



ASF
SHIP SUPPLY

GLOBAL MARINE SUPPLY SOLUTIONS

SPARE PARTS • TECHNICAL SUPPLY • FAST DELIVERY



SPARE PARTS



TECHNICAL
SUPPLY



FAST
DELIVERY



24/7 SUPPORT



ALL TURKISH PORTS



ENGINE
PARTS



HYDRAULIC
COMPONENTS



PUMPS &
COMPRESSORS



ELECTRICAL
EQUIPMENT



DECK & SAFETY
EQUIPMENT



TOOLS &
CONSUMABLES



ASF SHIP SUPPLY

MARINE HARDWARE & TECHNICAL SUPPLIES

MARINE HARDWARE & TECHNICAL EXCELLENCE

Complete Solutions Under One Roof From engine room essentials to deck fittings, we provide a comprehensive range of technical equipment for all vessel types. At ASF, we ensure your fleet operates with maximum safety and efficiency.

OUR COMMITMENT:



CERTIFIED QUALITY

Durable, IMO-compliant, and industry-tested products.



HIGH AVAILABILITY

Extensive stock for new builds or urgent spare parts.



RAPID DELIVERY

Fast logistics to minimize downtime and keep you sailing.



PRECISION



CONFIDENCE



RELIABILITY



EVERY VOYAGE



www.asfgemimakina.com



24/7 SUPPORT



ALL TURKISH PORTS



GLOBAL SUPPLY NETWORK



ASF SHIP TECHNICAL SUPPLY

Ship Provisions & Food Supply

OUR PRODUCT RANGE:



FRESH & FROZEN

Fruits, vegetables, dairy, and premium meat products.



DRY GOODS & BEVERAGES

Essential grains, canned goods, and bottled water.



SPECIALIZED DIETS

Halal, vegetarian, and custom dietary solutions.



HYGIENE ESSENTIALS

Professional cleaning and sanitation products.



FRESHNESS GUARANTEED

All supplies are stored under controlled conditions and handled according to international hygiene standards (HACCP compliant).



**RELIABLE PROVISIONING –
FRESHLY DELIVERED TO YOUR ANCHOR.**





ASF SHIP TECHNICAL SUPPLY

MARINE MOORING SYSTEM

COMPLETE MOORING SOLUTIONS

High quality and durable mooring equipment designed for safe and reliable operations in all marine conditions.



FAIRLEADS

Guides mooring lines smoothly and reduces friction and wear.



BOW CHOCKS

Protects the hull and helps to lead mooring lines in the right direction.



TYPE A CHOCKS

Strong and reliable design for various mooring applications.



MOORING PANS

Used for securing mooring lines safely on deck.



DOUBLE BITTS

Ensures secure fastening of mooring lines with high holding capacity.



DOUBLE BOLLARDS

Robust construction for heavy duty mooring operations.



PREMIUM QUALITY

Built to last in demanding conditions.



HIGH STRENGTH

Designed for maximum strength and durability.



CORROSION RESISTANT

Long lasting protection in marine environment.



RELIABLE PERFORMANCE

Tested and trusted for safe operations.



Address: Yunus Mah. Atölyeler Sok.
No:3 Kartal-İSTANBUL/TÜRKİYE



Gsm: +90 531 668 78 16



Pbx: +90 216 232 32 37



Email: info@asfshipsupply.com
info@asfgemimakina.com





ASF SHIP TECHNICAL SUPPLY

MARINE FAIRLEAD / GUIS CABLES Y ESPIAS - ROLLERS

RELIABLE SOLUTIONS FOR SAFE MOORING OPERATIONS

High quality fairleads, rollers and mooring equipment designed to ensure smooth operation, reduce friction and enhance the safety of your vessel.



FAIRLEADS

Smooth and durable design to guide mooring lines and reduce wear.



GUIS CABLES

Protects mooring lines from chafing and ensures safe operations.



ROLLERS

Facilitates smooth line movement and minimizes friction.



3-ROLLER FAIRLEAD

Designed for heavy duty applications and efficient line management.



HEAVY DUTY ROLLERS

Built for high strength and long lasting performance.



DOUBLE ROLLER

Ensures safe mooring with stable and reliable performance.



PREMIUM QUALITY

Manufactured from high grade materials for maximum durability.



HIGH STRENGTH

Designed to withstand heavy loads and harsh marine conditions.



CORROSION RESISTANT

Coated and treated for excellent resistance in marine environment.



RELIABLE PERFORMANCE

Tested and trusted for safe and efficient mooring operations.



ASF SHIP TECHNICAL SUPPLY

CHAIN STOPPER - FRENOS CADENA

RELIABLE HOLDING. MAXIMUM SAFETY.

High quality chain stopper and accessories designed to secure anchor chains effectively and ensure safe anchoring operations in all marine conditions.



CHAIN STOPPER

Secures the anchor chain and prevents movement during anchoring.



BRAKE UNIT

Reliable braking system for controlled holding and safe operation.



PELICAN HOOK

Strong and durable hook for connecting chain and accessories.



KENTER SHACKLE

Used for connecting chain components and ensuring secure assembly.



CHAIN STOPPER IN USE

Ensures smooth and safe anchoring by holding the chain firmly in place.



TURNBUCKLE & FITTINGS

Adjustable fittings for chain tensioning and secure mooring connections.



PREMIUM QUALITY

Manufactured from high grade materials for long lasting performance.



HIGH STRENGTH

Built to withstand heavy loads and harsh marine environments.



CORROSION RESISTANT

Coated and treated for excellent corrosion resistance.



SAFE & RELIABLE

Designed to ensure maximum safety and operational efficiency.





ASF SHIP TECHNICAL SUPPLY

CHAIN STOPPER - FRENOS CADENA

RELIABLE HOLDING. MAXIMUM SAFETY.

High quality chain stopper and mooring equipment designed to secure anchor chains effectively and ensure safe anchoring operations in all marine conditions.



DOUBLE BOLLARD

Designed for securing mooring lines with high holding capacity.



T HEAD BOLLARD

Ideal for heavy duty mooring applications and chain management.



CROSS BOLLARD

Provides secure fastening and smooth operation for mooring lines.



MOORING BOLLARD

Robust construction for long lasting performance in marine environments.



CHAIN GUIDE

Ensures smooth movement of anchor chain and reduces wear and tear.



LOW PROFILE BOLLARD

Low profile design for maximum deck space and efficient operation.

Nominal Dia.	Max. Breaking Load of Applicable Wire KN(T)	Max. Dia. Of Steel Rope mm	Applicable Rope			H	B	h	D	D1	D2	D3	d	Weight (kg)	
			Steel Wire Rope	Synthetic Fiber Rope	Hemp Rope									A	B
150	117(12)	13.0	30	44	480	460	280	168	114	206	158	240	A	31	
													B	33	
200	225(26)	19.5	45	64	560	520	320	219	168	260	210	280	A	62	
													B	66	
250	382(39)	26.0	56	80	640	610	360	273	219	310	260	340	A	96	
													B	105	
300	549(56)	30.0	70	104	680	660	380	325	273	360	310	400	A	143	
													B	153	
350	686(70)	34.5	77	120	720	720	420	351	273	400	314	440	A	192	
													B	204	



HIGH STRENGTH
Built to withstand heavy loads and harsh conditions.



CORROSION RESISTANT
Coated and treated for excellent resistance in marine environment.



DURABLE & RELIABLE
Engineered for long service life and minimal maintenance.



SAFE ANCHORING
Ensures secure anchoring operations for all types of vessels.



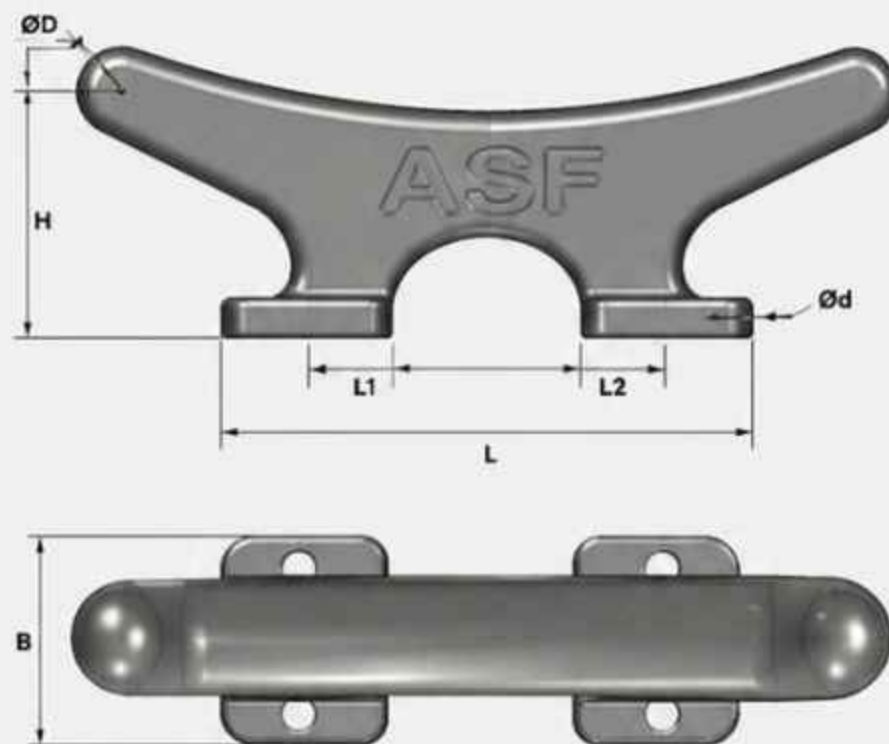


ASF SHIP TECHNICAL SUPPLY



ASF CAST FAIRLEAD (RAM'S HORN): 10 TON SWL DECK FITTING

High quality cast steel fairlead (ram's horn) for marine deck applications.
Designed to lead mooring lines safely and efficiently. Built to withstand heavy loads and harsh marine environments.



GENERAL INFORMATION

TYPE	ASF Cast Fairlead (Ram's Horn)
SAFE WORKING LOAD (SWL)	10 Ton
MATERIAL	Cast Steel (High Tensile)
FINISH	Galvanized / Painted
APPLICATION	Mooring Lines, Towing Lines, Anchoring Operations
DESIGN STANDARD	Based on ISO 13729, BS EN 15614-1 and Good Marine Practice
MANUFACTURER	ASF GEMİ MAKİNA
ORIGIN	TÜRKİYE

FEATURES

- ✓ Robust cast steel construction for maximum strength and durability
- ✓ Smooth horn profile to reduce line wear and chafing
- ✓ Corrosion resistant with galvanized or painted finish
- ✓ Designed for easy installation on deck
- ✓ Suitable for a wide range of mooring and towing applications
- ✓ Complies with IMO MSC.1/Circ.1448 and relevant class rules

APPLICATIONS

- Mooring Lines
- Towing Lines
- Offshore Platforms
- Deck Machinery
- General Marine Use

NOTES

- SWL (Safe Working Load) is based on direct pull.
- Not to be used for lifting applications.
- Regular inspection and maintenance is recommended.

DIMENSIONS (mm)

PRODUCT CODE	SWL (TON)	L	H	B	L1	L2	ØD (HORN)	Ød (BOLT HOLE)	WEIGHT (kg)
ASF-FR10	10	600	200	120	200	200	Ø55	Ø22	28.0

Note: Dimensions are approximate and may vary slightly with production tolerances.

TECHNICAL PROPERTIES

PROPERTY	VALUE
Material	Cast Steel (GS-C25 or Equivalent)
Surface Treatment	Hot Dip Galvanized (Min. 85 µm) or Epoxy Painted
Hardness	HB 150 - 220
Working Temperature	-20°C to +60°C
Proof Load	1.5 x SWL (15 Ton)
Breaking Load	≥ 3 x SWL (30 Ton)

INSTALLATION

- 1 Position the fairlead on the deck in the desired location.
- 2 Mark the bolt hole positions.
- 3 Drill holes to match the bolt diameter (Ød).
- 4 Apply approved marine sealant around the base.
- 5 Secure the fairlead using suitable bolts, washers and nuts. Tighten bolts evenly to recommended torque.

RECOMMENDED BOLTS & TORQUE

BOLT SIZE	QUALITY	QTY	RECOMMENDED TORQUE (Nm)
M20	8.8 / A2-70	2	180 - 200

TEST & CERTIFICATION

- ✓ Proof load tested to 1.5 x SWL.
- ✓ All units are inspected and quality controlled.
- ✓ Test certificate can be provided upon request.

SAFE WORKING LOAD INFORMATION



SWL is the maximum load that the fairlead is designed to withstand under normal service conditions.

RELATED PRODUCTS



BOLLARDS



TUGGER WINCHES



MOORING ROPES



CHAIN & ACCESSORIES



SHACKLES



DECK FITTINGS



ANCHORS



Email: info@asfshupply.com
info@asfgemimakina.com



www.asfshupply.com





ASF SHIP TECHNICAL SUPPLY

ROPES - ESPIAS

QUALITY ROPES FOR MARINE APPLICATIONS

Our wide range of high performance ropes are designed to deliver strength, durability and reliability in all marine environments.



POLYPROPYLENE ROPE

Lightweight, floats on water and resistant to most chemicals and abrasion.



MANILA ROPE

Natural fiber rope with excellent strength, ideal for general marine use.



MARINE NYLON ATLAS ROPE

High strength and elasticity with excellent resistance to abrasion and UV exposure.



DOUBLE PLY ROPE

Durable and flexible construction for heavy duty applications.



6 STRAND POLYAMIDE ROPE

High tenacity and shock absorption, ideal for mooring and towing operations.



FILAMENT 6 PLY ROPE

Strong and abrasion resistant rope with excellent knot strength and durability.

www.asfgemimakina.com



HIGH STRENGTH
Engineered to withstand heavy loads and harsh marine conditions.



UV & CHEMICAL RESISTANCE
Resistant to UV rays and most chemicals for long lasting performance.



FLEXIBLE & DURABLE
Flexible construction ensures easy handling and long service life.



RELIABLE PERFORMANCE
Trusted by marine professionals worldwide.



ASF SHIP TECHNICAL SUPPLY

CHAIN CABLES - CADENAS

HIGH STRENGTH CHAIN CABLES FOR MARINE APPLICATIONS

Our chain cables are manufactured to international standards, offering high strength, durability and excellent resistance to wear and corrosion in all marine environments.



Anma Çapı	Adım		Genişlik		Dişç. Uzunluğu			Ağırlık Kg/m	Ç.S. Yüğü KN min	Den. Yüğü KN min	Kop. Yüğü KN min	Eğil. r min.	
	d	tol.	r c	tol.	b2 min	b1 max	11x						tol.
4	±0.2	16	+1.3 -2.2	4.4	8	176	+0.0	-0.4 -0.4	0.32	200	5	12.5	2
5	±0.2	18.5	+1.4	5.0	10	23±2.5	+0.0	-0.5	0.52	250	6	12.5	3
6	±0.2	22	+1.9	6.2	12	23±2.5	+0.0	-0.5	0.8	400	10	16	5
7	±0.3	22	+1.0	7.2	14	28±3.5	+0.0	-0.5	1.1	600	15	18	5
9	±0.3	24	+1.0	8.4	16	28±3.5	+0.0	-0.6	1.4	800	20	22	7
9	±0.4	27	+1.0	9.8	20	29±4	+1.2	-0.6	1.8	1000	25	24	7
10	±0.4	31	+1.0	11.2	22	39±4	+1.2	-0.7	2.3	1250	32	29	9
11	±0.4	31	+1.0	13.2	22	34±4	+1.5	-0.7	2.7	1500	40	30	9
12	±0.5	31	+1.0	13.2	24	34±4	+1.5	-0.8	3.1	1800	45	36	11
13	±0.5	34	+1.0	14.2	26	37±4	+1.5	-0.8	3.6	2000	50	40	11
14	±0.6	34	+3.0	15.6	28	37±4	+1.5	-0.9	4.0	2250	56	45	13
16	±0.6	45	+3.0	17.8	32	48±5	+2.3	-1.1	5.1	3200	80	63	15
18	±0.7	50	+3.4	20.2	36	54±5	+2.3	-1.2	6.4	4300	100	68	15
20	±0.8	56	+3.4	22.4	40	60±6	+2.3	-1.3	8.0	5000	125	75	19
22	±0.8	61	+3.0	24.6	48	66±6	+2.3	-1.4	9.6	6300	160	85	19
24	±0.9	71	+3.0	26.8	48	78±6	+2.3	-1.6	11.5	8000	200	90	22
26	±0.9	73	+3.0	28.2	52	78±6	+2.3	-1.6	13.2	9000	260	100	22

CHAIN CONNECTOR PLATE

High strength connector plate used for joining chain cables securely in mooring and towing applications.



HIGH STRENGTH
Manufactured from high quality steel for maximum strength and durability.



CORROSION RESISTANT
Special coating and heat treatment ensure excellent resistance to corrosion and harsh conditions.



WEAR RESISTANT
Engineered for long lasting performance with excellent wear resistance.



RELIABLE PERFORMANCE
Designed to meet international marine standards for safe and reliable mooring operations.



Email: info@asfshipsupply.com
info@asfgemimakina.com



www.asfshipsupply.com

im pa International Marine Purchasing Association



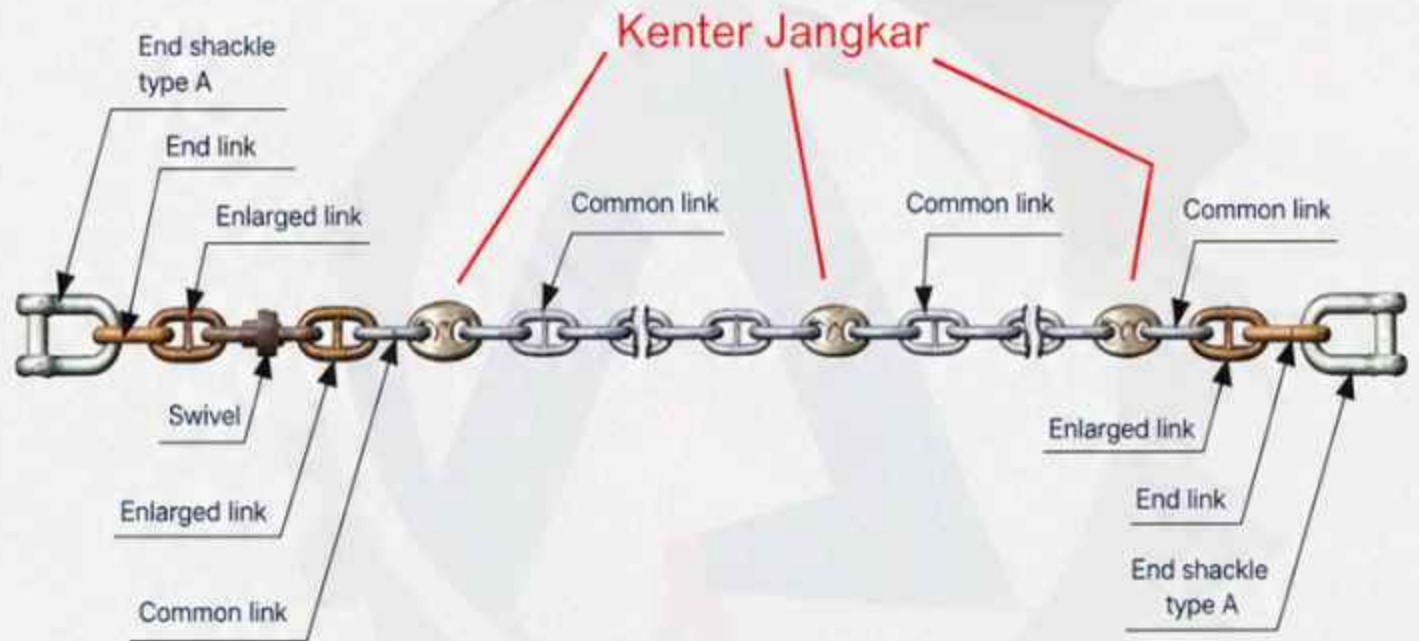


ASF SHIP TECHNICAL SUPPLY

ANCHOR CHAIN ARRANGEMENT

STANDARD ANCHOR CHAIN CONFIGURATION

According to marine class requirements



ANCHOR

High holding power anchors designed for all types of marine vessels.



ANCHOR CHAIN

High strength and wear resistant anchor chains manufactured to international standards.



CONNECTORS

Shackles, end links and connecting components ensuring safe and reliable moorings.



HIGH STRENGTH

Manufactured from high quality steel for maximum strength and durability.



CORROSION RESISTANT

Special coating and treatment ensure excellent resistance to corrosion and harsh marine conditions.



WEAR RESISTANT

Engineered for long lasting performance with excellent wear resistance.



RELIABLE PERFORMANCE

Designed to meet international marine standards for safe and reliable mooring operations.





ASF SHIP TECHNICAL SUPPLY

CHAIN CABLES - CADENAS



SWIVEL EYE & EYE

Allows chain to rotate freely and prevents twisting and kinking.



SWIVEL JAW & EYE

Flexible connection between chain and components.



SWIVEL ANCHOR

Strong and durable swivel used for anchor connections.



CONNECTING LINK

Used to connect two chain ends or connect accessories.



KENTER SHACKLE

Used to join chain and anchor securely in mooring systems.

Endlink on Top Kenter: カンテラ-ジョイント
Kenter (AB: カンテラ&W) Kenter: カンテラタイプ
20 - 11 - 80

Dimension		Unit: mm	
Φ	Φ	Φ	Φ
A	420	875	1,324
B	110	0	0
C	0	0	0
D	0	0	0
E	0	0	0
F	0	0	0
G	0	0	0
H	0	0	0
I	0	0	0
J	0	0	0
K	0	0	0
L	0	0	0
M	0	0	0
N	0	0	0
O	0	0	0
P	0	0	0
Q	0	0	0
R	0	0	0
S	0	0	0
T	0	0	0
U	0	0	0
V	0	0	0
W	0	0	0
X	0	0	0
Y	0	0	0
Z	0	0	0
AA	0	0	0
AB	0	0	0
AC	0	0	0
AD	0	0	0
AE	0	0	0
AF	0	0	0
AG	0	0	0
AH	0	0	0
AI	0	0	0
AJ	0	0	0
AK	0	0	0
AL	0	0	0
AM	0	0	0
AN	0	0	0
AO	0	0	0
AP	0	0	0
AQ	0	0	0
AR	0	0	0
AS	0	0	0
AT	0	0	0
AU	0	0	0
AV	0	0	0
AW	0	0	0
AX	0	0	0
AY	0	0	0
AZ	0	0	0
BA	0	0	0
BB	0	0	0
BC	0	0	0
BD	0	0	0
BE	0	0	0
BF	0	0	0
BG	0	0	0
BH	0	0	0
BI	0	0	0
BJ	0	0	0
BK	0	0	0
BL	0	0	0
BM	0	0	0
BN	0	0	0
BO	0	0	0
BP	0	0	0
BQ	0	0	0
BR	0	0	0
BS	0	0	0
BT	0	0	0
BU	0	0	0
BV	0	0	0
BW	0	0	0
BX	0	0	0
BY	0	0	0
BZ	0	0	0
CA	0	0	0
CB	0	0	0
CC	0	0	0
CD	0	0	0
CE	0	0	0
CF	0	0	0
CG	0	0	0
CH	0	0	0
CI	0	0	0
CJ	0	0	0
CK	0	0	0
CL	0	0	0
CM	0	0	0
CN	0	0	0
CO	0	0	0
CP	0	0	0
CQ	0	0	0
CR	0	0	0
CS	0	0	0
CT	0	0	0
CU	0	0	0
CV	0	0	0
CW	0	0	0
CX	0	0	0
CY	0	0	0
CZ	0	0	0
DA	0	0	0
DB	0	0	0
DC	0	0	0
DD	0	0	0
DE	0	0	0
DF	0	0	0
DG	0	0	0
DH	0	0	0
DI	0	0	0
DJ	0	0	0
DK	0	0	0
DL	0	0	0
DM	0	0	0
DN	0	0	0
DO	0	0	0
DP	0	0	0
DQ	0	0	0
DR	0	0	0
DS	0	0	0
DT	0	0	0
DU	0	0	0
DV	0	0	0
DW	0	0	0
DX	0	0	0
DY	0	0	0
DZ	0	0	0
EA	0	0	0
EB	0	0	0
EC	0	0	0
ED	0	0	0
EE	0	0	0
EF	0	0	0
EG	0	0	0
EH	0	0	0
EI	0	0	0
EJ	0	0	0
EK	0	0	0
EL	0	0	0
EM	0	0	0
EN	0	0	0
EO	0	0	0
EP	0	0	0
EQ	0	0	0
ER	0	0	0
ES	0	0	0
ET	0	0	0
EU	0	0	0
EV	0	0	0
EW	0	0	0
EX	0	0	0
EY	0	0	0
EZ	0	0	0
FA	0	0	0
FB	0	0	0
FC	0	0	0
FD	0	0	0
FE	0	0	0
FF	0	0	0
FG	0	0	0
FH	0	0	0
FI	0	0	0
FJ	0	0	0
FK	0	0	0
FL	0	0	0
FM	0	0	0
FN	0	0	0
FO	0	0	0
FP	0	0	0
FQ	0	0	0
FR	0	0	0
FS	0	0	0
FT	0	0	0
FU	0	0	0
FV	0	0	0
FW	0	0	0
FX	0	0	0
FY	0	0	0
FZ	0	0	0
GA	0	0	0
GB	0	0	0
GC	0	0	0
GD	0	0	0
GE	0	0	0
GF	0	0	0
GG	0	0	0
GH	0	0	0
GI	0	0	0
GJ	0	0	0
GK	0	0	0
GL	0	0	0
GM	0	0	0
GN	0	0	0
GO	0	0	0
GP	0	0	0
GQ	0	0	0
GR	0	0	0
GS	0	0	0
GT	0	0	0
GU	0	0	0
GV	0	0	0
GW	0	0	0
GX	0	0	0
GY	0	0	0
GZ	0	0	0
HA	0	0	0
HB	0	0	0
HC	0	0	0
HD	0	0	0
HE	0	0	0
HF	0	0	0
HG	0	0	0
HH	0	0	0
HI	0	0	0
HJ	0	0	0
HK	0	0	0
HL	0	0	0
HM	0	0	0
HN	0	0	0
HO	0	0	0
HP	0	0	0
HQ	0	0	0
HR	0	0	0
HS	0	0	0
HT	0	0	0
HU	0	0	0
HV	0	0	0
HW	0	0	0
HX	0	0	0
HY	0	0	0
HZ	0	0	0
IA	0	0	0
IB	0	0	0
IC	0	0	0
ID	0	0	0
IE	0	0	0
IF	0	0	0
IG	0	0	0
IH	0	0	0
II	0	0	0
IJ	0	0	0
IK	0	0	0
IL	0	0	0
IM	0	0	0
IN	0	0	0
IO	0	0	0
IP	0	0	0
IQ	0	0	0
IR	0	0	0
IS	0	0	0
IT	0	0	0
IU	0	0	0
IV	0	0	0
IW	0	0	0
IX	0	0	0
IY	0	0	0
IZ	0	0	0
JA	0	0	0
JB	0	0	0
JC	0	0	0
JD	0	0	0
JE	0	0	0
JF	0	0	0
JG	0	0	0
JH	0	0	0
JI	0	0	0
JJ	0	0	0
JK	0	0	0
JL	0	0	0
JM	0	0	0
JN	0	0	0
JO	0	0	0
JP	0	0	0
JK	0	0	0
JL	0	0	0
JM	0	0	0
JN	0	0	0
JO	0	0	0
JP	0	0	0
JK	0	0	0
JL	0	0	0
JM	0	0	0
JN	0	0	0
JO	0	0	0
JP	0	0	0
JK	0	0	0
JL	0	0	0
JM	0	0	0
JN	0	0	0
JO	0	0	0
JP	0	0	0
JK	0	0	0
JL	0	0	0
JM	0	0	0
JN	0	0	0
JO	0	0	0
JP	0	0	0
JK	0	0	0
JL	0	0	0
JM	0	0	0
JN	0	0	0
JO	0	0	0
JP	0	0	0
JK	0	0	0
JL	0	0	0
JM	0	0	0
JN	0	0	0
JO	0	0	0
JP	0	0	0
JK	0	0	0
JL	0	0	0
JM	0	0	0
JN	0	0	0
JO	0	0	0
JP	0	0	0
JK	0	0	0
JL	0	0	0
JM	0	0	0
JN	0	0	0
JO	0	0	0
JP			

ASF SHIP TECHNICAL SUPPLY

LIFTING HOOKS & RIGGING EQUIPMENT

HIGH STRENGTH HOOKS FOR MARINE & INDUSTRIAL APPLICATIONS

Our lifting hooks are manufactured from high quality alloy steel, heat treated and tested to ensure maximum strength, durability and safety in demanding marine and industrial environments.



EYE HOOK

For general lifting applications.



SWIVEL HOOK

360° rotation for flexible lifting.



SAFETY HOOK

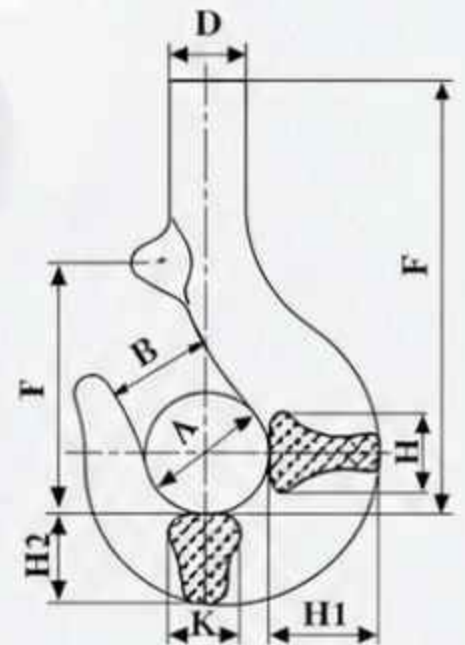
Safety latch design for secure lifting.



CLEVIS HOOK

For use with chain or wire rope.

TECHNICAL DIMENSIONS



DIMENSION UNIT : mm

SIZE	WLL (T)	B	D	F	H	H1	K
6-7	1.12	20	13	89	19	29	22
8-10	2.00	26	16	111	23	37	28
13-14	3.15	32	20	146	28	46	36
16-18	5.30	38	24	183	33	53	43
20-22	8.00	45	28	219	40	60	50
26-28	12.50	57	33	266	50	72	60
32	15.00	63	36	300	57	82	68

• Other sizes available upon request.



SELF LOCKING HOOK

Automatic locking for extra safety.



FOUNDRY HOOK

Wide throat opening for easy handling.



GRAB HOOK

Strong and durable for heavy loads.



SLING HOOK

Ideal for slings and webbings.



HIGH LOAD CAPACITY

Designed to handle heavy loads with maximum safety.



SAFETY LOCK

Equipped with safety latch to prevent accidental release.



DURABLE STEEL

Made from premium alloy steel, forged and heat treated.



CERTIFIED QUALITY

Manufactured and tested to meet international quality standards.





ASF SHIP TECHNICAL SUPPLY

LIFTING EQUIPMENT

HIGH PERFORMANCE LIFTING CLAMPS

Our lifting clamps are engineered for safe and efficient handling of heavy loads in marine, offshore and industrial applications.



**PDB HORIZONTAL
LIFTING CLAMP**

- ✓ For horizontal lifting and transport of steel plates.
- ✓ Large jaw opening for wide range of plate thickness.
- ✓ High strength alloy steel construction.
- ✓ Safe and reliable locking mechanism.



**QT OIL DRUM
CLAMP**

- ✓ Designed for vertical lifting of steel oil drums.
- ✓ Automatic locking mechanism for secure grip.
- ✓ Lightweight and easy to operate.
- ✓ Safe lifting of full or empty drums.



**CDH VERTICAL
LIFTING CLAMP**

- ✓ For vertical lifting and transport of steel plates.
- ✓ Compact and lightweight for easy handling.
- ✓ High safety factor and durable design.
- ✓ Locking device for extra safety.

TYPICAL APPLICATIONS



Shipbuilding
& Repair



Offshore
& Oil Industry



Steel Mills
& Fabrication



Heavy Lifting
Operations



HIGH SAFETY

Engineered for safe lifting with high safety factor and reliability.



STRONG GRIP

Specially designed jaws provide maximum grip on loads.



DURABLE CONSTRUCTION

Made from high quality alloy steel for long service life.



QUALITY ASSURED

Manufactured and tested in accordance with international standards.





ASF SHIP TECHNICAL SUPPLY

MARINE LADDERS & ACCESS SYSTEMS

Designed for safe and efficient boarding operations, our marine ladders comply with international maritime standards, ensuring durability, stability, and operational safety in all conditions.



ACCOMMODATION LADDER

Ideal for safe access between ship and platform. Durable construction with anti-slip steps.



TELESCOPIC ACCOMMODATION LADDER

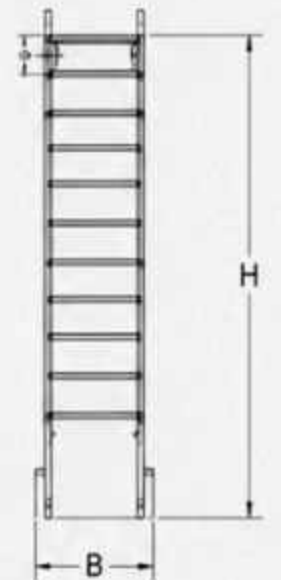
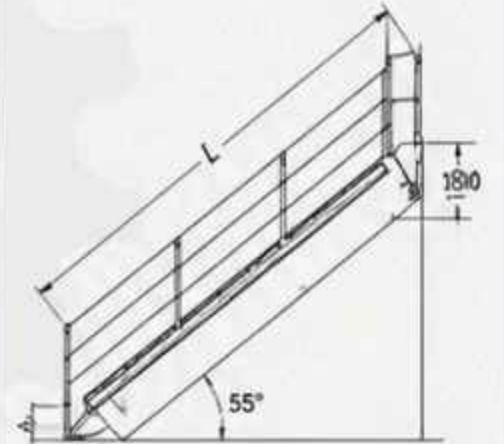
Adjustable length for various ship access heights. Strong, lightweight and easy to operate.



PILOT LADDER SYSTEM

IMO compliant pilot ladder for safe embarkation and disembarkation. Strong and reliable construction.

TECHNICAL LAYOUT & DIMENSIONS



DIMENSIONS (mm)

TYPE	L (Max)	H (Max)	B	W
ACCOMMODATION LADDER	4000	2200	600	800
TELESCOPIC LADDER	5800	2700	600	800
PILOT LADDER	1850	-	500	-

* Dimensions can be customized upon request.



IMO COMPLIANT

Manufactured in accordance with IMO and international maritime standards.



ANTI-SLIP SURFACE

Steps with special anti-slip surface for maximum safety in all weather conditions.



CORROSION RESISTANT

Made from high quality marine grade materials resistant to corrosion.



SAFE BOARDING

Engineered for stability and secure boarding operations.

TYPICAL APPLICATIONS



SHIPBUILDING & REPAIR



OFFSHORE OPERATIONS



VESSEL BOARDING



PORT & TERMINAL ACCESS





ASF SHIP TECHNICAL SUPPLY

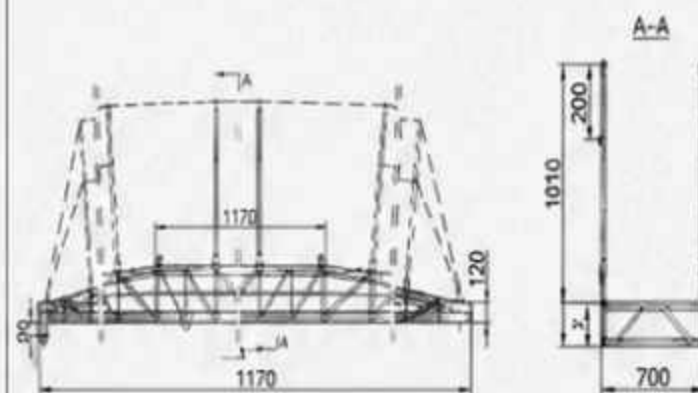
LADDERS

MARINE ALUMINUM FOLDABLE GANWAY

Lightweight and durable aluminum construction.
 Foldable design for easy storage and transport.
 Non-slip steps for maximum safety.
 Corrosion resistant for marine environment.



TECHNICAL DRAWINGS



Drawing of Fully-fixed Type Marine Aluminum Alloy Wharf Ladder

SPECIFICATIONS

Type	Fully-Fixed Type Marine Aluminum Wharf Ladder
Material	Aluminum Alloy
Step Width	200 mm
Total Width	700 mm
Height (H)	1010 mm
Top Platform Length (A)	1170 mm
Load Capacity	150 kg
Application	Ship – Wharf – Marine
Features	Foldable, Non-slip, Corrosion Resistant



LIGHTWEIGHT ALUMINUM ALLOY

High strength aluminum alloy ensures durability and long service life.



ANTI-SLIP STEPS

Wide non-slip steps provide safe and comfortable use.



CORROSION RESISTANT

Built to withstand marine environment and harsh conditions.



FOLDABLE DESIGN

Compact foldable structure for easy storage and handling.

OTHER LADDER SOLUTIONS



ALUMINUM ACCOMMODATION LADDER



TELESCOPIC GANGWAY



PILOT LADDER

TYPICAL APPLICATIONS



SHIP TO WHARF ACCESS



MARINE OPERATIONS



SHIPYARD USE



STORAGE & MAINTENANCE



OFFSHORE FACILITIES



ASF SHIP TECHNICAL SUPPLY

HATCHES - ESCOTILLAS

BUILT FOR SAFETY. ENGINEERED TO LAST.

Our marine hatches are designed for weathertight and watertight performance, ensuring safety and durability in all marine conditions. Manufactured from high quality steel with corrosion resistant coating.



WATERTIGHT DESIGN

Ensures maximum protection against water ingress and harsh marine environments.



DURABLE CONSTRUCTION

Built from high quality steel with corrosion resistant coating for long service life.



EASY OPERATION & SAFETY

Ergonomic handwheel and locking system for safe and quick access.



CUSTOM SIZES AVAILABLE

Custom dimensions and type options available to meet project requirements.

SPECIFICATIONS

Material	Mild Steel / Stainless Steel
Coating	Primer + Marine Paint
Type	Weathertight / Watertight
Operation	Handwheel
Opening Angle	0° - 180°
Gasket	Rubber Seal
Standard	Comply with IMO & IACS Requirements
Application	Deck, Bulkhead, Engine Room, Tank Top, Cargo Hold
Optional	Hydraulic / Quick Acting Locking System

TYPES OF HATCHES



RECTANGULAR HATCH



ROUND HATCH



OVAL HATCH



LOW PROFILE HATCH

TYPICAL APPLICATIONS



CARGO HOLDS



ENGINE ROOM ACCESS



TANK TOP ACCESS



DECK & BULKHEAD OPENINGS



MARINE & OFFSHORE APPLICATIONS



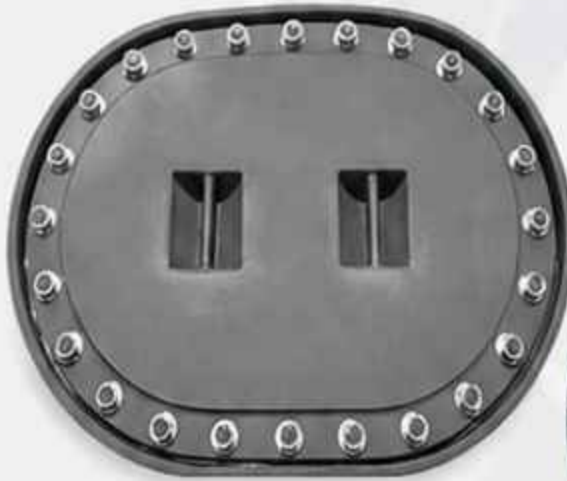
ASF SHIP TECHNICAL SUPPLY

MONHOLES

STRONG. SECURE. SEA READY.

Our marine manholes are engineered for weathertight integrity and easy access to enclosed spaces.

Built from high quality steel with durable coatings, they ensure safety and reliability in all marine conditions.



WEATHERTIGHT PERFORMANCE

Designed to prevent water ingress and ensure watertight integrity.



DURABLE CONSTRUCTION

Manufactured from high quality steel with excellent strength and durability.



EASY ACCESS & OPERATION

Ergonomic handles provide safe and easy opening and closing.



CORROSION RESISTANT

Coated with marine grade primer and paint for superior corrosion protection.

SPECIFICATIONS

Material	Mild Steel / Stainless Steel
Type	Oval Manhole
Standard	Comply with IMO & IACS Requirements
Operation	Handle / Dog Type
Opening Angle	Max 90°
Coating	Primer + Marine Paint
Gasket	Rubber Seal
Bolt Type	Hex / Square Head
Application	Deck, Bulkhead, Tank Top, Engine Room, Void Spaces
Size Range	Custom Sizes Available on Request

TYPES OF MANHOLES



OVAL TYPE
(DOUBLE HANDLE)



OVAL TYPE
(SIDE HANDLE)



OVAL TYPE
(FLUSH COVER)

TYPICAL APPLICATIONS



DECK & BULKHEAD ACCESS



ENGINE ROOM ACCESS



TANK TOP ACCESS



VOID SPACE ACCESS



MARINE & OFFSHORE APPLICATIONS



ASF SHIP TECHNICAL SUPPLY

INSULATION

HIGH PERFORMANCE MARINE INSULATION SOLUTIONS

Our insulation materials are designed to provide excellent thermal efficiency, fire resistance, noise reduction and protection for marine and offshore applications.



1 CALCIUM SILICATE BOARD

High temperature resistant board with excellent fire performance and low thermal conductivity.



2 ROCK WOOL BOARD

Excellent thermal and acoustic insulation. Fire resistant and suitable for various applications.



3 GLASS WOOL ROLL

Flexible and lightweight insulation roll. Provides excellent thermal and acoustic performance.



4 INSULATION BLANKET

Removable and reusable blanket for piping, equipment and complex shapes.



5 CERAMIC FIBER BLANKET

High temperature insulation blanket. Excellent thermal stability and low heat storage.

KEY BENEFITS



THERMAL EFFICIENCY
Reduces heat transfer and improves energy efficiency.



FIRE RESISTANCE
Non-combustible materials ensure maximum fire safety.



NOISE REDUCTION
Helps to reduce noise and vibration levels.



MOISTURE RESISTANT
Resistant to moisture, water and harsh marine conditions.



DURABLE & RELIABLE
Long lasting performance in demanding environments.

TECHNICAL SPECIFICATIONS

NO.	PRODUCT	MATERIAL	MAX. TEMP. (°C)	DENSITY (kg/m ³)	THICKNESS (mm)	APPLICATIONS
1	CALCIUM SILICATE BOARD	Calcium Silicate	1000	250 - 300	25 - 100	Bulkheads, Decks, Ducts, Engine Room
2	ROCK WOOL BOARD	Rock Wool	750	80 - 160	30 - 100	Bulkheads, Ceilings, Ducts, Piping
3	GLASS WOOL ROLL	Glass Wool	450	12 - 48	25 - 100	Decks, Bulkheads, Cabins, Ventilation
4	INSULATION BLANKET	Fiberglass / Rock Wool	550	80 - 120	25 - 50	Pipes, Valves, Turbines, Equipment
5	CERAMIC FIBER BLANKET	Ceramic Fiber	1260	128 - 160	10 - 50	Boilers, Exhausts, High Temp. Equipment

TYPICAL APPLICATIONS



ENGINE ROOM INSULATION



PIPE & VALVE INSULATION



EXHAUST SYSTEM INSULATION



BULKHEAD & DECK INSULATION



HVAC & DUCT INSULATION



OFFSHORE & MARINE APPLICATIONS



ASF SHIP TECHNICAL SUPPLY

BASAS SALVADVIDAS

SAFETY. RELIABILITY. SURVIVAL.

Our liferafts are designed and manufactured in accordance with international standards to ensure maximum safety, durability and performance in emergency situations.



KEY FEATURES



SOLAS & IMO COMPLIANT

Manufactured in accordance with SOLAS & IMO standards.



HIGH CAPACITY OPTIONS

Available in various capacities to suit all vessel types.



DURABLE & STRONG MATERIAL

Made from high quality materials resistant to harsh marine conditions.



EASY DEPLOYMENT

Designed for quick and safe deployment in emergency.



COMPACT INTORAGE

Compact and lightweight design for easy stowage and maintenance.

APPLICATIONS



PASSENGER SHIPS



CARGO VESSELS



OFFSHORE PLATFORMS



FISHING VESSELS



YACHTS & LEISURE BOATS

TECHNICAL SPECIFICATIONS

TYPE	CAPACITY (PERSONS)	CANOPY TYPE	FLOOR TYPE	PACK TYPE	APPROVAL	SERVICE INTERVAL	STOWAGE HEIGHT (mm)	STOWAGE DIAMETER (mm)	WEIGHT (kg)
4 PERSON	4	SINGLE CANOPY	INSULATED	CONTAINER	SOLAS / IMO	ANNUAL	500	720	35
6 PERSON	6	SINGLE CANOPY	INSULATED	CONTAINER	SOLAS / IMO	ANNUAL	550	750	42
8 PERSON	8	SINGLE CANOPY	INSULATED	CONTAINER	SOLAS / IMO	ANNUAL	560	780	50
10 PERSON	10	SINGLE CANOPY	INSULATED	CONTAINER	SOLAS / IMO	ANNUAL	580	820	58
12 PERSON	12	DOUBLE CANOPY	INSULATED	CONTAINER	SOLAS / IMO	ANNUAL	600	860	66
16 PERSON	16	DOUBLE CANOPY	INSULATED	CONTAINER	SOLAS / IMO	ANNUAL	620	900	78
20 PERSON	20	DOUBLE CANOPY	INSULATED	CONTAINER	SOLAS / IMO	ANNUAL	650	970	92
25 PERSON	25	DOUBLE CANOPY	INSULATED	CONTAINER	SOLAS / IMO	ANNUAL	680	1050	108

* Specifications may vary depending on manufacturer and customization.

STANDARD EQUIPMENT



PADDLES



HAND PUMP



SEA ANCHOR



REPAIR KIT



WHISTLE



WATER COLLECTOR



FIRST AID KIT



BUOYANT KNIFE



INSTRUCTION MANUAL





ASF SHIP TECHNICAL SUPPLY



LSA LIFE SAVING APPLIANCES

SAFETY EQUIPMENT YOU CAN TRUST.

Our LSA products are designed to meet international marine safety standards, ensuring maximum protection, reliability and performance in emergency situations.



LIFE JACKET

High buoyancy life jacket with whistle, light, lifting loop and reflective tapes for maximum safety.



LIFE VEST

Lightweight and comfortable life vest. Designed for freedom of movement and high visibility.



IMMERSION SUIT

Thermal protection suit provides survival in cold water conditions. Keeps body warm and safe.



SURVIVAL SUIT

Made from high quality materials. Provides protection in extreme marine conditions.



WORK SUIT

Durable work suit for marine and industrial applications. Water resistant and strong.



LIFE BUOY LIGHT

Self-igniting lifebuoy light with high visibility. Ensures quick location in the dark.



LIFE JACKET (SOLAS)

SOLAS approved life jacket with high buoyancy for passenger and crew safety.



LIFE VEST (SOLAS)

SOLAS approved life vest with high buoyancy and whistle for emergency situations.



LIFE BUOY

SOLAS approved lifebuoy with retro reflective tapes and floating rope.



SMOKE SIGNAL

Buoyant smoke signal for distress situations. High visibility smoke.



FLOATING LIGHT

Automatic floating light for life jackets. Activates on water contact.

KEY FEATURES



SOLAS COMPLIANT

All products meet SOLAS & IMO requirements.



HIGH SAFETY STANDARDS

Manufactured to international marine safety standards.



DURABLE & RELIABLE

Built for harsh marine environments and long-term use.



EASY TO USE

Designed for quick and effective use in emergencies.



COMPACT STORAGE

Easy to store and maintain on board all types of vessels.

LSA EQUIPMENT STANDARDS

Compliance	SOLAS 1974 / IMO
Applications	All Types of Vessels
Storage	Indoor / Outdoor
Service Interval	As per SOLAS / IMO
Certification	Approved by Classification Societies
Quality Assurance	ISO 9001 Certified
Marking	SOLAS / Approval Mark
Packing	Standard Export Packing

TYPICAL APPLICATIONS



PASSENGER SHIPS



CARGO VESSELS



OFFSHORE PLATFORMS



FISHING VESSELS



YACHTS & LEISURE BOATS



ALL TYPES OF MARINE VESSELS



ASF SHIP TECHNICAL SUPPLY

HOSES MANGUERAS - FIRE EXTINGUISHER

FIRE HOSES



RUBBER FIRE HOSE

High quality rubber fire hose with excellent flexibility and abrasion resistance. Suitable for marine and industrial use.



FIRE HOSE REEL

Manual fire hose reel for wall or deck mounting. Sturdy construction and easy to operate.



PU LAYFLAT HOSE

Lightweight PU layflat hose with high tensile strength. Resistant to aging, ozone and chemicals.



PVC FIRE HOSE

PVC fire hose with polyester yarn reinforcement. Lightweight, kink resistant and easy to handle.

FIRE EXTINGUISHERS



DRY POWDER EXTINGUISHERS

Effective on Class A, B and C fires. Available in various capacities. Reliable performance and easy maintenance.



WHEELED POWDER EXTINGUISHER

Large capacity wheeled type. Ideal for industrial areas, ports and ship decks.



CO₂ FIRE EXTINGUISHER

Effective on electrical and liquid fires. Clean agent leaves no residue.



DRY POWDER EXTINGUISHER

High efficiency powder extinguisher for multiple fire classes.



FOAM EXTINGUISHER

Ideal for Class A and B fires. Excellent for use on liquids and solids.



CO₂ EXTINGUISHER

Carbon dioxide extinguisher for electrical and flammable liquid fires.

KEY FEATURES



HIGH SAFETY STANDARDS

All products comply with international marine safety standards.



DURABLE & RELIABLE

Manufactured from high quality materials for long service life in harsh conditions.



EASY TO USE

Designed for quick deployment and effective fire protection.



MARINE APPROVED

Suitable for all types of vessels and offshore installations.



LOW MAINTENANCE

Easy inspection, service and maintenance.

TECHNICAL SPECIFICATIONS

PRODUCT	STANDARD	WORKING PRESSURE	SIZE / CAPACITY	APPLICATION
Rubber Fire Hose	SOLAS / MED	16 bar	1½" - 2¼"	General Fire Fighting
PU Layflat Hose	SOLAS / MED	10 bar	1½" - 4"	Fire & Deck Washing
PVC Fire Hose	SOLAS / MED	13 bar	1½" - 3"	Marine & Industrial Use
Dry Powder Ext.	EN3 / SOLAS	15 - 17 bar	1 - 12 kg	A, B, C Fires
CO ₂ Extinguisher	EN3 / SOLAS	50 - 60 bar	2 - 9 kg	B, C & Electrical Fires
Foam Extinguisher	EN3 / SOLAS	15 - 17 bar	6 - 9 L	A, B Fires

TYPICAL APPLICATIONS



PASSENGER SHIPS



CARGO VESSELS



OFFSHORE PLATFORMS



INDUSTRIAL FACILITIES



OIL & GAS INSTALLATIONS



PORTS & TERMINALS



SHIPYARDS & WORKSHOPS





ASF SHIP TECHNICAL SUPPLY



LIFTING EQUIPMENT

High-performance lifting equipment designed for safe and efficient handling of heavy loads in marine, offshore, and industrial applications. Built for durability, strength and maximum safety.



ELECTRIC CHAIN HOIST

High-performance electric chain hoist designed for heavy-duty operations with precise control and high safety standards.



MULTI-LEG CHAIN SLING

Engineered for balanced lifting of heavy loads with multiple connection points for stability and strength.



HOOK TYPE CHAIN SLING

Durable lifting solution equipped with safety hooks for secure and efficient load handling.

LIFTING ACCESSORIES



HOOKS

High-strength forged hooks designed for safe and reliable lifting operations.



SHACKLES

Heavy-duty shackles providing secure connections for lifting and rigging applications.



SWIVELS

Rotating connectors preventing twisting and improving operational safety.

KEY FEATURES

- HIGH LOAD CAPACITY**
Designed to handle heavy loads with maximum safety.
- CERTIFIED LIFTING EQUIPMENT**
Complies with international safety standards.
- WEAR & CORROSION RESISTANT**
Built for long-lasting performance in harsh environments.
- MARINE GRADE MATERIALS**
High quality materials suitable for marine and offshore use.
- SAFE LOCKING MECHANISMS**
Equipped with safety locks for secure operations.

TECHNICAL SPECIFICATIONS

PRODUCT	CAPACITY	MATERIAL	STANDARD	APPLICATION
ELECTRIC CHAIN HOIST	1 - 10 TON	ALLOY STEEL	ISO / CE	LIFTING
CHAIN SLING (MULTI-LEG)	1 - 20 TON	ALLOY STEEL	EN 818-4	RIGGING
CHAIN SLING (HOOK TYPE)	1 - 20 TON	ALLOY STEEL	EN 818-4	RIGGING
LIFTING HOOKS	VARIOUS	FORGED STEEL	DIN 15401	LOAD HANDLING
SHACKLES	VARIOUS	FORGED STEEL	US FED SPEC	CONNECTION
SWIVELS	SWNOUS	ALLOY STEEL	ISO	ROTATION CONTROL

TYPICAL APPLICATIONS



SHIPYARDS



CARGO VESSELS



OFFSHORE PLATFORMS



INDUSTRIAL FACILITIES



PORTS & TERMINALS





ASF SHIP TECHNICAL SUPPLY



CHAIN BLOCK

High quality chain blocks designed for safe and efficient lifting operations. Robust construction, reliable performance and easy to use in marine, industrial and offshore environments.



LEVER CHAIN BLOCK

Compact and lightweight design with lever operation for easy and efficient lifting and pulling. Suitable for various industrial applications.



MANUAL CHAIN BLOCK

Durable and reliable manual chain block for safe lifting. Strong steel construction ensures long life and high performance.



ELECTRIC CHAIN BLOCK

Heavy duty electric chain block for high capacity lifting. Smooth operation, low maintenance and high safety standards.



DOUBLE CHAIN BLOCK

Double chain system for enhanced safety and stability. Ideal for heavy loads and demanding working conditions.

KEY FEATURES



HIGH STRENGTH
Manufactured from high grade steel for maximum strength and durability.



SAFE & RELIABLE
Designed with safety mechanisms to ensure secure and stable lifting operations.



EASY OPERATION
Smooth and efficient operation for reduced effort and increased productivity.







QUALITY ASSURED
Complies with international standards and tested for maximum performance.



LOW MAINTENANCE
Robust design for long service life and minimal maintenance requirements.

TECHNICAL SPECIFICATIONS

TYPE	CAPACITY (TON)	LIFT HEIGHT (m)	CHAIN FALLS	LOAD CHAIN DIAMETER (mm)	APPLICATION
 LEVER CHAIN BLOCK	0.75 - 9	1.5 - 6	1	6 - 9	General Lifting & Pulling
 MANUAL CHAIN BLOCK	0.5 - 20	3 - 12	1 - 6	6 - 10	Industrial & Marine Use
 ELECTRIC CHAIN BLOCK	0.5 - 50	3 - 30	1 - 6	6 - 13	Heavy Duty Lifting
 DOUBLE CHAIN BLOCK	1 - 20	3 - 12	2	8 - 10	Heavy Load Applications

TYPICAL APPLICATIONS



SHIPYARDS



CARGO VESSELS



OFFSHORE PLATFORMS



INDUSTRIAL FACILITIES



PORTS & TERMINALS



WAREHOUSES & WORKSHOPS





ASF SHIP TECHNICAL SUPPLY



LIFTING ACCESSORIES

High-quality lifting accessories designed for safe, secure and efficient operations. Manufactured from premium materials to ensure durability, strength and long service life in marine and industrial environments.



EYE BOLT / EYE NUT

Forged eye bolts and nuts used for lifting applications. High strength and corrosion resistance.



MASTER LINK

High strength master links for connecting chain slings and lifting assemblies. Reliable and durable.



LIFTING EYE NUT

Designed for safe lifting operations. Manufactured from high-grade steel.



PAD EYE

Heavy duty pad eyes for securing and lifting. Suitable for marine and industrial use.



WELD-ON D RING

Weld-on lifting point for secure attachment. High load capacity and long-lasting performance.



SUB ASSEMBLY LINK

Connects master link to sling legs. Ensures balance and stability in lifting operations.



TRIANGULAR RING

Triangular ring for lifting and tensioning applications. Strong and reliable construction.



BOW SHACKLE

Strong bow shackle with safety pin. Ideal for lifting and rigging applications.



D SHACKLE

Heavy duty D shackle designed for secure connections and high load applications.

KEY FEATURES

- HIGH STRENGTH**
 Manufactured from premium steel for maximum strength and durability.
- SAFE & RELIABLE**
 Engineered for safe lifting operations with secure and stable performance.
- CORROSION RESISTANT**
 Surface treated for excellent corrosion resistance in marine environments.
- QUALITY ASSURED**
 Complies with international standards and tested for maximum performance.
- WIDE APPLICATION**
 Suitable for a wide range of marine, offshore and industrial lifting applications.

TECHNICAL SPECIFICATIONS

PRODUCT	MATERIAL	WORKING LOAD LIMIT	FINISH	STANDARD
EYE BOLT / EYE NUT	CARBON STEEL	0.1 - 10 TON	GALVANIZED	DIN 580 / 582 ASME B18.15
MASTER LINK	ALLOY STEEL	1 - 32 TON	GALVANIZED	EN 1677-4
LIFTING EYE NUT	CARBON STEEL	0.2 - 10 TON	GALVANIZED	DIN 582
PAD EYE	CARBON STEEL	0.5 - 12 TON	BLACK PAINTED	DIN 12255
WELD-ON D RING	ALLOY STEEL	1 - 20 TON	PAINTED	EN 1677-1
SUB ASSEMBLY LINK	ALLOY STEEL	2 - 31.5 TON	PAINTED	EN 1677-4
TRIANGULAR RING	CARBON STEEL	1 - 16 TON	ZINC PLATED	DIN 5687
BOW SHACKLE	ALLOY STEEL	0.5 - 25 TON	GALVANIZED	EN 13889
D SHACKLE	ALLOY STEEL	0.5 - 25 TON	PAINTED	EN 13889

TYPICAL APPLICATIONS



SHIPYARDS



CARGO VESSELS



OFFSHORE
PLATFORMS



INDUSTRIAL
FACILITIES



PORTS &
TERMINALS



WAREHOUSES &
WORKSHOPS

www.asfgemimakina.com





ASF SHIP TECHNICAL SUPPLY



HYDRANTS - VALVULAS PARA GRIFOS

High quality hydrants (valves for taps) designed for marine and industrial applications. Built for durability, corrosion resistance and reliable performance in demanding environments.



STRAIGHT PATTERN HYDRANT

Straight pattern hydrant for general purpose applications. Durable and corrosion resistant design.



ANGLE PATTERN HYDRANT

Angle pattern hydrant with angled outlet for improved flow and easy installation.



90° ANGLE PATTERN HYDRANT

90 degree angle pattern hydrant for efficient water flow and space saving installation.



FLANGE TYPE HYDRANT

Flange type hydrant for secure mounting and enhanced stability. Ideal for deck installations.

KEY FEATURES

- CORROSION RESISTANT**
Manufactured from high quality materials for long service life.
- HIGH DURABILITY**
Robust construction ensures reliable performance in harsh environments.
- EASY OPERATION**
Smooth operation with precise valve control.
- SECURE & RELIABLE**
Designed to prevent leakage and ensure safe operation.
- WIDE APPLICATION**
Suitable for marine, industrial and offshore applications.

TECHNICAL SPECIFICATIONS

TYPE	MATERIAL	INLET	OUTLET	WORKING PRESSURE	STANDARD	APPLICATION
STRAIGHT PATTERN HYDRANT	BRASS	BSP / NPT 1½"	BSP 2½"	16 BAR	DIN 14461	General Water Supply
ANGLE PATTERN HYDRANT	BRASS	BSP / NPT 1½"	BSP 2½"	16 BAR	DIN 14461	Marine & Industrial Use
90° ANGLE PATTERN HYDRANT	BRASS / GUN METAL	BSP / NPT 1½"	BSP 2½"	16 BAR	DIN 14461	Deck & Space Saving Installations
FLANGE TYPE HYDRANT	BRASS / GUN METAL	FLANGED PN16	BSP 2½"	16 BAR	DIN 14461	Deck Installations

TYPICAL APPLICATIONS



SHIPYARDS



CARGO VESSELS



OFFSHORE PLATFORMS



INDUSTRIAL FACILITIES



PORTS & TERMINALS



MARINE & COASTAL AREAS





ASF SHIP TECHNICAL SUPPLY



VALVES - VALVULAS

High quality valves designed for marine and industrial applications.

Reliable performance, durable construction and easy operation in demanding environments.



GATE VALVE

Reliable shut-off valve for various industrial applications. Strong and durable design.



GLOBE VALVE

Used for regulating flow and pressure. Provides accurate flow control.



CHECK VALVE

Prevents backflow in piping systems. Automatic operation ensures safety.



KNIFE GATE VALVE

Suitable for slurry and viscous fluids. Ensures smooth and reliable operation.



ANGLE VALVE

Designed for angular flow control. Ideal for marine and industrial applications.



CAST IRON VALVE

Cost-effective solution for general service. Excellent strength and performance.



STAINLESS STEEL VALVE

Corrosion resistant valve for marine and chemical applications. Long service life.



DIAPHRAGM VALVE

Ideal for corrosive and abrasive fluids. Provides tight shut-off and durability.



PRESSURE RELIEF VALVE

Protects systems from overpressure. Ensures safety and prevents equipment damage.



BRONZE VALVE

High corrosion resistance and reliability. Perfect for marine and seawater services.

KEY FEATURES

- HIGH DURABILITY**
Manufactured from high quality materials for long service life.
- CORROSION RESISTANT**
Suitable for marine, industrial and corrosive environments.
- RELIABLE PERFORMANCE**
Designed for stable operation under high pressure and temperature conditions.
- EASY MAINTENANCE**
Simple design for easy installation and maintenance.
- QUALITY ASSURED**
Tested and certified to meet international standards.

TECHNICAL SPECIFICATIONS

TYPE	MATERIAL	SIZE RANGE	PRESSURE RATING	END CONNECTION	STANDARD	APPLICATION
GATE VALVE	CAST IRON / DUCTILE IRON	DN15 - DN600 (1/2" - 24")	PN10 / PN16	FLANGED	DIN / BS / JIS	Water, Oil, General Service
GLOBE VALVE	CAST STEEL / STAINLESS STEEL	DN15 - DN400 (1/2" - 16")	PN16 / PN25	FLANGED	DIN / BS / JIS	Steam, Water, Oil
CHECK VALVE	CAST IRON / BRONZE	DN15 - DN400 (1/2" - 16")	PN10 / PN16	FLANGED	DIN / BS / JIS	Water, Steam, Oil
KNIFE GATE VALVE	CAST IRON / STAINLESS STEEL	DN50 - DN600 (2" - 24")	PN10 / PN16	WAFER / FLANGED	DIN / BS / JIS	Slurry, Wastewater, Pulp
ANGLE VALVE	CAST IRON / BRONZE	DN15 - DN150 (1/2" - 6")	PN10 / PN16	FLANGED	DIN / BS / JIS	Marine, Water, General Service
CAST IRON VALVE	CAST IRON	DN15 - DN300 (1/2" - 12")	PN10 / PN16	FLANGED	DIN / BS / JIS	Water, Air, General Service
STAINLESS STEEL VALVE	STAINLESS STEEL (SS304 / SS316)	DN15 - DN300 (1/2" - 12")	PN16 / PN25	FLANGED	DIN / BS / JIS	Chemical, Marine, Corrosive Fluids
DIAPHRAGM VALVE	DUCTILE IRON / STAINLESS STEEL	DN15 - DN200 (1/2" - 8")	PN10 / PN16	FLANGED	DIN / BS / JIS	Chemical, Corrosive Fluids
PRESSURE RELIEF VALVE	BRASS / BRONZE	DN15 - DN100 (1/2" - 4")	PN16	FLANGED / THREADED	DIN / BS / JIS	Steam, Air, Water Systems
BRONZE VALVE	BRONZE	DN15 - DN300 (1/2" - 8")	PN10 / PN16	FLANGED	DIN / BS / JIS	Seawater, Marine, Oil

TYPICAL APPLICATIONS



SHIPYARDS



CARGO VESSELS



MARINE SYSTEMS



INDUSTRIAL PLANTS



WATER TREATMENT



OIL & GAS



HVAC SYSTEMS



FIRE FIGHTING





ASF SHIP TECHNICAL SUPPLY



VALVULAS BUTTERFLY

High quality butterfly valves designed for marine and industrial applications. Reliable sealing, lightweight design, easy operation and long service life in demanding environments.



WAFER BUTTERFLY VALVE

Compact wafer design for easy installation between flanges. Suitable for general purpose applications.



LUG BUTTERFLY VALVE

Lug type design for end of line service. Provides excellent sealing and high pressure resistance.



GEAR OPERATED BUTTERFLY VALVE

Gear operated for easy and precise control. Ideal for large size and high pressure applications.



FLANGED BUTTERFLY VALVE

Flanged connection ensures strong and leak-proof performance. Suitable for various industrial systems.



HIGH PERFORMANCE BUTTERFLY VALVE

High performance design with lever operation. Provides tight shut-off and reliable performance.



PNEUMATIC ACTUATED BUTTERFLY VALVE

Pneumatic actuator for automatic operation. Ensures reliability and efficiency in control systems.



TRIPLE OFFSET BUTTERFLY VALVE

Triple offset design ensures zero leakage and longer service life. Ideal for high temperature service.



RESILIENT SEATED BUTTERFLY VALVE

Resilient seat provides tight sealing and corrosion resistance. Suitable for water and chemical applications.



DOUBLE ECCENTRIC BUTTERFLY VALVE

Double eccentric design reduces wear and ensures superior sealing performance. Ideal for heavy duty use.

KEY FEATURES

- HIGH DURABILITY**
Manufactured from high quality materials for long service life.
- EXCELLENT SEALING**
Tight shut-off and low leakage design.
- EASY OPERATION**
Lightweight and easy to operate.
- CORROSION RESISTANT**
Suitable for marine, industrial and corrosive environments.
- QUALITY ASSURED**
Tested and certified to meet international standards.

TECHNICAL SPECIFICATIONS

TYPE	CONNECTION	SIZE RANGE	PRESSURE RATING	MATERIAL	APPLICATION
WAFER BUTTERFLY VALVE	"WAFE" ENDS	DN50 - DN1200 (2" - 48")	PN10 / PN16	DUCTILE IRON / SS / CS	Water, Air, General Service
LUG BUTTERFLY VALVE	"LUG ENDS	DN50 - DN1200 (2" - 48")	PN10 / PN16	DUCTILE IRON / SS / CS	Water, Air, General Service
GEAR OPERATED BUTTERFLY VALVE	WAFER / LUG / FLANGED	DN100 - DN2000 (4" - 80")	PN10 / PN16 / PN25	DUCTILE IRON / SS / CS	Large Size Applications
FLANGED BUTTERFLY VALVE	"FLANGED ENDS	DN50 - DN2000 (2" - 80")	PN10 / PN16 / PN25	DUCTILE IRON / SS / CS	Marine, Industrial, Piping Systems
PNEUMATIC ACTUATED BUTTERFLY VALVE	WAFER / LUG / FLANGED	DN50 - DN1200 (2" - 48")	PN10 / PN16	DUCTILE IRON / SS / CS	Automation Systems
TRIPLE OFFSET BUTTERFLY VALVE	"FLANGED ENDS	DN50 - DN2000 (2" - 80")	PN10 / PN16 / PN25 / PN40	CARBON STEEL / STAINLESS STEEL	High Temp., High Pressure
RESILIENT SEATED BUTTERFLY VALVE	WAFER / LUG / FLANGED	DN50 - DN1200 (2" - 48")	PN10 / PN16	DUCTILE IRON / EPDM / NBR	Water, HVAC, Chemical
DOUBLE ECCENTRIC BUTTERFLY VALVE	"FLANGED ENDS	DN80 - DN2000 (3" - 80")	PN16 / PN25 / PN40	CARBON STEEL / STAINLESS STEEL	Steam, Oil, Gas Systems

TYPICAL APPLICATIONS



SHIPYARDS



CARGO VESSELS



MARINE SYSTEMS



INDUSTRIAL PLANTS



WATER TREATMENT



OIL & GAS



HVAC SYSTEMS



FIRE FIGHTING





ASF SHIP TECHNICAL SUPPLY



NOZZLE - TOBERAS

High performance nozzles designed for marine, industrial and fire fighting applications. Precision engineered for efficient flow, durability and long service life.



JET NOZZLE

Adjustable jet nozzle for direct and powerful water stream. Suitable for fire fighting and industrial applications.



STRAIGHT NOZZLE

Provides a solid straight stream with excellent reach and impact. Ideal for general purpose use.



MULTI PURPOSE NOZZLE

Versatile nozzle with wide spray pattern control for various operational requirements.



BRANCH PIPE NOZZLE

Lightweight and durable branch pipe nozzle for quick operation and efficient flow control.



FOG NOZZLE

Delivers fine water fog for effective fire suppression and cooling. Ideal for marine and industrial use.

KEY FEATURES



HIGH DURABILITY

Manufactured from high quality brass and bronze materials for long service life.



CORROSION RESISTANT

Excellent resistance to corrosion and harsh marine environments.



EASY OPERATION

Ergonomic design for smooth and efficient operation.



LEAK PROOF






Precision sealing ensures leak proof performance under high pressure.



QUALITY ASSURED

Tested and certified to meet international standards.

TECHNICAL SPECIFICATIONS

TYPE	MATERIAL	INLET SIZE	FLOW RATE (L/MIN)	WORKING PRESSURE	SPRAY TYPE	APPLICATION
 JET NOZZLE	BRASS / BRONZE	1½"	200 - 400	16 BAR	JET	Fire Fighting Industrial
 STRAIGHT NOZZLE	BRASS / BRONZE	1½"	200 - 500	16 BAR	SOLID STREAM	Marine Industrial
 MULTI PURPOSE NOZZLE	BRASS / BRONZE	1½"	250 - 600	16 BAR	JET / SPRAY	Marine Industrial
 BRANCH PIPE NOZZLE	BRASS / BRONZE	1½"	250 - 600	16 BAR	JET / SPRAY	Fire Fighting Marine
 FOG NOZZLE	BRASS / BRONZE	2"	300 - 800	16 BAR	FOG / MIST	Fire Fighting Cooling

Note: Other sizes and materials are available upon request.

TYPICAL APPLICATIONS



SHIPYARDS



CARGO VESSELS



MARINE SYSTEMS



INDUSTRIAL PLANTS



FIRE FIGHTING



COOLING SYSTEMS





ASF SHIP TECHNICAL SUPPLY



FANS

High performance marine and industrial fans designed for efficient ventilation, durability and reliable operation in demanding environments. Suitable for all types of ships, offshore and industrial applications.



AXIAL FAN

Axial flow fan designed for high airflow and low noise operation. Ideal for general ventilation and air circulation applications.



TUBULAR FAN

Tubular type fan with compact construction for efficient air movement in confined spaces. Suitable for ship and industrial use.



DUCT FAN

Duct mounting fan with strong performance and durability. Suitable for exhaust, supply and general ventilation systems.

KEY FEATURES

- HIGH EFFICIENCY**
 Designed for maximum airflow with minimum energy consumption.
- CORROSION RESISTANT**
 Manufactured from marine grade materials for long service life in harsh environments.
- DURABLE CONSTRUCTION**
 Heavy duty construction ensures reliability and minimum maintenance.
- LOW NOISE OPERATION**
 Optimized blade design reduces noise and vibration levels.
- WIDE APPLICATION**
 Suitable for marine, offshore and industrial ventilation requirements.

TECHNICAL SPECIFICATIONS

TYPE	AIRFLOW (m ³ /h)	DIAMETER (mm)	STATIC PRESSURE (Pa)	POWER (kW)	SPEED (RPM)	VOLTAGE (V)	APPLICATION
AXIAL FAN (Direct Drive)	1,000 - 30,000	250 - 1,000	50 - 300	0.18 - 7.5	1,400	220 / 380 / 440	General Ventilation
AXIAL FAN (Belt Drive)	5,000 - 100,000	315 - 1,200	80 - 500	0.75 - 15	1,400	220 / 380 / 440	Engine Room Ventilation
TUBULAR FAN	1,500 - 50,000	200 - 800	100 - 600	0.37 - 11	1,400	220 / 380 / 440	Ducted Ventilation
DUCT FAN	2,000 - 60,000	250 - 900	70 - 450	0.55 - 11	1,400	220 / 380 / 440	Exhaust / Supply Ventilation
EXPLOSION PROOF AXIAL FAN	1,000 - 25,000	250 - 800	50 - 300	0.37 - 7.5	1,400	220 / 380 / 440	Hazardous Area Ventilation
HIGH TEMPERATURE FAN	1,000 - 20,000	250 - 800	100 - 500	0.55 - 7.5	1,400	220 / 380 / 440	High Temp. Applications

Note: Other sizes and performances are available upon request.

TYPICAL APPLICATIONS

- SHIPYARDS
- CARGO VESSELS
- MARINE SYSTEMS
- OFFSHORE PLATFORMS
- INDUSTRIAL FACILITIES
- ENGINE ROOM VENTILATION
- HVAC SYSTEMS
- OIL & GAS INSTALLATIONS

www.asfgemimakina.com





ASF SHIP TECHNICAL SUPPLY

ELECTRICAL



High quality electrical cables and wires designed for marine and industrial applications.
Reliable performance, fire resistance, durability and safety in demanding environments.



SICT FIRE RESISTANT SHIPBOARD INSTRUMENTATION CABLE

Fire resistant instrumentation cable for shipboard systems. Excellent performance and safety.



TXXI (IEC) LIGHT WEIGHT SHIPBOARD COMMUNICATION CABLE

Light weight communication cable with high flexibility and reliable signal transmission.



SXXI FIRE RESISTANCE SHIPBOARD POWER AND CONTROL CABLE

Fire resistant power and control cable for critical shipboard installations.



FA-TPYCY SHIPBOARD POWER AND LIGHTING CABLE 0.6/1KV

Power and lighting cable with overall screening for enhanced protection 0.6/1kV.



FA-DPYC SHIPBOARD POWER CABLE 0.6/1KV

Double layer screened power cable for shipboard power distribution 0.6/1kV.



FGCG CARGO SHIP MARINE POWER CABLE 0.6/1KV

Power cable for cargo ship applications. Durable and reliable under harsh marine conditions.



SHIPBOARD WIRE

Flexible shipboard wire for internal wiring applications. High conductivity and safety.



JIS C3410 COMMON SCREENED SHIPBOARD TELEPHONE CABLE

Common screened telephone cable for ship communication systems.



MARINE FIBER OPTIC CABLE

High performance fiber optic cable for marine communication and data transmission.



FIRE-RETARDANT SCREENED MARINE COMMUNICATION CABLES 250V

Fire-retardant screened communication cable for marine applications 250V.

KEY FEATURES



FIRE RESISTANT

Designed to maintain circuit integrity in fire conditions.



HIGH RELIABILITY

Ensures stable performance and long service life.



MARINE GRADE MATERIALS

Resistant to salt water, oil, chemicals and UV.



EXCELLENT CONDUCTIVITY

High conductivity copper conductor for efficient power transmission.



WIDE APPLICATION

Suitable for all types of ships, offshore and industrial use.

TECHNICAL SPECIFICATIONS

TYPE	VOLTAGE (V)	CONDUCTOR	INSULATION	SCREEN / ARMOR	TEMPERATURE RANGE	APPLICATION
SICT Fire Resistant Instrumentation Cable	300 / 500	Tinned Copper	XLPE	Overall Screen	-40°C ~ +90°C	Instrumentation & Control Systems
TXXI (IEC) Light Weight Communication Cable	300 / 500	Tinned Copper	XLPE	Overall Screen	-40°C ~ +90°C	Communication Systems
SXXI Fire Resistance Power & Control Cable	0.6 / 1kV	Copper	XLPE	Overall Screen	-40°C ~ +90°C	Power & Control Systems
FA-TPYCY Power & Lighting Cable	0.6 / 1kV	Copper	XLPE	Overall Screen	-40°C ~ +90°C	Power & Lighting Systems
FA-DPYC Power Cable	0.6 / 1kV	Copper	XLPE	Double Screen	-40°C ~ +90°C	Power Distribution Systems
FGCG Cargo Ship Marine Power Cable	0.6 / 1kV	Copper	XLPE	Overall Screen	-40°C ~ +90°C	Cargo Ship Power Systems
Shipboard Wire	450 / 750	Copper	PVC / XLPE	-	-30°C ~ +70°C	Internal Wiring Systems
JIS C3410 Telephone Cable	150 / 250	Tinned Copper	PE	Overall Screen	-30°C ~ +70°C	Telephone & Communication
Marine Fiber Optic Cable	-	Glass Fiber	PE	Armored	-40°C ~ +70°C	Data & Fiber Optic Communication
Fire-retardant Screened Comm. Cables 250V	250	Copper	PVC	Screened	-30°C ~ +70°C	Communication & Control Systems

TYPICAL APPLICATIONS



SHIPYARDS



CARGO VESSELS



OFFSHORE PLATFORMS



MARINE SYSTEMS



POWER DISTRIBUTION



COMMUNICATION SYSTEMS



INDUSTRIAL FACILITIES





ASF SHIP TECHNICAL SUPPLY



NAVIGATION LIGHTS

High quality navigation lights designed for marine and offshore applications.
Reliable performance, excellent visibility and long service life in all weather conditions.



ANCHOR LIGHT

360° white light for anchoring and mooring operations.



MASTHEAD LIGHT

225° white light visible from the front of the vessel.



SIDE LIGHTS

112.5° green (starboard) and red (port) lights. Compliant with COLREGs.



ALL-ROUND LIGHTS

360° visibility. Suitable for vessels underway.



HORIZON LIGHTS

Long range visibility with low power consumption.



DECK LIGHT

360° white light for deck and working areas.



STERN LIGHT

135° white light visible from the stern.



BI-COLOR LIGHTS

Combination of port (red) and starboard (green) in one unit.



TRICOLOR LIGHT

Red, green and white in one unit for power driven vessels.



SOLAR NAV. LIGHT

Solar powered LED navigation light with high efficiency.



LED NAV. LIGHT

Energy efficient LED light with long life and high visibility.

KEY FEATURES



HIGH VISIBILITY
High intensity LEDs and optical design ensure excellent visibility.



DURABLE CONSTRUCTION
Corrosion resistant materials and waterproof design for harsh marine environments.



WEATHER PROOF
IP66/IP67 rated for reliable performance in all weather conditions.



EASY INSTALLATION
Compact design and multiple mounting options for quick and easy installation.



COMPLIANCE
All lights comply with COLREGs and international marine standards.

TECHNICAL SPECIFICATIONS

TYPE	COLOR	VISIBILITY (DEGREE)	VOLTAGE (V)	POWER (W)	LIGHT SOURCE	MOUNTING	IP RATING	APPLICATION
ANCHOR LIGHT	WHITE	360°	12 / 24	10	LED	Deck / Pole	IP66	Anchoring / Mooring
MASTHEAD LIGHT	WHITE	225°	12 / 24	15	LED	Pole / Mast	IP66	Underway
SIDE LIGHTS (PORT / STBD)	RED / GREEN	112.5°	12 / 24	8	LED	Side Mount	IP66	Navigation
ALL-ROUND LIGHTS	WHITE	360°	12 / 24	15	LED	Pole / Deck	IP67	Underway
HORIZON LIGHTS	WHITE / RED / GREEN	360°	12 / 24	5	LED	Deck	IP66	Long Range
DECK LIGHT	WHITE	360°	12 / 24	10	LED	Deck	IP66	Deck Illumination
STERN LIGHT	WHITE	135°	12 / 24	10	LED	Transom	IP66	Navigation
BI-COLOR LIGHTS	RED / GREEN	112.5° / 112.5°	12 / 24	8	LED	Deck / Side	IP66	Navigation
TRICOLOR LIGHT	RED / GREEN / WHITE	112.5° / 112.5° / 225°	12 / 24	12	LED	Pole / Deck	IP66	Power Driven Vessels
SOLAR NAV. LIGHT	RED	360°	Solar	2	LED	Deck / Buoy	IP67	Buoy / Offshore
LED NAV. LIGHT	RED / WHITE	360°	12 / 24	5	LED	Deck	IP67	General Use

Note: Other voltages, colors and mounting types are available upon request.

TYPICAL APPLICATIONS



CARGO VESSELS



OFFSHORE VESSELS



TUG BOATS



FISHING VESSELS



YACHTS



PORTS & HARBORS



BUOYS & BEACONS





ASF SHIP TECHNICAL SUPPLY



LASHING

High quality lashing and securing components for safe and reliable cargo securing in containers, on deck and in holds. Manufactured to international standards for marine and industrial applications.



RAISED CLOVERLEAF LASHING POT

Used with lashing bars to secure containers and cargo on deck or in holds.



DOUBLE FLUSH ISO FOUNDATION

Provides secure seating for twistlocks. Complies with ISO standards.



CONTAINER CORNER FITTING

Used at container corners for lifting, securing and lashing operations.



CONTAINER FORGED STEEL LASHING EYE

High strength eye for lashing and securing cargo. Forged steel for durability.



CONTAINER FLUSH ISO FOUNDATION

Flush type ISO foundation for twistlock engagement. Strong and durable.



CONTAINER RAISED ISO FOUNDATION

Raised type foundation for improved twistlock engagement.



FLUSH LASHING POT

Flush mounted lashing pot for safe and effective cargo securing.



CONTAINER LASHING POT

Used with lashing bars and rods for securing containers and cargo.



LASHING BAR (TWISTLOCK BAR)

Used with lashing pots for securing containers and heavy cargo.

KEY FEATURES



HIGH STRENGTH

Manufactured from high grade steel for maximum strength and durability.



CORROSION RESISTANT

Surface treated or hot dip galvanized for superior corrosion resistance.



STANDARD COMPLIANT

Complies with ISO standards and major classification society requirements.



SECURE CARGO

Designed for safe and reliable lashing and securing of cargo.



WIDE APPLICATION

Suitable for containers, ships, offshore and industrial use.

TECHNICAL SPECIFICATIONS

PRODUCT	MATERIAL	FINISH	MBS (kN)	SWL (kN)	WEIGHT (kg)	STANDARD	APPLICATION
Raised Cloverleaf Lashing Pot	Cast Steel	Galvanized / Painted	200	100	2.20	ISO 1161	Deck Lashing
Double Flush ISO Foundation	Cast Steel	Galvanized / Painted	500	250	6.50	ISO 1161	Twistlock Foundation
Container Corner Fitting	Cast Steel	Galvanized / Painted	300	150	2.30	ISO 1161	Container Corner Securing
Container Forged Steel Lashing Eye	Forged Steel	Galvanized / Painted	250	125	1.60	ISO 1161	Lashing & Securing
Container Flush ISO Foundation	Cast Steel	Galvanized / Painted	500	250	4.80	ISO 1161	Twistlock Foundation
Container Raised ISO Foundation	Cast Steel	Galvanized / Painted	500	250	5.20	ISO 1161	Twistlock Foundation
Flush Lashing Pot	Cast Steel	Galvanized / Painted	200	100	2.10	ISO 1161	Deck Lashing
Container Lashing Pot	Cast Steel	Galvanized / Painted	250	125	2.70	ISO 1161	Cargo Securing
Lashing Bar (Twistlock Bar)	High Tensile Steel	Painted	600	300	9.00	ISO 3874	Container & Cargo Lashing

Note: Other sizes and finishes are available upon request.

TYPICAL APPLICATIONS



CONTAINER LASHING



DECK CARGO SECURING



HATCH COVER SECURING



OFFSHORE STRUCTURES



PROJECT CARGO



RO-RO OPERATIONS





ASF SHIP TECHNICAL SUPPLY



LASHING

High quality lashing equipment designed for safe and secure cargo handling, transportation and securing. Manufactured to meet international standards for marine and industrial applications.



WEBBING SLING

High strength polyester webbing sling. Lightweight, flexible and durable. Color coded for easy identification. Various capacities and lengths available.



SOFT LASHING

Flexible and abrasion resistant soft lashing for securing delicate and irregular shaped cargo. Easy to handle and reusable.



RATCHET LASHING STRAP

Heavy duty ratchet lashing strap with double J-hooks. High strength, easy tensioning and reliable locking mechanism for maximum safety.



TURNBUCKLE

Malleable forged turnbuckle for tensioning and adjusting lashing systems. Available in hook & hook, eye & eye and hook & eye types.



LOAD BINDER

Ratchet type load binder for securing chains and cargo. Provides safe and effective tensioning. Forged steel construction.



ROUND SLING

Endless round sling for lifting and lashing. High strength with maximum load capacity and minimum elongation.



LASHING BELT / WEBBING

Polyester lashing belt / webbing for general lashing and securing applications. Available in different widths, strengths and colors.



CAM BUCKLE STRAP

Cam buckle strap with strong hooks for light to medium duty lashing. Easy to use and cost effective solution.



WIRE ROPE LASHING

Steel wire rope lashing with thimble eyes and fittings. High strength and durability for heavy duty applications.

KEY FEATURES

- HIGH STRENGTH**
Made from premium materials for maximum strength and reliability.
- DURABLE & RELIABLE**
Designed to withstand harsh marine environments and heavy use.
- SAFE & SECURE**
Ensures safe lashing and securing of cargo during transportation.
- EASY TO USE**
User friendly design for quick installation and operation.
- STANDARD COMPLIANT**
Manufactured to comply with international marine and industrial standards.

TECHNICAL SPECIFICATIONS

PRODUCT	MATERIAL	WORKING LOAD LIMIT (WLL)	LENGTH / SIZE	BREAKING STRENGTH	STANDARD	APPLICATION
WEBBING SLING	POLYESTER	1 - 10 TON	1 - 10 M	5 - 50 TON	EN 1492-1	Lashing & Lifting
SOFT LASHING	POLYESTER	1 - 20 TON	1 - 20 M	5 - 60 TON	EN 12195-2	Cargo Securing
RATCHET LASHING STRAP	POLYESTER	1 - 10 TON	3 - 12 M	3 - 15 TON	EN 12195-2	Cargo Securing
TURNBUCKLE	CARBON STEEL	0.5 - 10 TON	M6 - M30	1 - 20 TON	DIN 1480	Tensioning
LOAD BINDER	ALLOY STEEL	6 - 13 MM CHAIN	10 - 13 MM	20 - 40 KN	EN 12195-3	Chain Securing
ROUND SLING	POLYESTER	1 - 20 TON	1 - 10 M	5 - 60 TON	EN 1492-2	Lashing & Lifting
LASHING BELT / WEBBING	POLYESTER	500 - 10,000 KG	25 - 100 MM	1 - 20 TON	EN 12195-2	Cargo Securing
CAM BUCKLE STRAP	POLYESTER	250 - 2000 KG	2 - 6 M	500 - 4000 KG	EN 12195-2	Light Duty Lashing
WIRE ROPE LASHING	STEEL WIRE ROPE	1 - 10 TON	1 - 20 M	5 - 50 TON	DIN 3078	Heavy Duty Lashing

Note: Other sizes, capacities and fittings are available upon request.

TYPICAL APPLICATIONS



CONTAINER LASHING



DECK CARGO SECURING



PROJECT CARGO



RO-RO OPERATIONS



OFFSHORE OPERATIONS



INDUSTRIAL USE





ASF SHIP TECHNICAL SUPPLY



BEARINGS

High quality bearings for marine and industrial applications. Engineered for reliability, durability and long service life in demanding environments.

Supplied to meet international standards and OEM specifications.



DEEP GROOVE BALL BEARING

Suitable for high speed and radial loads. Widely used in motors, pumps and general machinery.



CYLINDRICAL ROLLER BEARING

High radial load capacity. Ideal for heavy duty applications.



TAPERED ROLLER BEARING

Handles combined radial and axial loads. Used in gearboxes, wheels and marine equipment.



SPHERICAL ROLLER BEARING

Self-aligning capability. Compensates for shaft misalignment and reduces stress on equipment.



THRUST BALL BEARING

Designed to support axial loads in one direction. Used in marine gearboxes, steering systems and winches.



NEEDLE ROLLER BEARING

Compact design with high radial load capacity. Used in confined spaces and high speed applications.



ANGULAR CONTACT BEARING

Supports combined radial and axial loads. Suitable for high speed and precision applications.



THRUST ROLLER BEARING

Withstands heavy axial loads. Used in vertical shafts and marine propulsion systems.



SPHERICAL PLAIN BEARING

Allows angular movement and misalignment. Used in steering gear, linkages and cylinders.



MARINE BEARING UNIT

Pre-assembled bearing units with housing. Easy installation and reliable performance in marine environments.

KEY FEATURES

- HIGH RELIABILITY**
Manufactured from premium materials for long service life and dependable performance.
- HIGH LOAD CAPACITY**
Engineered to withstand high radial and axial loads in marine applications.
- CORROSION RESISTANT**
Surface treated and sealed bearings for protection against salt water and harsh environments.
- HIGH TEMPERATURE RESISTANT**
Suitable for high temperature operations and continuous duty applications.
- STANDARD COMPLIANT**
Complies with ISO, DIN, JIS and other international standards.

TECHNICAL SPECIFICATIONS

TYPE	BORE (mm)	OUTER DIAMETER (mm)	WIDTH (mm)	DYNAMIC LOAD RATING (kN)	STATIC LOAD RATING (kN)	SPEED LIMIT (RPM)	STANDARD	APPLICATION
Deep Groove Ball Bearing	20 - 120	47 - 215	14 - 40	7.2 - 123	3.8 - 66	3,500 - 12,000	ISO 15	Pumps, Motors, Generators
Cylindrical Roller Bearing	25 - 140	52 - 250	15 - 68	14 - 245	14 - 310	2,000 - 8,000	ISO 15	Gearboxes, Machinery
Tapered Roller Bearing	25 - 140	50 - 250	16 - 70	15 - 220	18 - 255	1,800 - 7,000	ISO 355	Wheel, Gearbox, Propeller Shaft
Spherical Roller Bearing	30 - 160	62 - 260	20 - 80	18 - 280	22 - 420	1,500 - 6,000	ISO 15	Heavy Machinery, Marine Equipment
Thrust Ball Bearing	25 - 120	47 - 190	12 - 45	9 - 110	12 - 150	2,000 - 6,000	ISO 1040	Gearboxes, Steering, Winches
Needle Roller Bearing	10 - 80	19 - 100	10 - 40	6 - 95	6 - 110	4,000 - 15,000	ISO 15	Constrained Spaces, High Speed
Angular Contact Bearing	20 - 110	47 - 200	14 - 40	7.5 - 105	6.2 - 85	3,000 - 10,000	ISO 15	Pumps, Motors, Spindles
Thrust Roller Bearing	30 - 150	62 - 240	16 - 70	20 - 260	28 - 420	1,200 - 5,000	ISO 355	Propulsion, Vertical Shafts
Spherical Plain Bearing	20 - 100	36 - 160	16 - 60	5 - 60	8 - 85	-	ISO 12240	Steering Gear, Linkages
Marine Bearing Unit	20 - 110	47 - 180	31 - 58	9 - 90	5 - 60	-	ISO 113	Marine Machinery, Conveyors

Note: Other sizes, types and special bearings are available upon request.

TYPICAL APPLICATIONS



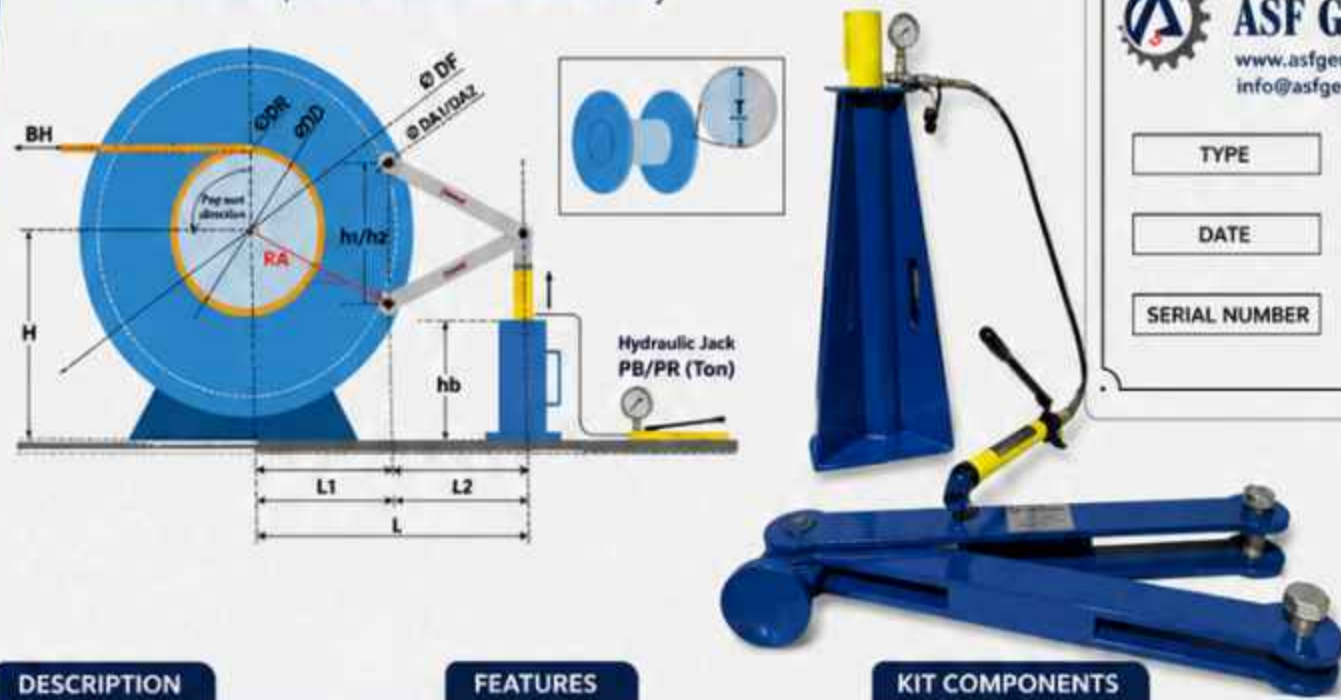


ASF SHIP TECHNICAL SUPPLY



BRAKE TEST KIT

Professional hydraulic brake test kit for measuring brake performance on marine winches, windlasses and deck machinery.



ASF GEMİ MAKİNA

www.asfgemimakina.com
info@asfgemimakina.com

TYPE	ASF700
DATE	NOVEMBER 2025
SERIAL NUMBER	K0001

DESCRIPTION

Hydraulic brake test kit is designed to accurately measure the braking force and efficiency of marine machinery brakes in accordance with IMO and class requirements.

The kit is suitable for winches, windlasses, capstans, cranes and other deck equipment.

FEATURES

- ✓ Hydraulic operation for accurate and safe testing
- ✓ High precision pressure gauge
- ✓ Robust and compact design
- ✓ Easy to operate and transport
- ✓ Supplied in a durable carrying case
- ✓ Calibration certificate included
- ✓ Complies with IMO MSC.1/Circ.1448 and relevant class rules

KIT COMPONENTS

HYDRAULIC JACK (PB/PR)	HYDRAULIC HAND PUMP	LOAD MEASURING ARM ASSEMBLY
PRESSURE GAUGE (0 - 1000 BAR)	ROPE / WIRE ROPE SHEAVE	CARRYING CASE

SPECIFICATIONS

MODEL	ASF700
MAX TEST LOAD	700 Ton
MAX PRESSURE	1000 Bar
HYDRAULIC JACK CAPACITY	50 / 100 / 200 / 300 Ton (Interchangeable)
PRESSURE GAUGE RANGE	0 - 1000 Bar
ACCURACY	± 1.0% FS
OPERATING TEMPERATURE	-20°C to +60°C
TESTING STANDARD	IMO MSC.1/Circ.1448
MATERIAL	High Strength Steel
FINISH	Epoxy Painted
WEIGHT (COMPLETE KIT)	Approx. 45 kg
DIMENSIONS (CASE)	1200 x 400 x 260 mm

APPLICATION

- Winches
- Windlasses
- Capstans
- Cranes
- Other Deck Machinery

HOW IT WORKS

- 1 Install the rope / wire on the sheave and around the brake drum.
- 2 Connect the load measuring arm to the hydraulic jack.
- 3 Apply hydraulic pressure to the brake.
- 4 Read the pressure value on the gauge.
- 5 Calculate the brake force using the formula.

$$\text{Brake Force (Ton)} = \frac{P \times A \times R_A}{R_D}$$

Where:

- P = Pressure (Bar)
- A = Effective Area of Hydraulic Jack (cm²)
- R_A = Load Arm Radius (m)
- R_D = Drum Radius (m)

TYPICAL TEST SETUP

<ol style="list-style-type: none"> 1 Install rope on drum and sheave. 	<ol style="list-style-type: none"> 2 Connect load arm to hydraulic jack. 	<ol style="list-style-type: none"> 3 Pump hydraulic pressure. 	<ol style="list-style-type: none"> 4 Read pressure on gauge. 	<ol style="list-style-type: none"> 5 Calculate brake force and evaluate.
--	---	--	---	---

SAFETY NOTES

- Ensure equipment is in good condition before use.
- Wear appropriate PPE during testing.
- Do not exceed the maximum rated pressure.
- Follow manufacturer's instructions.

www.asfgemimakina.com



Email: info@asfshipsupply.com
info@asfgemimakina.com



www.asfshipsupply.com





ASF SHIP TECHNICAL SUPPLY

impa International
Marine
Purchasing
Association

GLOBAL MARINE SOLUTIONS & TECHNICAL SUPPLY

ASF Ship Technical Supply is a trusted partner for ship repair, maintenance, hydraulic systems, and marine equipment supply.

We provide fast, reliable and high-quality services across all Turkish ports.

With strong technical expertise and global sourcing capability, we support shipowners, managers, and operators with complete marine solutions.

OUR SERVICES



SHIP REPAIR & MAINTENANCE

Docking, mechanical, electrical and piping works.



HYDRAULIC SYSTEMS & CRANE SERVICES

Hydraulic repair, overhaul, testing and crane inspections.



SPARE PARTS SUPPLY (IMPA STANDARD)

Wide range of marine spare parts with global sourcing.



DECK EQUIPMENT & FABRICATION

Deck machinery, steel works and custom fabrication.



24/7 TECHNICAL SUPPORT

Fast response, on-site assistance and after-sales support.



ADDRESS

Yunus Mah. Atölyeler Sok. No:3
Kartal - İSTANBUL / TÜRKİYE



PHONE

+90 216 232 32 37



MOBILE

+90 531 668 78 16



EMAIL

info@asfshipsupply.com
info@asfgemimakina.com



WEB

www.asfshipsupply.com



SCAN ME

Visit Our Website

Reliable Partner for Marine Solutions Worldwide

FOLLOW US

www.asfgemimakina.com

