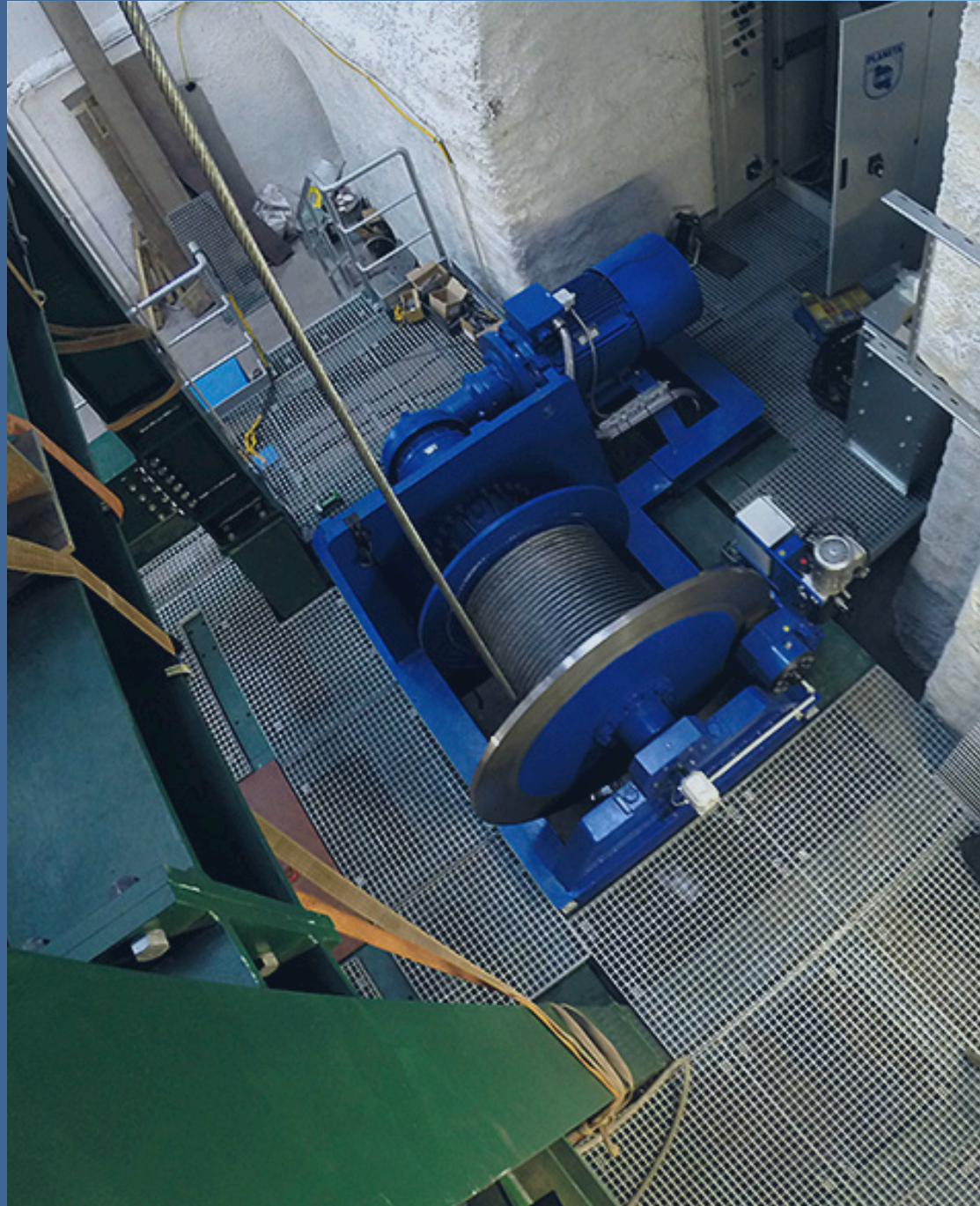


PLANETA WINCHES PHW

ELECTRIC ROPE WINCHES, PNEUMATIC WINCHES, HYDRAULIC WINCHES



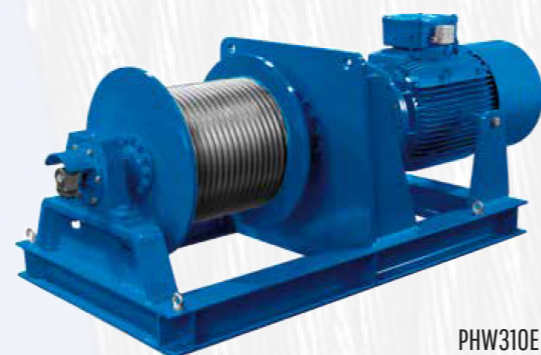
| | |
|---------|--|
| E-mail | sales@nos-as.dk |
| Phone | +45 7669 7070 |
| Address | Overholm 7, 8700 Horsens |



Planeta PHW are standard build winches, that can serve as a basic solution for a wide range of winch applications involving pulling and lifting. PHW winches are traditionally constructed with motor, gearbox, and drum aligned in a linear configuration. For situations where a more compact design is required, an angular gearbox option is available for the PHW winch. The choice of the rope is selected to meet the pulling force requirements in the 5th layer of rope. The drum is built in accordance with Classification 1Am standards and has a diameter at least 16 times greater than the specified rope diameter. The standard version of the winch is provided without rope and control.

PHW Serie

- Capacity 1,250 kg up to 60,000 kg
- Single phase or three-phase motor
- Heavy duty planetary gearbox
- Aluminium braked motor
- Protection class: IP54 – 66, duty cycle 60 % – 100 %
- Low-maintenance, open construction
- FEM classification M4 (1Am) or higher
- Frame and drum form a firm, welded structure
- Test book and EC Declaration



PHW310E

PHW - Electric rope winches

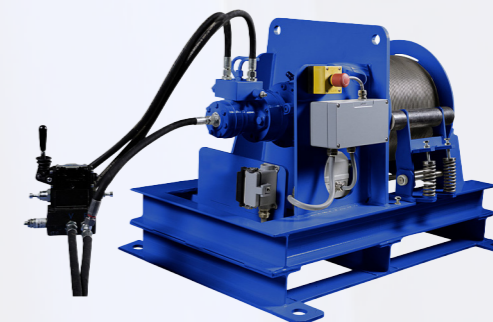
| Model | Max. capacity 1st layer (kg) | Max. capacity 5th layer (kg) | Recomm. rop diam. (mm) | Rope speed 1st layer m/min | Rope speed 5th layer m/min | Drum storage 1st layer (m) | Drum storage 5th layer (m) | Motor power 3-ph. kW |
|---------|------------------------------|------------------------------|------------------------|----------------------------|----------------------------|----------------------------|----------------------------|----------------------|
| PHW300E | 1250 | 875 | 9 | 8.5 | 12.5 | 24 | 155 | 2.2 |
| PHW301E | 2000 | 1400 | 11 | 8.5 | 12.5 | 24 | 155 | 3 |
| PHW304E | 3000 | 2100 | 14 | 8.5 | 12.5 | 24 | 155 | 5.5 |
| PHW305E | 4000 | 2800 | 16 | 8 | 11.5 | 24 | 155 | 5.5 |
| PHW306E | 5500 | 3800 | 19 | 8 | 11.5 | 24 | 155 | 7.5 |
| PHW307E | 7000 | 4900 | 22 | 8 | 11.5 | 24 | 155 | 11 |
| PHW309E | 9000 | 6300 | 24 | 10 | 14 | 24 | 155 | 15 |
| PHW310E | 12000 | 8400 | 28 | 8 | 11.5 | 24 | 155 | 18.5 |
| PHW311E | 15000 | 10400 | 32 | 7.5 | 11 | 23 | 154 | 22 |
| PHW313E | 18000 | 12400 | 34 | 6 | 9 | 22 | 153 | 22 |
| PHW314E | 23000 | 16000 | 38 | 6 | 9 | 22 | 153 | 30 |
| PHW315E | 30000 | 20400 | 44 | 6 | 9 | 20 | 145 | 30 |
| PHW316E | 37000 | 24500 | 48 | 6 | 9 | 18 | 137 | 45 |

PHW - Pneumatic winches

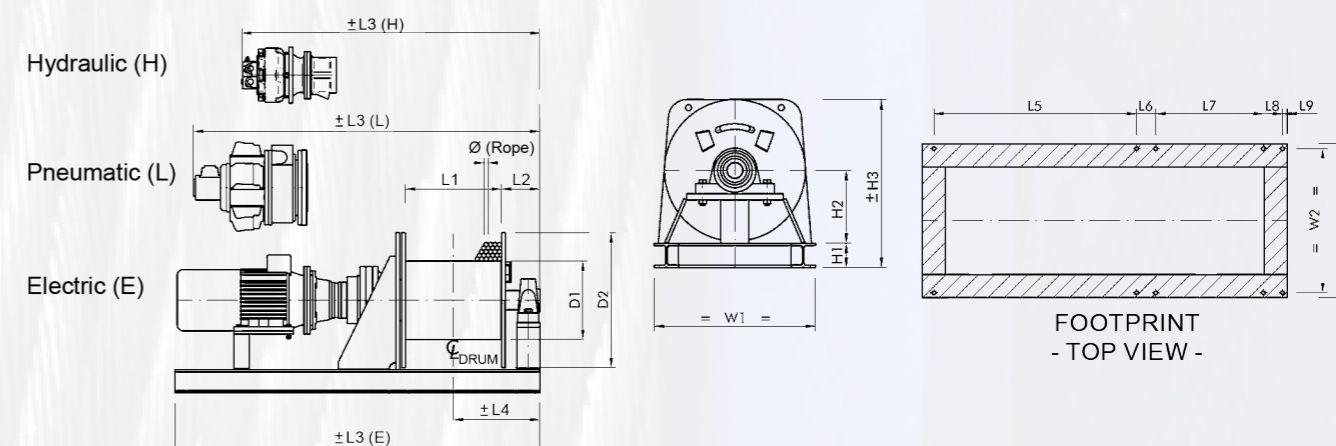
| Model | Max. capacity 1st layer (kg) | Max. capacity 5th layer (kg) | Recomm. rop diam. (mm) | Rope speed 1st layer m/min | Rope speed 5th layer m/min | Drum storage 1st layer (m) | Drum storage 5th layer (m) | Air pressure drop (bar) |
|-------------|------------------------------|------------------------------|------------------------|----------------------------|----------------------------|----------------------------|----------------------------|-------------------------|
| PHW300-LPR2 | 1200 | 845 | 10 | 11 | 16 | 26 | 168 | 7 |
| PHW301-LPR2 | 2100 | 1435 | 12 | 7 | 10 | 24 | 157 | 7 |
| PHW303-LPR2 | 2500 | 1740 | 14 | 6 | 9 | 26 | 165 | 7 |
| PHW303-LPR3 | 2500 | 1740 | 14 | 12 | 17 | 26 | 165 | 7 |
| PHW305-LPR3 | 4000 | 2770 | 16 | 9 | 13 | 25 | 161 | 7 |
| PHW305-LPR4 | 4000 | 2770 | 16 | 15 | 21 | 25 | 161 | 7 |
| PHW306-LPR4 | 5500 | 3970 | 18 | 10 | 14 | 28 | 181 | 7 |
| PHW307-LPR4 | 7000 | 4960 | 22 | 8 | 11 | 26 | 171 | 7 |
| PHW307-LG6 | 7000 | 4960 | 22 | 13 | 18 | 26 | 171 | 7 |
| PHW309-LPR4 | 9000 | 6285 | 26 | 6 | 9 | 24 | 163 | 7 |
| PHW309-LG6 | 9000 | 6285 | 26 | 10 | 14 | 24 | 163 | 7 |
| PHW310-LG6 | 12000 | 8460 | 28 | 7 | 10 | 24 | 168 | 7 |
| PHW311-LG6 | 16000 | 10655 | 34 | 5 | 7.5 | 19 | 144 | 7 |
| PHW313-LG6 | 20000 | 13610 | 38 | 4 | 6 | 19 | 151 | 7 |

PHW - Hydraulic winches

- Orbit or radial piston type hydraulic motor complete with brake valve



| Model | Max. capacity 1st layer (kg) | Max. capacity 5th layer (kg) | Recomm. rop diam. (mm) | Rope speed 1st layer m/min | Rope speed 5th layer m/min | Drum storage 1st layer (m) | Drum storage 5th layer (m) | Oil pressure drop (bar) |
|----------|------------------------------|------------------------------|------------------------|----------------------------|----------------------------|----------------------------|----------------------------|-------------------------|
| PHW303-H | 2500 | 1740 | 14 | 18 | 26 | 26 | 165 | 140 |
| PHW305-H | 4000 | 2770 | 16 | 18 | 26 | 25 | 161 | 160 |
| PHW306-H | 5500 | 3970 | 18 | 25 | 35 | 28 | 181 | 225 |
| PHW307-H | 7000 | 4960 | 22 | 20 | 28 | 26 | 171 | 230 |
| PHW309-H | 9000 | 6285 | 26 | 13 | 18 | 24 | 163 | 190 |
| PHW310-H | 12000 | 8460 | 28 | 11 | 16 | 24 | 168 | 230 |
| PHW311-H | 16000 | 10655 | 34 | 10 | 15 | 19 | 144 | 230 |
| PHW313-H | 20000 | 13610 | 38 | 8 | 12 | 19 | 151 | 210 |
| PHW315-H | 30500 | 20800 | 44 | 8 | 12 | 19 | 151 | 235 |
| PHW316-H | 37000 | 24570 | 48 | 6 | 9 | 17 | 141 | 235 |



Dimensions and weights

| Model | Dimensions (mm) | | | | | | | | | | | | | | | | Weight (kg) | |
|--------|-----------------|------|-----|-----|-------|-------|-------|-----|-----|-----|-----|----|-----|-----|------|------|-------------|------|
| | D1 | D2 | L1 | L2 | L3(E) | L3(H) | L3(L) | L4 | L6 | L7 | L8 | L9 | H1 | H2 | H3 | W1 | | W2 |
| PHW300 | 152 | 325 | 500 | 135 | 1450 | - | 1450 | 385 | 80 | 540 | 80 | 20 | 100 | 215 | 520 | 500 | 460 | 250 |
| PHW301 | 191 | 375 | 500 | 155 | 1450 | - | 1450 | 405 | 80 | 540 | 80 | 20 | 100 | 215 | 520 | 500 | 460 | 250 |
| PHW304 | 241 | 430 | 500 | 155 | 1600 | 1350 | 1650 | 405 | 80 | 550 | 80 | 20 | 100 | 260 | 610 | 600 | 560 | 400 |
| PHW305 | 273 | 490 | 500 | 155 | 1650 | 1350 | 1800 | 405 | 80 | 550 | 80 | 20 | 100 | 260 | 610 | 600 | 560 | 400 |
| PHW306 | 324 | 580 | 500 | 165 | 1800 | 1450 | 1850 | 415 | 80 | 560 | 80 | 20 | 100 | 310 | 710 | 700 | 660 | 510 |
| PHW307 | 395 | 680 | 500 | 200 | 1950 | 1550 | 1900 | 450 | 100 | 560 | 100 | 25 | 120 | 360 | 830 | 800 | 750 | 790 |
| PHW309 | 419 | 730 | 500 | 230 | 2000 | 1550 | 1900 | 480 | 110 | 560 | 110 | 30 | 140 | 435 | 1000 | 1000 | 940 | 1100 |
| PHW310 | 495 | 860 | 500 | 235 | 2100 | 1600 | 1950 | 485 | 120 | 590 | 120 | 40 | 160 | 460 | 1070 | 1100 | 1040 | 1420 |
| PHW311 | 546 | 960 | 500 | 259 | 2150 | 1600 | 1950 | 509 | 120 | 590 | 120 | 40 | 160 | 510 | 1170 | 1150 | 1090 | 1740 |
| PHW313 | 572 | 1020 | 500 | 260 | 2150 | 1700 | 1950 | 510 | 120 | 590 | 120 | 40 | 180 | 585 | 1340 | 1350 | 1280 | 2320 |
| PHW315 | 711 | 1350 | 500 | 299 | 2600 | 2050 | - | 549 | 140 | 590 | 140 | 40 | 200 | 685 | 1560 | 1550 | 1470 | 3400 |
| PHW316 | 711 | 1400 | 500 | 299 | 2650 | 2100 | - | 549 | 140 | 590 | 140 | 40 | 200 | 710 | 1610 | 1600 | 1520 | 2900 |

We offer 24 hour service at NOS A/S

Whenever a problem arises and your equipment has been damaged, then you can safely call us.

We will fix or change the damaged equipment fast and effective. That way you will keep production going and minimize the number of stops.

Call us 24/7 if a problem arises
Tel. +45 7669 7070

Member of Kranbranchen

Since 2015, have we been a member of the crane industry "Kranbranchen". Through this membership, we get access to the latest technical know-how as well as information about the current rules and regulations in the industry.



NOS A/S

A GRENE WIS COMPANY

Overholm 7, 8700 Horsens
E-mail: sales@nos-as.dk
Phone: +45 7669 7070