



**MARITECH CO., LTD**

# BROCHURE

A top supplier of maritime electronic product



#### ADDRESS

4, Street No. 6, Block 3  
Binh Thuan Ward, District 7  
Ho Chi Minh City, Vietnam

#### WEBSITE

[www.maritech.com.vn](http://www.maritech.com.vn)

#### QR CODE



# 1 GMDSS



**INMARSAT-C  
JUE-87**



**MF/HF  
JSS-2150/2250**



**MF/HF  
SRG-150DN/250DN**



**NAVTEX  
NCR-333**



**VHF  
JHS-800**



**VHF  
STR-6000A**



**EPIRB  
SEP-500**



**EPIRB  
SAFE PRO AIS**



**TWO-WAY  
JHS-207**



**TWO-WAY  
STV-160**



**SART  
SAR-9**



**SART  
SAR-16**



**AIS  
JHS-183**



**AIS  
SI-70A**



**GPS  
JLR-8400/8600**



**GPS  
SPR-1400**



**SPEED LOG  
JLN-740**



**SATELLITE LOG  
JLN-720**



**WEATHER FAX  
JAX-9B**



**RADAR  
JMA-5300MK2**



**ECDIS JAN-9201/7201  
RADAR JMA-7200/9200**



**ANEMOMETER  
WS-11**



**ECHO SOUNDER  
JFE-400/JFE-700**



AUTOPILOT  
ALPHAPILOT MFM



AUTOPILOT  
ALPHAPILOT MFS



GYRO COMPASS  
ALPHAMIDICOURSE



GYRO COMPASS  
ALPHAMINICOURSE



MAGNETIC  
ALPHABINNACLE H



REPEATER COMPASS  
ALPHACOURSE G



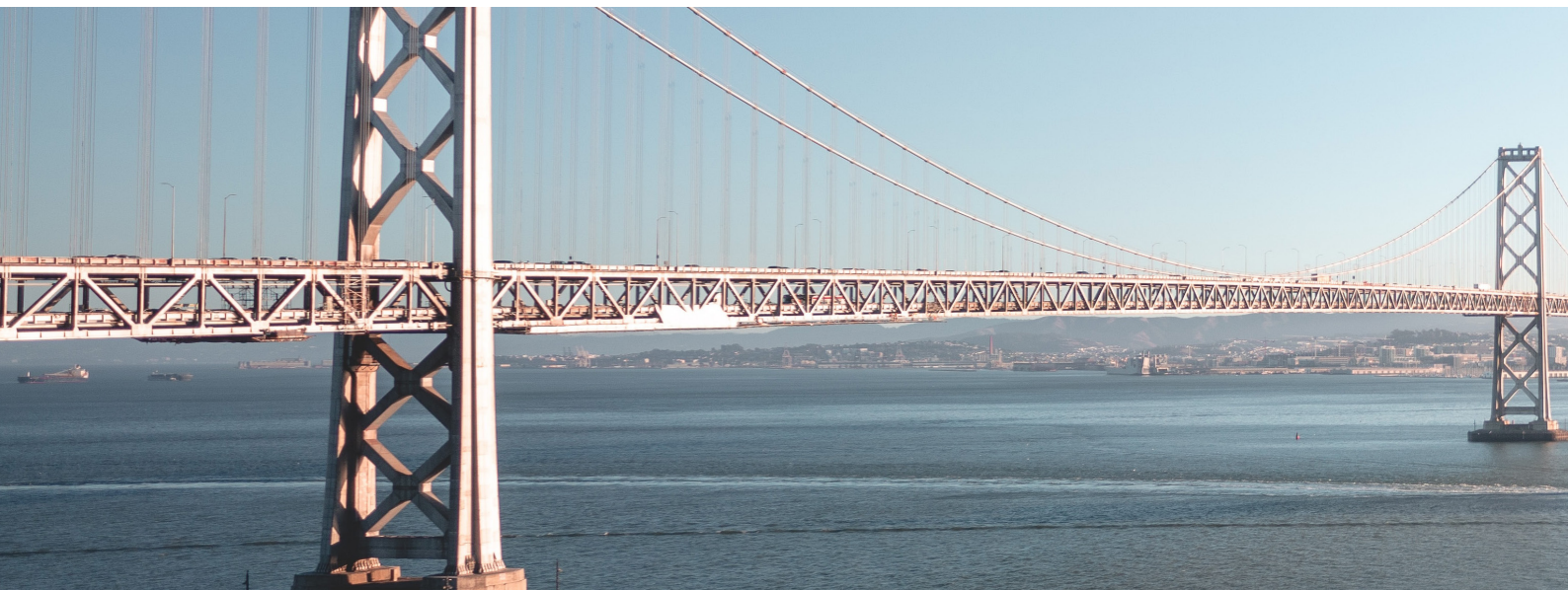
REPEATER COMPASS  
ALPHACOURSE B



SATELLITE COMPASS  
JLR-21



SATELLITE COMPASS  
JLR-31





**BNWAS  
JCX-161**



**BNWAS  
BNW-50**



**BNWAS  
KW810**



**VDR  
JRC-1900/1950**



**VDR  
NETWAVE-6000**



**VDR  
HMT-100A**



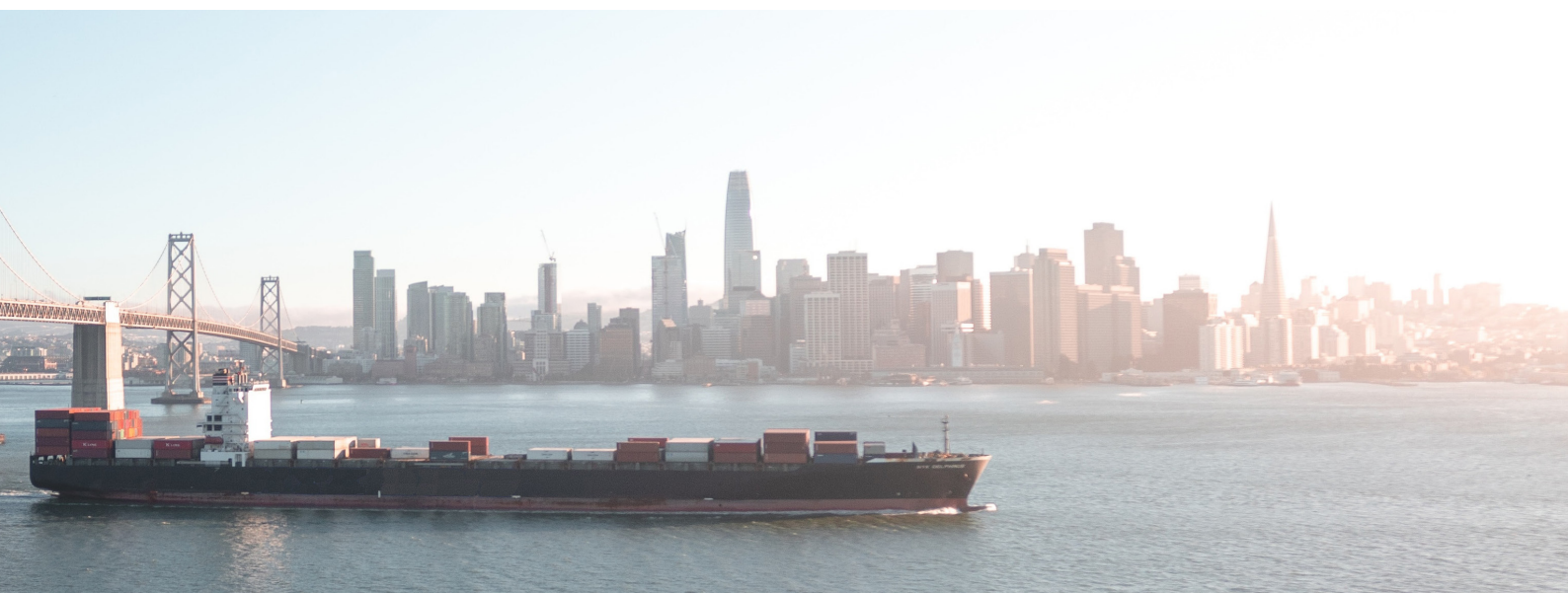
**VDR  
X-VDR**



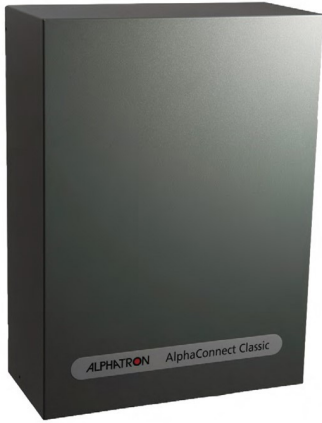
**LRIT  
JUE-95LT**



**SSAS  
JUE-95SA**



# INTERCOM



ALPHACONNECT



OAE-CX050 Series



OAE-KH010L Series





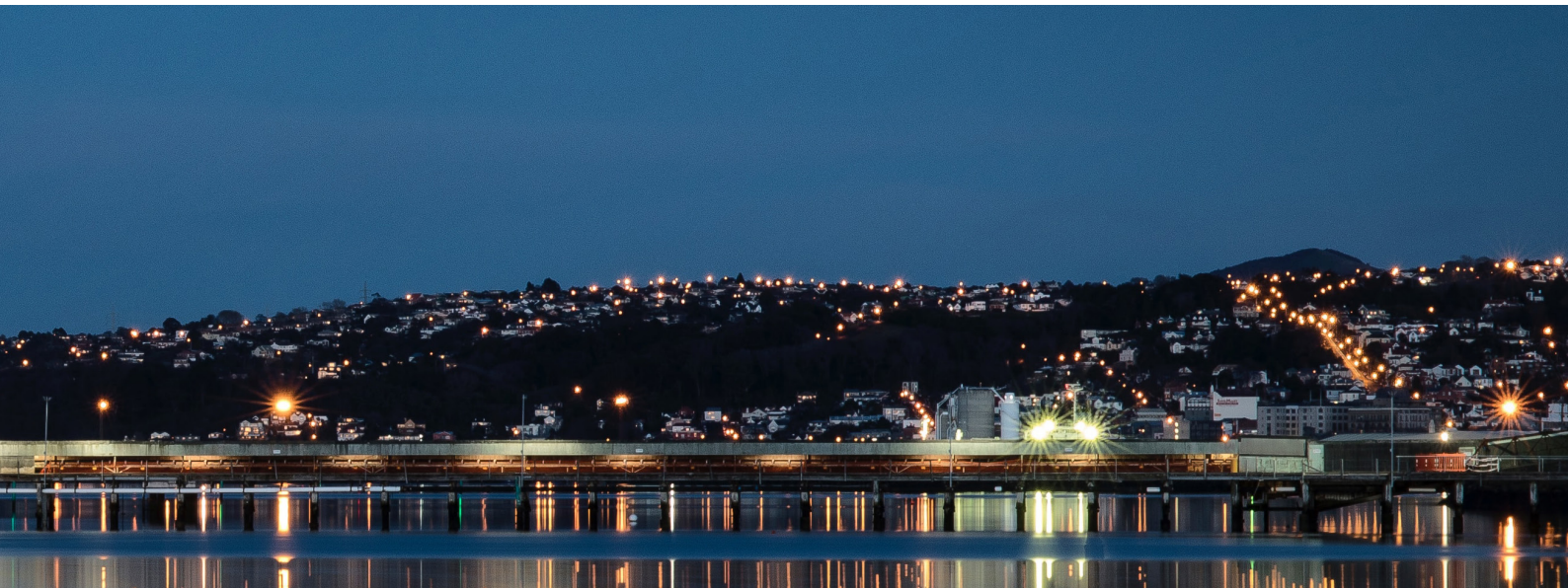
ALPHAANNOUNCE



SNP-100



OHE SERIES





**FBB  
JUE-251**



**IRIDIUM  
C700**



**IRIDIUM  
VESSELINK**



**THURAYA  
ORION IP**



**VSAT  
V7HTS**



**VSAT  
V11HTS**



**VSAT  
JUE-60GX**



**VSAT  
V85NX**



**VSAT  
V100NX**







TVRO  
i4P



TVRO  
KM-V3

# SECURITY



CAMERA  
2 AXES IR



CAMERA  
IR SYSTEM



CAMERA  
ALPHACAM



# FUEL MONITORING SYSTEM

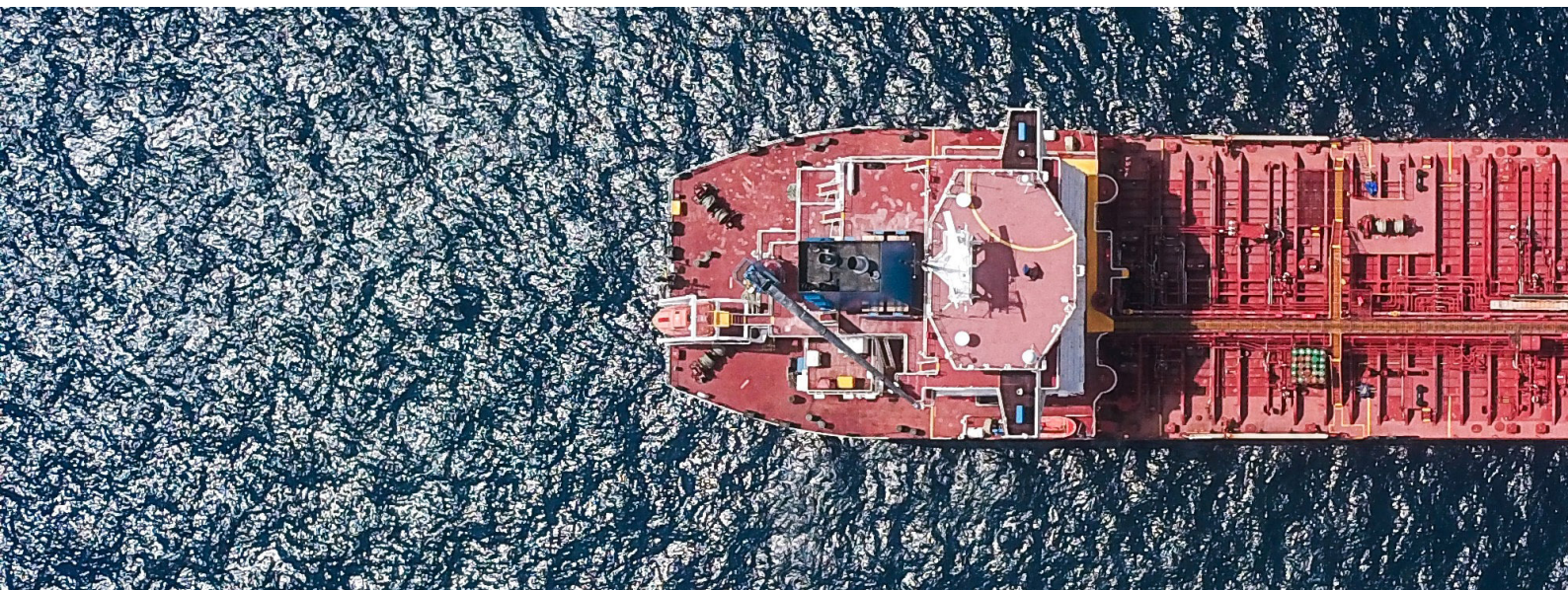
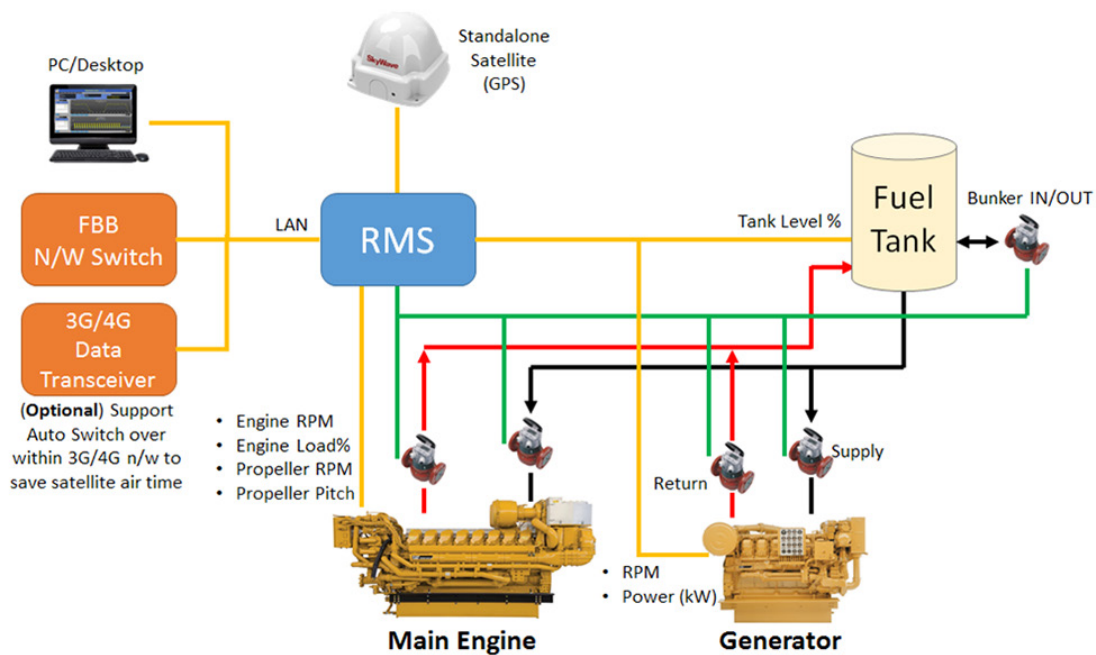
A versatile flow meter for oil, heavy oil and many other oil-like liquids. It is used for efficient consumption measurement of heat burners and various combustion engines. A reliable solution for any application where oil is consumed.

The system allows the crew and ship operators to clearly and easily monitor the fuel/oil consumed by ship's equipment.

Regular (hourly) reports are sent back through On-board Satellite Terminal or other communication mode to shore server for notification and database updates



**FLOW METER  
VZF(A) II SERIES**



## Radio Safety Survey & VDR APT

With Radio experts have a thorough knowledge of laws, regulations and related requirements, we are approved to perform radio equipment testing by ABS, BV, CCS, DNV, IBS, IRS, KR, LR, NK, PMDS, RINA, RS, VR.

We are also authorized to carry out Annual Performance Tests for VDR / S-VDRs from AMI, SAL Navigation, Headway, JRC, Kelvin Hughes, Seas of Solutions, New Sunrise, Sealantern, Simulation, MacGregor (Interschalt).

## Training JRC ECDIS

Maritech provides training the use of JRC Ecdis at both the office and vessel.

Contact us via e-mail [training@maritech.com.vn](mailto:training@maritech.com.vn) or number phone +84333778898 to have your training arranged in advance.

## Shore-Based Maintenance Agreement

Maritech provides shore based maintenance Agreement in accordance with the requirements of Convention SOLAS 1974 (Amendments of 1988), Chapter IV, Regulation 15 and Resolution A702 (17). Contact us to get priority services for your vessel.

## Installation, Maintenance, Repair

Our engineers are experts with intense experience and skilful, certified in installation, maintenance and repair marine communications and navigation equipment, such as: GMDSS, AIS. , Radars, ECDIS, Speedlogs, Gyrocompass, Autopilots, VDRs, Satellite Communications, ...

## Technical support

Our 24/7 technical support team is always ready to handle your calls. We are committed to respond to your request as soon as possible.

Contact our Technical support team via e-mail address: [service@maritech.com.vn](mailto:service@maritech.com.vn) or phone number: +84913605878.



Accompany you to the ocean

## CONTACT US



4, Street No. 6, Block 3, Binh Thuan Ward, District 7, Ho Chi Minh City, Vietnam.



+84 28 3773 8249



+84 913 916 393



[info@maritech.com.vn](mailto:info@maritech.com.vn)