

LALIZAS
Lif jackets & Accessories

SOLAS CERTIFICATION

SOLAS 74, as amended by IMO Resolution MSC. 201 (81), MSC. 216 (82), L.S.A. Code as amended by, 207 (81), 218 (82); and MSC. 81 (70), MSC. 200 (80), MSC. 226 (82), MSC. 323 (89), MSC. 368 (93) & MSC. 378 (93)

Advanced Folding Lif jacket SOLAS- (LSA Code) 2010

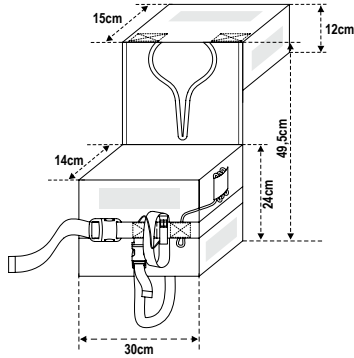
SPECIFICATIONS

**Compact 2016
ADULT**

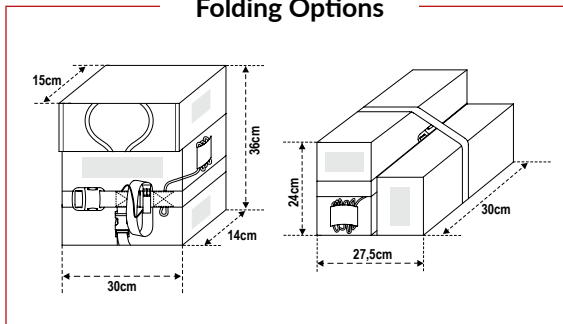
CODE	72214
BUOYANCY	146 Nt
BODY WEIGHT	over 43 up to 140 kg
AVERAGE TURNING TIME	1.5 sec
RETRO-REFLECTIVE TAPE	400 cm ²
LIFTING LOOP	Black
BUDDY LINE	YES
WHISTLE	YES
STORAGE TEMP	-30°C up to +65°C



0098



Folding Options



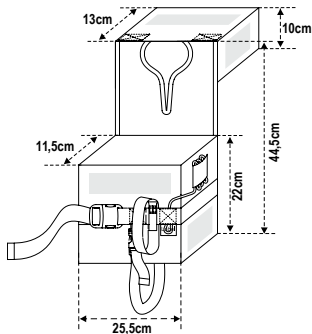
SPECIFICATIONS

**Compact 2016
ADULT**

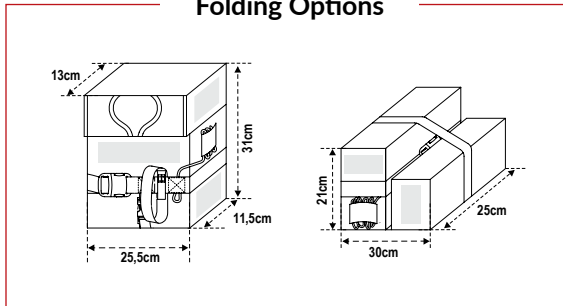
CODE	72215
BUOYANCY	88 Nt
BODY WEIGHT	over 43 up to 140 kg
AVERAGE TURNING TIME	1.5 sec
RETRO-REFLECTIVE TAPE	400 cm ²
LIFTING LOOP	Black
BUDDY LINE	YES
WHISTLE	YES
STORAGE TEMP	-30°C up to +65°C



0098



Folding Options



* Code 72214 is designed to fit persons weighing up to 140 kg, with a chest girth up to 1750 mm



RELIABLE | SAFETY | PRODUCTS

TradeNet ID 71412

Alexander/Ryan Marine & Safety
2000 Wayside Drive • Houston, TX 77011 USA
Tel: +1 713 923 1671 • Toll Free: 1 800 923 1672
www.alexanderryan.com
SalesNola@alexanderryan.com