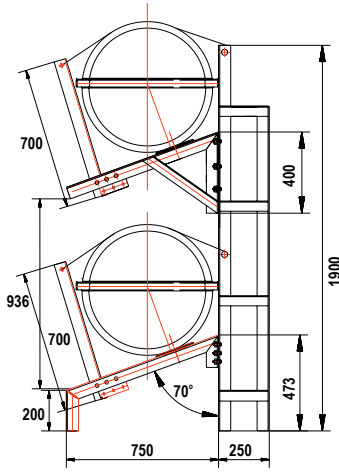


**LALIZAS**  
Liferafts & Accessories

Code.....72119

**Vertical Cradle for SOLAS OCEANO, 2-tier, 6-25(A), 6-35(B)**



Dimensions are in mm

Code.....70290

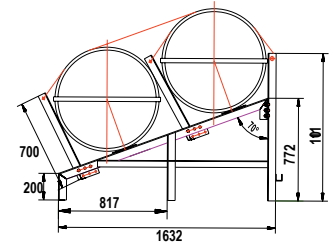
**HAMMAR H20 Hydrostatic Release for Liferafts (USCG & SOLAS/ MED Approved)**

- Simple to install
- No spare parts or service required
- Must be replaced two years after installation



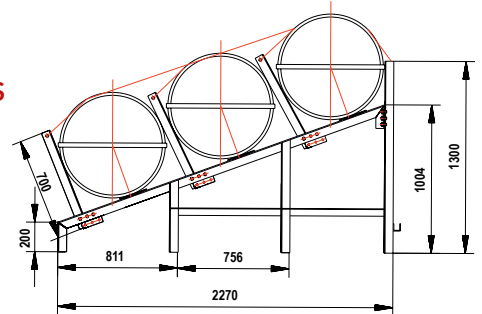
Code.....72136

**Cradle for SOLAS OCEANO, 2-tier, 30-35(A)**



Code.....72120

**Cradle for SOLAS OCEANO, 3-tier, 6-25(A), 6-35(B)**



Code.....71892

**Lashing with Hook for Liferafts 6-35 prs**

Code.....72748

**Lashing with Hook for Liferafts >50 prs**



Suitable for :

- All Hydrostatic Release Units
- OCEANO Life Raft Capacities

List of Equipment	Amount	
	SOLAS Pack A	SOLAS Pack B
Portable buoyant bailer	"(Up to 12 persons) 1 pc (More than 12 persons) 2 pcs."	"(Up to 12 persons) 1 pc (More than 12 persons) 2 pcs."
Sponge	2	2
Buoyant paddles	2	2
Whistle	1	1
Waterproof torch (with separate battery and bulb)	1	1
Signalling mirror	1	1
Anti-seasickness pills, per person	6	6
Seasickness bag, per person	1	1
Red hand flares	6	3
Red parachute flares	4	2
Repair kit	1	1
Bellow	1	1
Operational manual	1	1
Survival at sea - Instruction Manual	1	1
Table of the life-saving signals	1	1
Log Book	1	1
First-aid kit	1	1
Orange smoke signals	2	1
Food ration, per person	10000kJ	-
Fresh water, per person	1,5L	-
Sea-anchor	2	2
Tin opener	3	-
Fishing tackle	1	1
Radar reflector	1	1
Thermal protective aids	2	2
Drinking cup	1	-
Buoyant rescue quoit	1	1
Safety Knife	"(Up to 12 persons) 1 pc (More than 12 persons) 2 pcs."	"(Up to 12 persons) 1 pc (More than 12 persons) 2 pcs."

Survival Equipment for Liferafts & Lifeboat



Code.....57070

**LALIZAS Emergency liferaft food ration 0,5 kg**



**Rina Approved** Halal Certificate Health Certificate



Code.....56700

**LALIZAS Emergency liferaft drinking water 4x125ml**



**Rina Approved** Halal Certificate Health Certificate



RELIABLE | SAFETY | PRODUCTS

TradeNet ID 71412

Alexander/Ryan Marine & Safety  
2000 Wayside Drive • Houston, TX 77011 USA  
Tel: +1 713 923 1671 • Toll Free: 1 800 923 1672  
www.alexanderryan.com  
SalesNola@alexanderryan.com