

**LALIZAS**

Liferafts & Accessories

**LALIZAS Liferaft SOLAS OCEANO**

Open Reversible Type

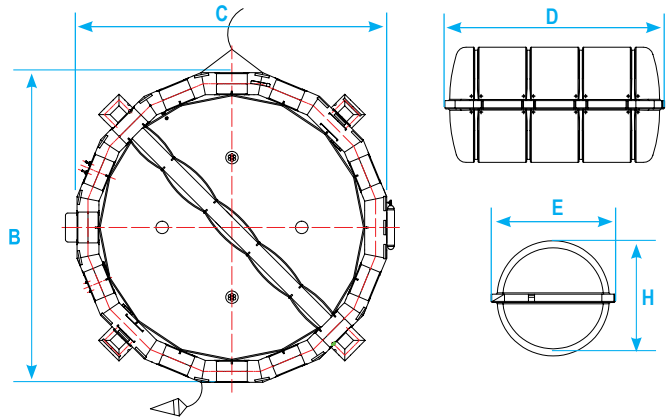
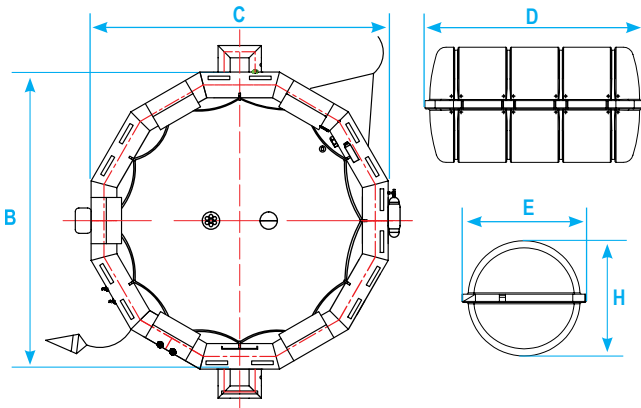
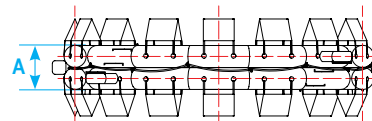
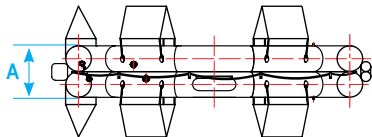
SOLAS Approved by Germanischer Lloyds



- Ideal for passenger ships operating in coastal or inland waters
- Equipment Pack: HSC Pack
- Available Capacities: from 25 to 65 Persons
- GRP Canister
- Durable Rubber Fabric
- Double Chambered Tubes
- Stowage Height up to 10m (Painter line up to 20m)
- Fully operational at temperatures from -18°C up to +65°C
- Global Service Stations Network
- Supplied with Deck Cradle in wooden box

25 & 30 Persons

50 & 60 Persons



Code	Persons	Pack	Dimensions (mm)					
			A	B	C	D	E	H
79898	25	HSC	712	4114	4114	1090	615	530
79899	30		746	4474	4474	1230	630	550

Code	Persons	Pack	Dimensions (mm)					
			A	B	C	D	E	H
79900	50	HSC	854	5680	5680	1490	757	678
79901	65		914	6434	6434	1700	755	680



RELIABLE | SAFETY | PRODUCTS

TradeNet ID 71412

Alexander/Ryan Marine & Safety  
 2000 Wayside Drive • Houston, TX 77011 USA  
 Tel: +1 713 923 1671 • Toll Free: 1 800 923 1672  
 www.alexanderryan.com  
 SalesNola@alexanderryan.com