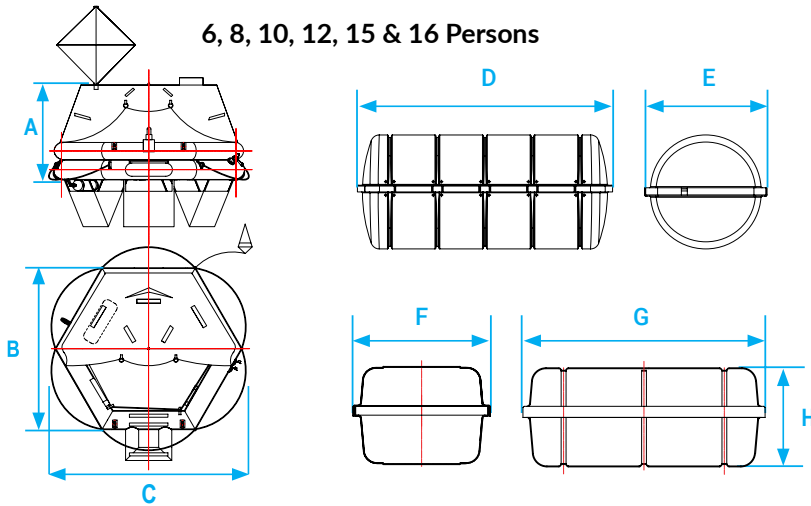


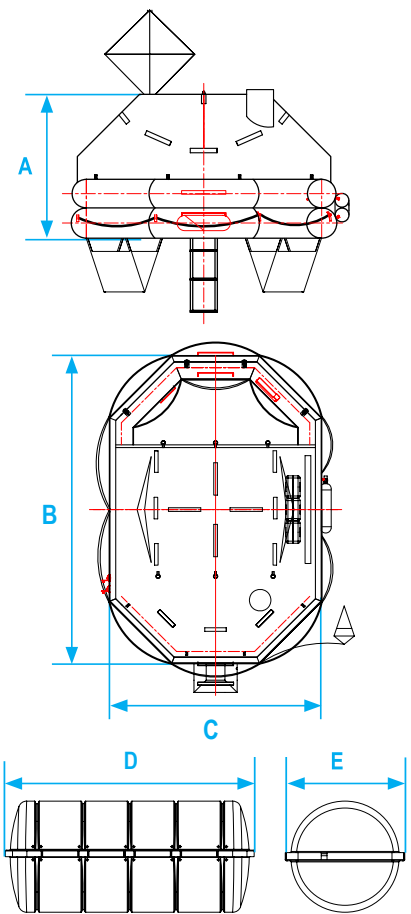
LALIZAS
Liferafts & Accessories

6, 8, 10, 12, 15 & 16 Persons



Code	Persons	Pack	Dimensions (mm)							
			A	B	C	D	E	F	G	H
79867	6	A	1200	2104	2104	1090	615	-	-	-
79903		B				1045	545	-	-	-
79868	8	A	1250	2390	2390	1090	615	-	-	-
79880		Flat - A				-	-	564	994	405
79904	10	B	1400	2694	2694	1045	545	-	-	-
79869		A				1230	630	-	-	-
79905	12	B	1500	2924	2924	1090	615	-	-	-
79870		A				1230	630	-	-	-
79882	15	Flat - A	1600	3238	3238	-	-	664	1044	405
79906		B				1090	615	-	-	-
79871	16	A	1600	3330	3330	1285	670	-	-	-
79907		B				1230	630	-	-	-
79872	16	A	1600	3330	3330	1285	670	-	-	-
79908		B				1230	645	-	-	-

20, 25, 30 & 35 Persons



Code	Persons	Pack	Dimensions (mm)				
			A	B	C	D	E
79873	20	A	1600	4304	2974	1335	696
79909		B				1285	670
79874	25	A	1650	4894	3194	1490	757
79910		B				1335	696
79875	30	A	1700	5384	3414	1700	765
79911		B				1490	757
79876	35	A	1750	5899	3568	1700	765
79912		B				1490	757



RELIABLE | SAFETY | PRODUCTS

TradeNet ID 71412

Alexander/Ryan Marine & Safety
2000 Wayside Drive • Houston, TX 77011 USA
Tel: +1 713 923 1671 • Toll Free: 1 800 923 1672
www.alexanderryan.com
SalesNola@alexanderryan.com