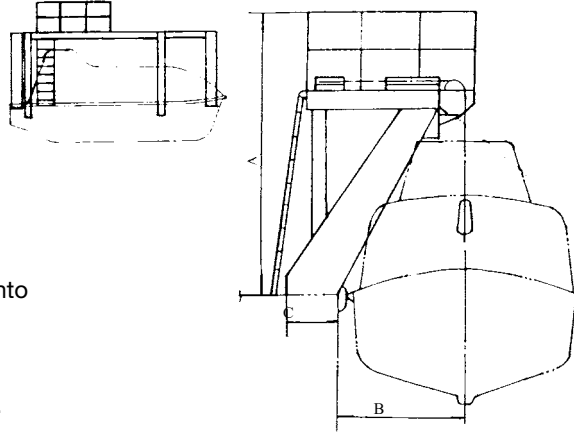


## BEIHAI LIFEBOATS

## PLATFORM TYPE DAVIT

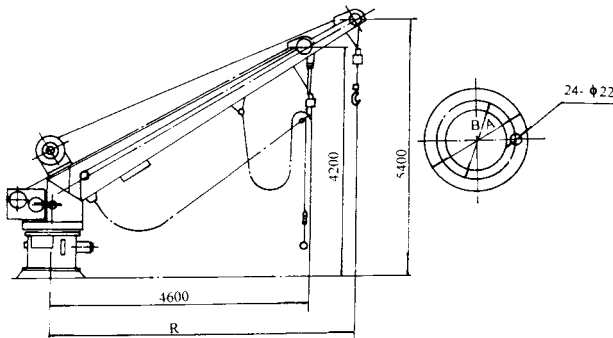


Any rescue boat lighter than the Working Load (SWL) can be fit into the davit.

The dimensions change as the davit is trimmed to suit the boat.

Davit Model	Working Load (kN)	Lifeboat Models	Dimensions (mm)		
			A	B	C
PL75	75	BH-5, BH-5A, BH-5S, BH-5SA, BH-6A, BH-7A, BH-7B	3620	1750	500
PL125	125	BH-8, BH-9, BH-9A, BH-9XL	3620	1730	600
PL160	160	BH-10, BH-10XLAD	3900	1735	500
BD-PL180	180	BH-11	3950	1740	550
BD-PL230	230	BH-14	4500	1900	650
RBD966XL	6118	Rescue Boat	dimensions to suit selected rescue boat		

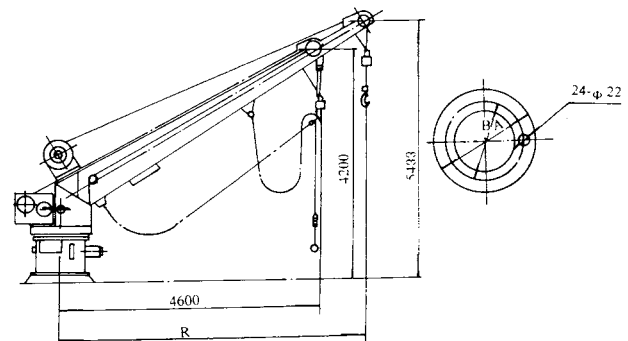
## RESCUE BOAT DAVIT



## SA-14

Name	Unit	Data
Hoisting capacity	kg	1000
Slewing radius	m	5.5 ≤ R ≤ 6.5
Max. hoisting height	m	25
Hoisting speed	m/min.	abt. 17
Motor power	kW	3.7
Foot dimensions	A	mm φ 1070
	B	mm φ 970

## RESCUE BOAT DAVIT



## SA-21

Name	Unit	Data
Max. working load	kN	21
Hoisting load	kN	13
Hoisting height	m	25
Hoisting speed (abt.)	m/min.	18
Lowering speed	m/min.	48
Power of hoisting motor	kW	5.5
Power of slewing motor	kW	3.7

Due to continuing research and development all data may be changed without prior notice.



RELIABLE | SAFETY | PRODUCTS

TradeNet ID 71412

Alexander/Ryan Marine & Safety  
 2000 Wayside Drive • Houston, TX 77011 USA  
 Tel: +1 713 923 1671 • Toll Free: 1 800 923 1672  
 www.alexanderryan.com  
 SalesNola@alexanderryan.com