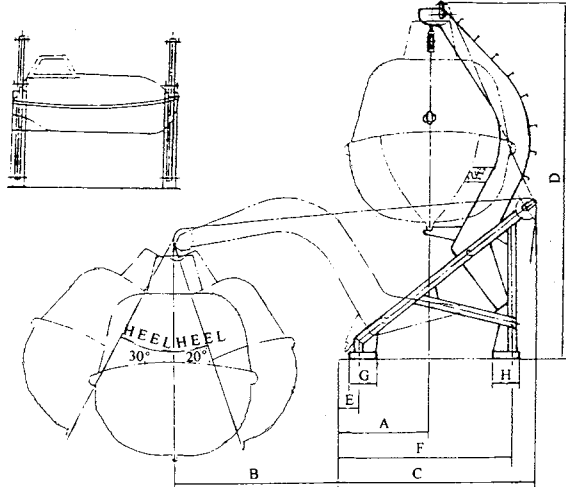


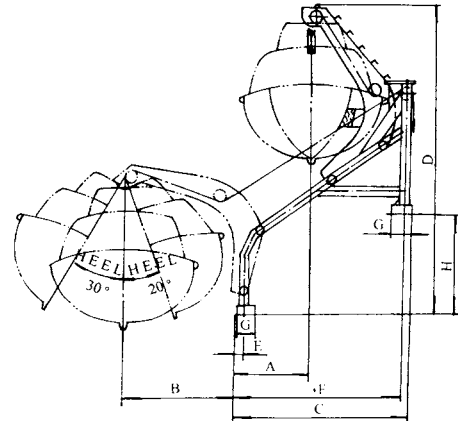
BEIHAI LIFEBOATS

GRAVITY ROLLING TYPE DAVIT



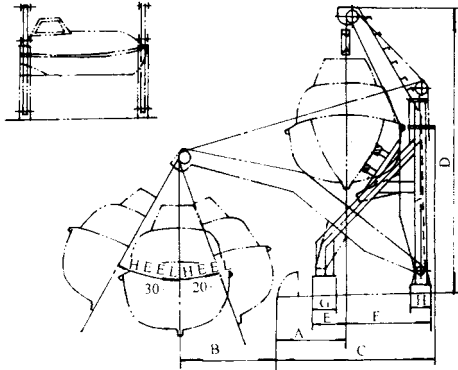
Type	Max. davit load (kN)	Boat length (m)	Dimensions (mm)								Winch load (kN)
			A	B	C	D	E	F	G	H	
AR60	60	6.0-6.5	1250	2400	3000	4950	200	2550	450	450	63
AR80	80	7.0-8.0	1525	2540	3500	5250	455	2925	460	550	63

GRAVITY ROLLING TYPE DAVIT



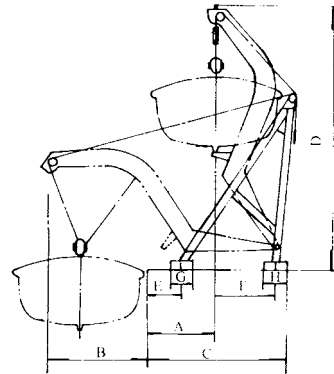
Type	Max. davit load (kN)	Boat length (m)	Dimensions (mm)								Winch load (kN)
			A	B	C	D	E	F	G	H	
AR55	55	5.5-6.0	1250	1720	3000	5300	200	2850	400	-2500	48
AR65	65	6.0-7.0	1300	2300	3300	5950	350	3000	400	-2500	48
AR85	85	7.0-8.0	1600	2400	3650	6200	200	3500	400	-2500	63

GRAVITY LUFFING ARM TYPE DAVIT



Type	Max. davit load (kN)	Boat length (m)	Dimensions (mm)								Winch load (kN)
			A	B	C	D	E	F	G	H	
ARL55-1	55	5.5-6.0	1250	2000	2650	5480	370	1500	400	400	48
ARL65-1	65	6.5-7.0	1300	2200	3100	6000	650	1720	500	480	48
ARL85-1	85	7.5-8.0	1600	2680	3500	6600	960	1860	520	520	63
ARL100-1	100	8.5	1700	2800	3600	6700	750	1780	500	480	63
ARL130-1	130	10.0	1900	2250	4500	8000	620	2360	640	640	100

GRAVITY LUFFING ARM TYPE DAVIT



Type	Max. davit load (kN)	Length of boat w/ side door (m)	Dimensions (mm)								Winch load (kN)
			A	B	C	D	E	F	G	H	
ARLA49	80	7.5	1410	2330	3090	5950	910	1500	500	480	63
		8.0	1510		3190		1010				
ARLB49	80	7.5	1410	2710	3090	6940	900	1500	500	480	63
		8.0	1510		3190		1000				
ARLA57	100	8.0	1680	2500	3410	6100	1180	1550	500	480	63
		8.5									

Due to continuing research and development all data may be changed without prior notice.



RELIABLE | SAFETY | PRODUCTS

TradeNet ID 71412

Alexander/Ryan Marine & Safety
 2000 Wayside Drive • Houston, TX 77011 USA
 Tel: +1 713 923 1671 • Toll Free: 1 800 923 1672
 www.alexanderryan.com
 SalesNola@alexanderryan.com