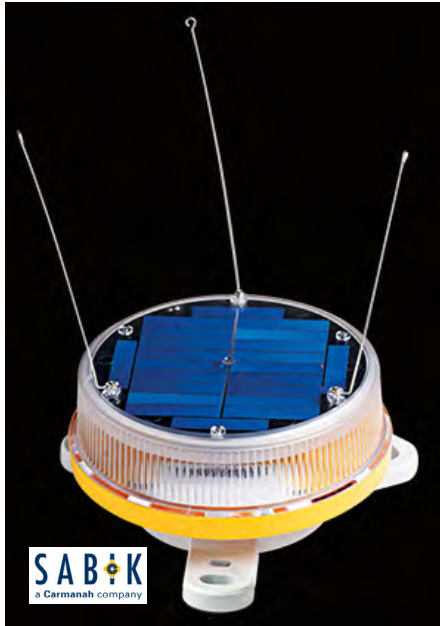




MARINE LANTERNS

M660 - SELF CONTAINED LED LANTERN FOR BUOYS AND MINOR BEACONS, UP TO 4 NM RANGE



The M660 is a high-performance, long-life, easy-to-use and cost-effective self-contained solar LED marine lantern. The M660 features a Li-ion battery pack that extends the service life of the lantern up to eight years. M660 has four different mounting options and can be programmed and controlled with Bluetooth® Control.

- Ventilated battery compartment
- Adjustable intensity and range
- Vertical divergence > 8° (FWHM)
- High-efficiency solar cells
- Maximum Power Point Tracking (MPPT) for optimal energy collection
- Premium grade UV resistant, polycarbonate/polysiloxane co-polymer body and lens material
- IP 68 rated
- O-ring sealing with waterproof vent
- Battery case is also IP68 (duration under test)
- Li-ion battery, optional dual pack
- Programmable with Bluetooth® Control and IR-Programmer
- Optional ON/OFF switch, external charger and charging port

MAIN TECHNICAL SPECIFICATION

Lens visual/Mechanical diameter	177 mm
Lens material	UV stabilized polycarbonate
Light source	High Power Light Emitting Diode (LED)
Vertical divergence	> 8° (FWHM)
Solar module	High efficiency cells; MPPT
Battery	Li-ion (IEC 61233)
Degrees of ingress protection	IP 68
Weight	0.8 kg
Overall Height (excl. bird deterrents)	105 mm
Installation (adapters)	3 x M6 on 150 mm and 3 x M12 on 200 mm
Installation (pole mount)	3 x #10-14 60mm or 73mm diameter

ACCESSORIES

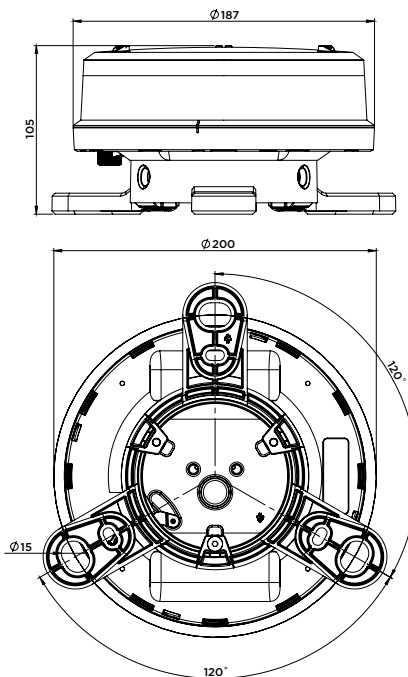
69934	660 Bird Deterrent - Single
79848	Spare adapter (incl. screws)
79273	Optional switch
79399	660 Battery Replacement Pack
69885	660 International Wall Charger Assembly
69899	IR (Infrared) Programmer
38334	660 Standard Bolt Kit
79400	660 Dual Battery Replacement Pack

OPTION MATRIX

M660 Switched	ON/OFF switch
M660 Unswitched	No ON/OFF switch
M660 Dual Battery	Dual Battery Pack
M660 Charge Port	With Charge Port

PRODUCT CODES

Color	M660 unswitched	M660 switched	M660 dual battery	M660 charge port
red	M660R	M660R-S	M660R-2B	M660R-C
green	M660G	M660G-S	M660G-2B	M660G-C
white	M660W	M660W-S	M660W-2B	M660W-C
yellow	M660Y	M660Y-S	M660Y-2B	M660Y-C
blue	M660B	M660B-S	M660B-2B	M660B-C



P. O. Box 596 (90748) • 910 Mahar Ave., Wilmington, CA 90744

(800) 322-3131 • (310) 522-9698 • Fax: (310) 522-1043

E-Mail: sales@watermansupply.com

www.watermansupply.com

TradeNet ID 61935