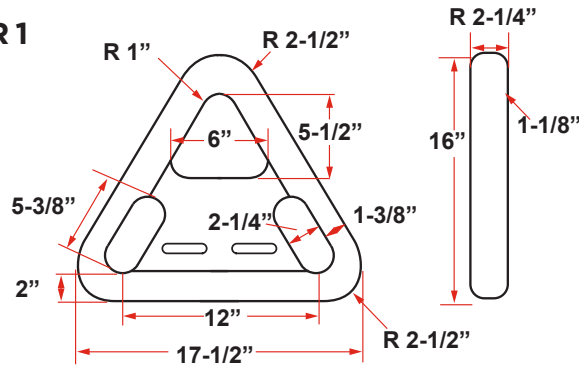




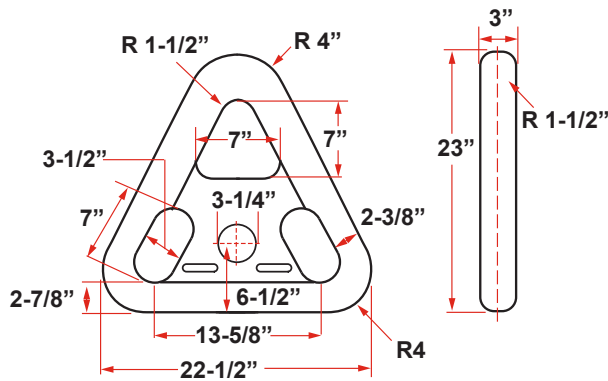
TOWING

SEA-LINK TOW PLATES
WITH ABS CERTIFICATION

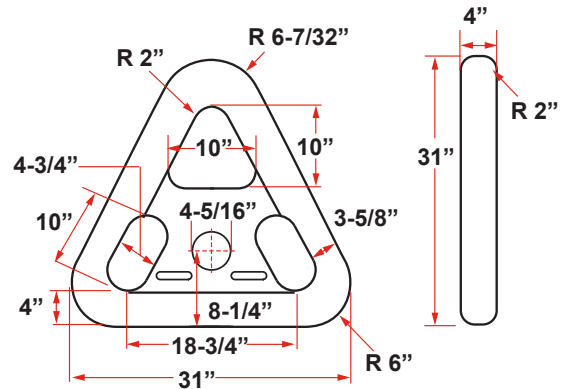
NUMBER 1



NUMBER 2



NUMBER 3



All dimensions in inches and pounds unless otherwise indicated.

TOW PLATE SPECIFICATIONS			
	NO. 1	NO. 2	NO. 3
SHACKLE SIZES	1-1/2" - 2"	2-1/4" - 3"	3-1/2" - 4"
DIMENSIONS	17-1/2" x 16"	22-1/2" x 23"	31" x 31"
WEIGHT	75	202	485
PROOF TEST	300,000	485,000	624,000

Approximate dimensions shown above. Contact us for specific dimensions, as they may differ between manufacturers.



P. O. Box 596 (90748) • 910 Mahar Ave., Wilmington, CA 90744
 (800) 322-3131 • (310) 522-9698 • Fax: (310) 522-1043
 E-Mail: sales@watermansupply.com
 www.watermansupply.com
 TradeNet ID 61935