



TOWING/HARDWARE

SEA-LINK HEAVY LIFT INDUSTRIAL AND MARINE TOWING SHACKLES (WIDE JAW)

MADE WITH PRIDE IN THE USA

ANCHOR PATTERN – WIDE JAW

SIZE (A)	WORKING LOAD LIMIT IN TONS	PIN DIAM. IN INCHES (B)	JAW WIDTH INCHES (C)	DIMENSIONS (INCHES)			APPROX. WT. EACH IN POUNDS
				D	E	F	
1-1/2	22	1-3/4	4-3/16	8-1/8	6-1/4	3-1/2	28
1-3/4	30	2	5	9-3/8	6-7/8	4-1/4	40
2	40	2-1/4	5-3/4	10-1/2	8-1/8	4-5/8	55
2-1/4	48	2-1/2	6-1/4	11-1/2	8-7/8	5	75
2-1/2	55	2-3/4	6-1/2	12-3/8	9-3/8	5-3/4	106
2-3/4	68	3	7	12-3/4	9-3/4	6-1/8	138
3	80	3-1/4	7-1/4	13	10	6-1/2	157
3-1/2	120	3-3/4	9-1/4	15-1/2	12-1/4	8-1/4	274

JAW TOLERANCE

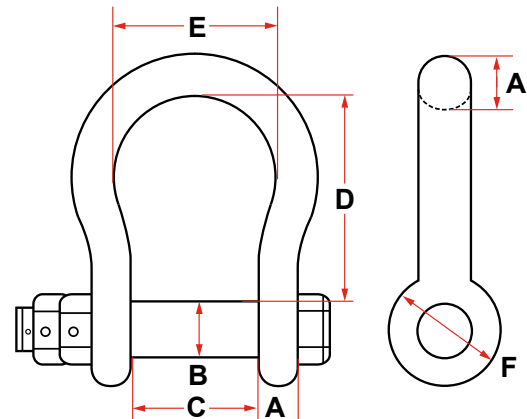
* Anchor Size 1-1/2 - 3 Inches = (+/- .125)
* Anchor Size 3-1/2 Inches = (+/- .250)

REACH TOLERANCE

* Anchor Size 1-1/2 - 2-1/2 Inches = (+/- .500)
* Anchor Size 2-3/4 - 3-1/2 Inches = (+/- .750)

SAFETY

* 5:1 Safety Factor



CHAIN PATTERN – WIDE JAW

SIZE (A)	WORKING LOAD LIMIT IN TONS	PIN DIAM. IN INCHES (B)	JAW WIDTH INCHES (C)	DIMENSIONS (INCHES)		APPROX. WT. EACH IN POUNDS
				D	F	
1-1/2	22	1-3/4	4-3/16	8-1/8	3-1/2	28
1-3/4	30	2	5	9-3/8	4-1/4	45
2	40	2-1/4	5-3/4	10-1/2	4-5/8	60
2-1/4	48	2-1/2	6-1/4	11-1/2	5	71
2-1/2	55	2-3/4	6-1/2	12-3/8	5-3/4	112
2-3/4	68	3	7	12-3/4	6-1/8	127
3	80	3-1/4	7-1/4	13	6-1/2	165
3-1/2	120	3-3/4	9-1/4	15-1/2	8-1/4	278

JAW TOLERANCE

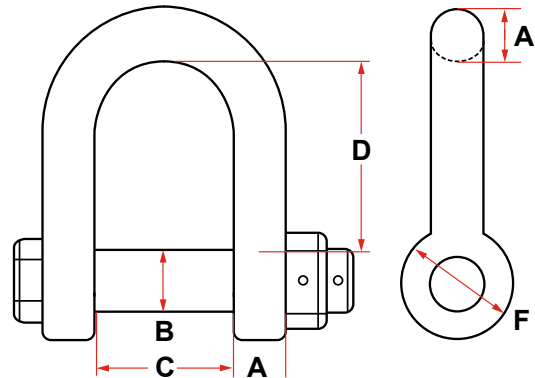
* Anchor Size 1-1/2 - 3 Inches = (+/- .125)
* Anchor Size 3-1/2 Inches = (+/- .250)

REACH TOLERANCE

* Anchor Size 1-1/2 - 2-1/2 Inches = (+/- .500)
* Anchor Size 2-3/4 - 3-1/2 Inches = (+/- .750)

SAFETY

* 5:1 Safety Factor



AVAILABLE WITH SINGLE NUT
OR DOUBLE NUT PINS.



P. O. Box 596 (90748) • 910 Mahar Ave., Wilmington, CA 90744

(800) 322-3131 • (310) 522-9698 • Fax: (310) 522-1043

E-Mail: sales@watermansupply.com

www.watermansupply.com

TradeNet ID 61935