

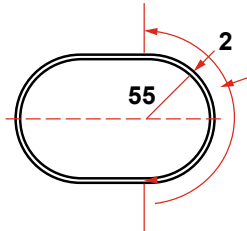
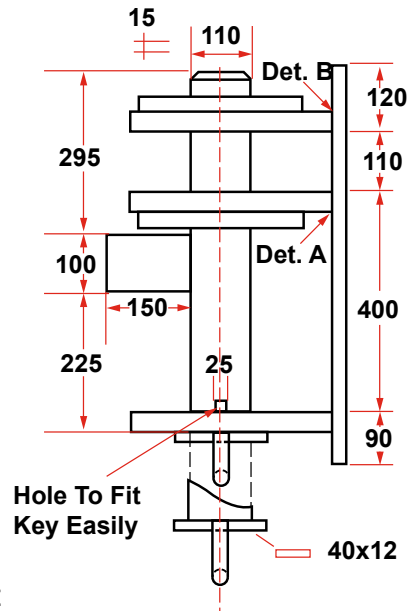
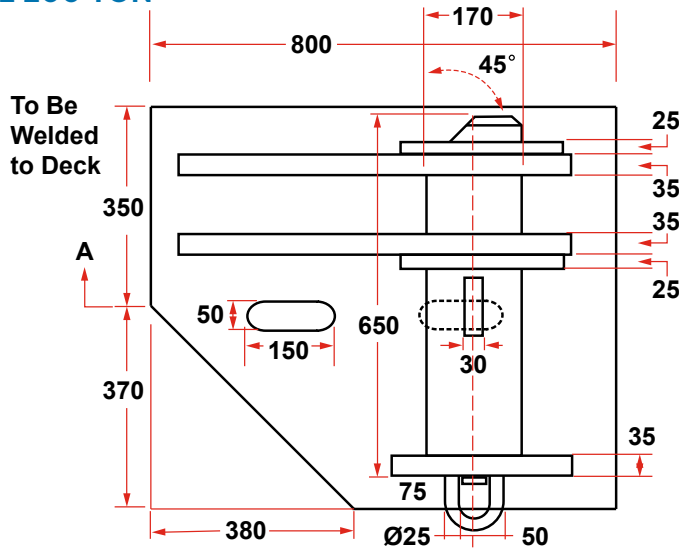


TOWING

**SMIT BRACKET
WITH ABS CERTIFICATION**

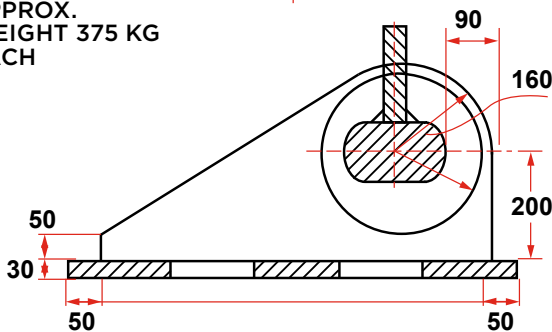
**LARGE SIZE
SWL 200 TON**

**CONNECTION FOR 3-1/4"
TOWING CHAIN**

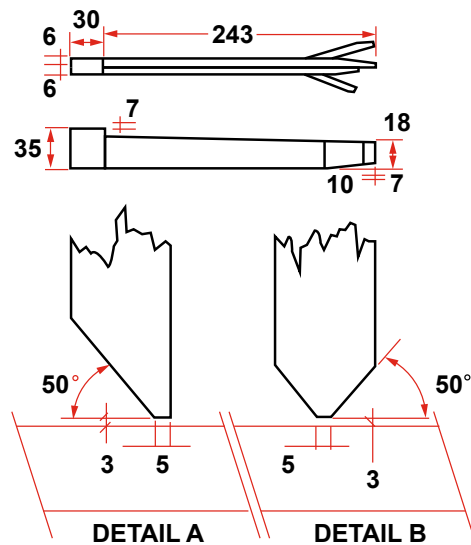


AT LEAST THIS PART OF BOLT AND HOLES TO BE MACHINED

APPROX. WEIGHT 375 KG EACH



DECK UNDERNEATH TO BE REINFORCED IF NECESSARY. STARBOARD CONNECTION IS DRAWN, PORT CONNECTION IS REFLECTED IMAGE.



P. O. Box 596 (90748) • 910 Mahar Ave., Wilmington, CA 90744
 (800) 322-3131 • (310) 522-9698 • Fax: (310) 522-1043
 E-Mail: sales@watermansupply.com
 www.watermansupply.com
 TradeNet ID 61935