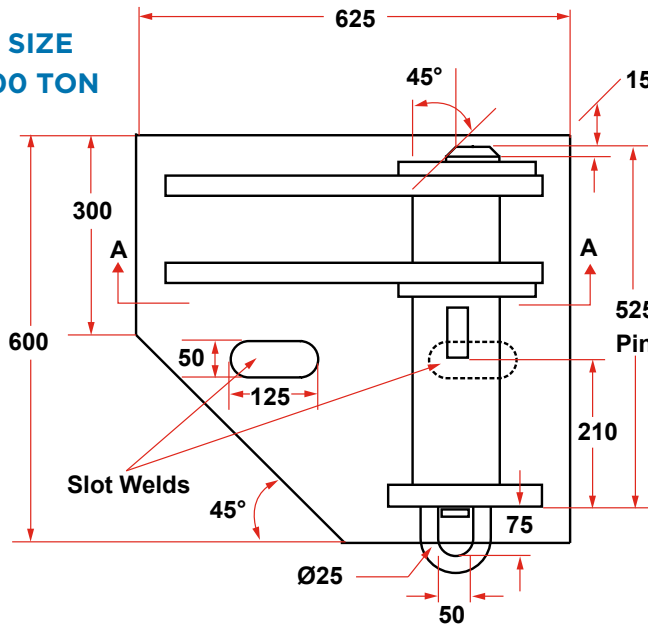




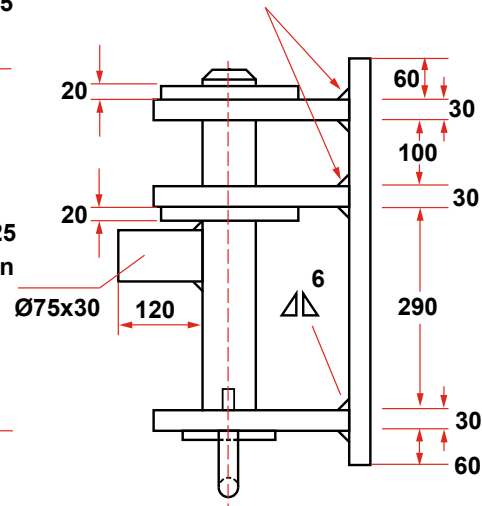
TOWING

SMIT BRACKET
WITH ABS CERTIFICATION

SMALL SIZE
SWL 100 TON

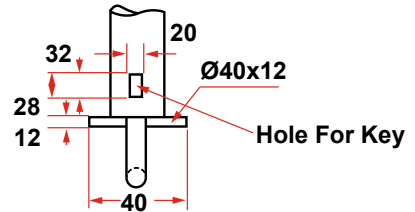
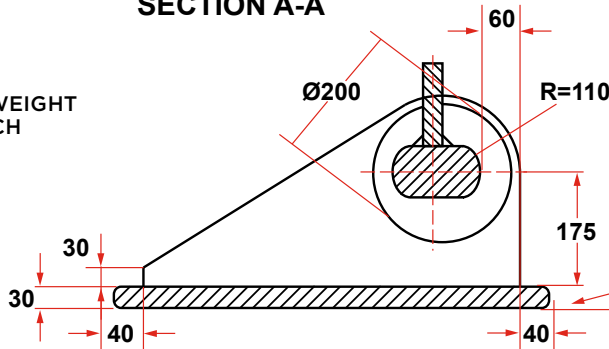


CONNECTION FOR 2-3/4" - 3"
TOWING CHAIN

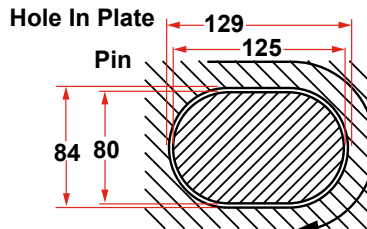
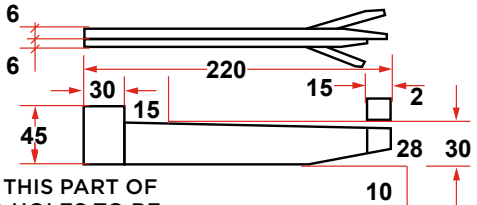


SECTION A-A

APPROX. WEIGHT
195 KG EACH



KEY



DECK UNDERNEATH
TO BE REINFORCED IF
NECESSARY. STARBOARD
CONNECTION IS DRAWN,
PORT CONNECTION IS
REFLECTED IMAGE.

AT LEAST THIS PART OF
BOLT AND HOLES TO BE
MACHINED



P. O. Box 596 (90748) • 910 Mahar Ave., Wilmington, CA 90744
(800) 322-3131 • (310) 522-9698 • Fax: (310) 522-1043
E-Mail: sales@watermansupply.com
www.watermansupply.com
TradeNet ID 61935