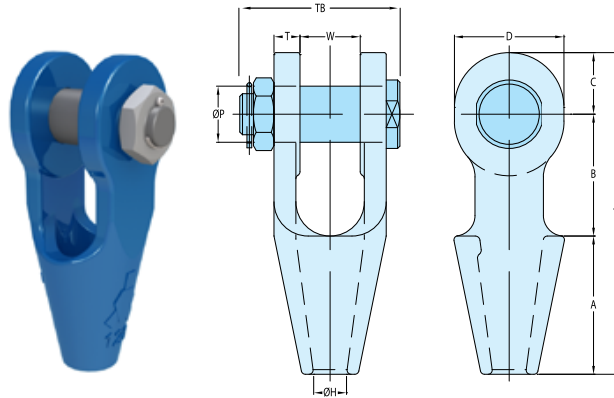




SOCKETS

OPEN SPELTER SOCKETS JIS WITH BOLT

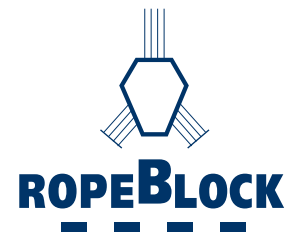
QUENCHED AND TEMPERED CAST STEEL



MODEL NR.	MBL (USTONS)	FOR WIRE Ø		DIMENSIONS (INCH)										WEIGHT (LBS)
		MM	INCH	A	B	C	D	Ø H	Ø P	T	TL	TB	W	
OSS 100-J20-B30	31	20	3/4	3 1/2	3	1 9/16	2 3/4	13/16	1 3/16	5/8	8 1/16	4 3/16	1 1/2	6.6
OSS 104-J22-B34	39	22,4	7/8	4	3 1/2	1 3/4	3 1/8	15/16	1 5/16	3/4	9 1/4	4 13/16	1 3/4	9.7
OSS 108-J24-B37	45	24	1	4 1/2	4	2 3/8	4 1/8	1 1/8	1 7/16	7/8	10 13/16	5 7/16	2	18
OSS 108-J25-B40	57	25	1	4 1/2	4	2 3/8	4 1/8	1 1/8	1 9/16	7/8	10 13/16	5 7/16	2	18
OSS 111-J28-B43	62	28	1 1/8	5	4 1/2	2 9/16	4 1/2	1 1/4	1 11/16	1	12 1/16	6 5/16	2 1/4	25
OSS 111-J30-B46	76	30	1 1/8	5	4 1/2	2 9/16	4 1/2	1 1/4	1 13/16	1	12 1/16	6 5/16	2 1/4	25.6
OSS 115-J32-B48	76	31,5	1 1/4 - 1 3/8	5 1/2	5	2 13/16	4 15/16	1 1/2	1 7/8	1 1/8	13 5/16	6 7/8	2 1/2	33
OSS 115-J34-B52	97	33,5	1 1/4 - 1 3/8	5 1/2	5	2 13/16	4 15/16	1 1/2	2 1/16	1 1/8	13 5/16	6 7/8	2 1/2	33.5
OSS 118-J36-B56	104	35,5	1 1/2	6	6 3/8	3 1/8	5 9/16	1 5/8	2 3/16	1 3/16	15 1/2	7 15/16	3	48.5

MBL = Minimum Breaking Load

The standard finish of our sockets is blue. Hot dipped galvanized is also available. Socket range OSS 196 until OSS 100 is delivered with galvanized finish, other finishes are available upon request. All sockets are provided with an EN 10204-2.1 declaration of conformity, EN 10204-3.1 material certificate and can be provided with a 2006/42/EC declaration where applicable.



P. O. Box 596 (90748) • 910 Mahar Ave., Wilmington, CA 90744

(800) 322-3131 • (310) 522-9698 • Fax: (310) 522-1043

E-Mail: sales@watermansupply.com

www.watermansupply.com

TradeNet ID 61935