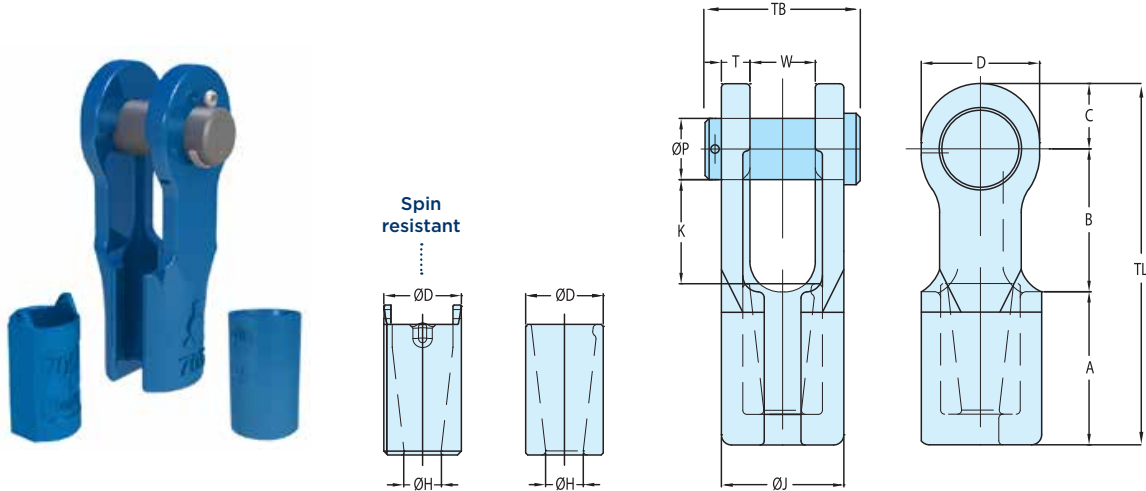




# SOCKETS

## FAST CONNECTOR SOCKETS WITH PIN QUENCHED AND TEMPERED CAST STEEL

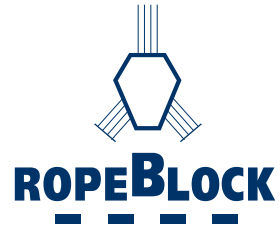


MODEL NR.	REEVING AID	MBL (USTONS)	FOR WIRE Ø		DIMENSIONS (INCH)													WEIGHT (LBS)
			MM	INCH	A	B	C	Ø H	Ø P	T	W	D	Ø D	Ø J	K	TB	TL	
FCS 701 P	-	22	11-13	7/16 - 1/2	2 7/16	2 3/8	1 1/16	9/16	1	1/2	1	1 15/16	1 5/16	1 15/16	1 13/16	2 5/8	5 7/8	4
FCS 702 P	-	28	13-16	1/2 - 5/8	2 13/16	3 1/16	1 1/4	1 1/16	1 3/16	9/16	1 1/4	2 5/16	1 1/2	2 3/8	2 5/16	3 3/8	7 3/16	6
FCS 703 P	-	44	16-19	5/8 - 3/4	3 3/8	3 11/16	1 9/16	1 3/16	1 3/8	5/8	1 2/4	2 3/4	1 12/16	2 3/4	2 11/16	3 3/4	8 9/16	10
FCS 704 P	-	61	20-22	7/8	4	4 3/16	1 3/4	1 5/16	1 5/8	3/4	1 3/4	3 1/8	1 15/16	3 1/4	3 3/16	4 5/16	9 15/16	14
FCS 705 P	-	83	23-26	1	4 1/2	4 13/16	2 3/8	1 1/8	2	7/8	2	4 1/8	2 3/8	3 3/4	3 9/16	5 1/16	11 6/8	24
FCS 706 P	-	99	27-29	1 1/8	5 1/2	6	2 9/16	1 1/4	2 1/4	1	2 1/4	4 1/2	2 3/4	4 3/16	4 9/16	5 9/16	14 1/16	35
FCS 705 P.SR	T 705	83	23-26	1	4 1/2	4 13/16	2 3/8	1 1/8	2	7/8	2	4 1/8	2 3/8	3 3/4	3 9/16	5 1/16	11 6/8	24
FCS 706 P.SR	T 706	99	27-29	1 1/8	5 1/2	6	2 9/16	1 1/4	2 1/4	1	2 1/4	4 1/2	2 3/4	4 3/16	4 9/16	5 9/16	14 1/16	35
FCS 707 P.SR	T 706	138	30-32	1 1/4	5 7/8	6 1/2	2 7/8	1 7/16	2 1/2	1 1/8	2 1/2	4 15/16	3 1/8	4 11/16	4 3/4	6 1/8	15 1/16	40
FCS 708 P.SR	T 706	138	33-36	1 3/8	6 5/16	6 3/4	2 7/8	1 9/16	2 1/2	1 1/8	2 11/16	4 15/16	3 3/8	4 15/16	5 1/8	6 5/16	15 7/8	51
FCS 709 P.SR	T 709	165	37-39	1 1/2	6 15/16	7 3/8	3 1/8	1 5/8	2 3/4	1 3/16	3	5 9/16	3 9/16	5 3/8	5 9/16	6 15/16	17 7/16	64
FCS 710 P.SR	T 709	187	40-42	1 5/8	7 3/8	7 13/16	3 7/16	1 3/4	3	1 5/16	3	6 1/8	3 3/4	5 9/16	5 7/8	7 3/8	18 11/16	79
FCS 711 P.SR	T 711	248	43-48	1 3/4 - 1 7/8	8 1/4	9 1/8	3 15/16	2 1/16	3 1/2	1 9/16	3 1/2	6 15/16	4 5/16	6 9/16	6 7/8	8 7/16	21 5/16	128



REEVING TOOL (OPTIONAL)

MBL = Minimum Breaking Load  
The standard finish of our sockets is blue. Hot dipped galvanized is also available. All sockets are provided with an EN 10204-2.1 declaration of conformity, EN 10204-3.1 material certificate and can be provided with a 2006/42/EC declaration where applicable.



P. O. Box 596 (90748) • 910 Mahar Ave., Wilmington, CA 90744  
**(800) 322-3131 • (310) 522-9698 • Fax: (310) 522-1043**  
**E-Mail: sales@watermansupply.com**  
**www.watermansupply.com**  
**TradeNet ID 61935**