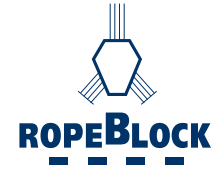
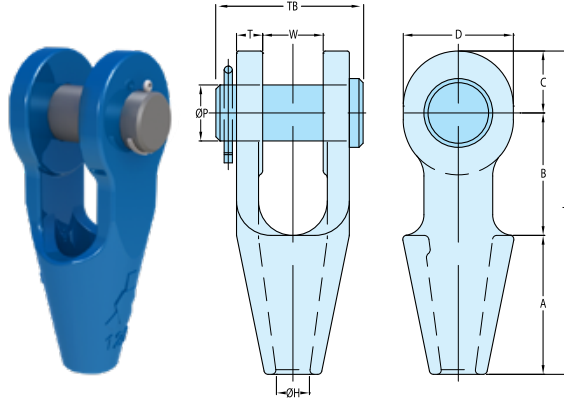




SOCKETS

OPEN SPELTER SOCKETS WITH PIN QUENCHED AND TEMPERED CAST STEEL



MODEL NR.	MBL (USTONS)	FOR WIRE		STRAND		DIMENSIONS (INCH)										WEIGHT (LBS)
		MM	INCH	MM	INCH	A	B	C	D	Ø H	Ø P	T	TL	TB	W	
OSS 196 P	9	6-7	1/4	-	-	1 15/16	1 9/16	3/4	1 5/16	3/8	5/8	3/8	4 5/16	2	3/4	0.9
OSS 197 P	13	8-10	3/8	-	-	2 1/4	1 3/4	7/8	1 5/8	1/2	1 3/16	7/16	4 7/8	2 1/2	1 3/16	1.5
OSS 198 P	22	11-13	7/16 - 1/2	-	-	2 1/2	2	1 1/16	1 5/16	9/16	1	7/16	5 9/16	2 5/8	1	2.2
OSS 199 P	28	14-16	9/16 - 5/8	13	1/2	3	2 1/2	1 1/4	2 5/16	1 1/16	1 3/16	9/16	6 3/4	3 3/8	1 1/4	4.0
OSS 100 P	44	18-19	3/4	14-16	9/16 - 5/8	3 1/2	3	1 9/16	2 3/4	7/8	1 3/8	5/8	8 1/16	3 3/4	1 1/2	7
OSS 104 P	61	20-22	7/8	18-19	3/4	4	3 1/2	1 3/4	3 1/8	1	1 5/8	3/4	9 1/4	4 5/16	1 3/4	10
OSS 108 P	83	23-26	1	20-22	7/8	4 1/2	4	2 3/8	4 1/8	1 1/8	2	7/8	10 13/16	5 1/16	2	18
OSS 111 P	99	27-30	1 1/8	23-26	1	5	4 1/2	2 9/16	4 1/2	1 5/16	2 1/4	1	12 1/16	5 9/16	2 1/4	24
OSS 115 P	138	31-36	1 1/4 - 1 3/8	27-28	1 1/16 - 1 1/8	5 1/2	5	2 13/16	4 15/16	1 9/16	2 1/2	1 1/8	13 5/16	6 1/8	2 1/2	34
OSS 118 P	165	37-39	1 1/2	30-32	1 3/16 - 1 1/4	6	6 3/8	3 1/8	5 9/16	1 11/16	2 3/4	1 3/16	15 1/2	6 15/16	3	48
OSS 120 P	187	40-42	1 5/8	33-35	1 5/16 - 1 3/8	6 1/2	6 1/2	3 7/16	6 1/8	1 13/16	3	1 5/16	16 7/16	7 3/8	3	60
OSS 125 P	248	43-48	1 3/4 - 1 7/8	36-40	1 7/16 - 1 5/8	7 1/2	7	3 15/16	6 15/16	2 1/16	3 1/2	1 9/16	18 7/16	8 7/16	3 1/2	90
OSS 128 P	309	49-54	2 - 2 1/8	42-45	1 5/8 - 1 3/4	8 1/2	9	4 1/4	7 5/8	2 5/16	3 3/4	1 3/4	21 3/4	9 5/8	4	132
OSS 130 P	397	55-60	2 1/4 - 2 3/8	46-48	1 13/16 - 1 7/8	9	10	4 3/4	8 1/4	2 9/16	4 1/4	2 1/16	23 3/4	10 13/16	4 7/16	194
OSS 132 P	468	61-68	2 1/2 - 2 5/8	50-54	2 - 2 1/8	9 3/4	10 3/4	5 1/4	9 5/16	2 15/16	4 3/4	2 3/8	25 3/4	11 13/16	5	261
OSS 135 P	507	69-75	2 3/4 - 2 7/8	56-62	2 1/4 - 2 1/2	11	11	5 7/16	9 7/16	3 3/16	5	2 7/8	27 3/8	13 3/16	5 1/4	342
OSS 138 P	617	76-80	3 - 3 1/8	64-67	2 1/2 - 2 5/8	12	11 1/4	5 3/4	9 15/16	3 1/2	5 1/4	3	29	14	5 3/4	410
OSS 140 P	689	81-86	3 1/4 - 3 3/8	69-76	2 3/4 - 3	13	11 3/4	6 5/16	11 7/16	3 5/8	5 1/2	3 1/8	31	14 3/4	6 1/4	499
OSS 142 P	794	87-93	3 1/2 - 3 5/8	78-86	3 1/16 - 3 3/8	14	12 1/2	7	12 5/8	3 7/8	6	3 1/4	33 1/2	15 3/4	6 3/4	624
OSS 144 P	965	94-102	3 3/4 - 4	88-96	3 7/16 - 3 3/4	15	13 1/2	7 1/2	13 3/4	4 1/4	7	3 1/2	36	17 1/8	7 1/2	825
OSS 146 P	1323	108-115	4 1/4 - 4 1/2	98-110	3 7/8 - 4 5/16	17 11/16	18 7/8	8 7/16	15 3/4	5 1/16	7 11/16	3 15/16	45 1/16	18 5/16	8 1/16	1188
OSS 150 P	1543	120-130	4 3/4 - 5	112-124	4 7/16 - 4 7/8	19 11/16	19 11/16	9 13/16	17 11/16	5 13/16	8 11/16	4 5/16	49 3/16	20 11/16	8 7/8	1678
OSS 155 P	1764	135-140	5 1/4 - 5 1/2	125-132	4 15/16 - 5 3/16	21 1/4	19 9/16	10 3/8	18 7/8	6 1/16	9 7/16	5 1/2	51 3/16	23 1/4	9 1/16	2352
OSS 160 P	2205	142-153	5 3/4 - 6	133-143	5 1/4 - 5 5/8	23 1/16	19 7/8	10 13/16	19 11/16	6 3/4	10 1/16	5 1/2	53 3/4	24	9 13/16	2584
OSS 165 P	2447	154-165	6 1/4 - 6 1/2	144-154	5 11/16 - 6 1/4	24 13/16	20 7/8	11 13/16	21 5/8	7 5/16	10 13/16	5 7/8	57 1/2	25 3/16	10 1/4	3177
OSS 170 P	2756	166-178	6 3/4 - 7	155-166	6 1/4 - 6 3/4	26 3/4	22 7/16	12 3/16	22 7/16	7 13/16	11 5/8	5 7/8	61 7/16	26	11	3560
OSS 175 P	3086	180-191	7 1/4 - 7 1/2	167-179	6 9/16 - 7 1/16	28 9/16	23 5/8	12 13/16	23 5/8	8 3/8	12 3/16	6 1/8	64 15/16	27 1/8	11 13/16	4204
OSS 180 P	3527	192-204	7 3/4 - 8	180-191	7 1/4 - 7 1/2	30 1/2	24 7/16	13 9/16	25 3/16	9	13	6 5/16	68 1/2	28 3/8	12 5/8	4936

MBL = Minimum Breaking Load
 The standard finish of our sockets is blue. Hot dipped galvanized is also available. Socket range OSS 196 until OSS 100 is delivered with galvanized finish, other finishes are available upon request. All sockets are provided with an EN 10204-2.1 declaration of conformity, EN 10204-3.1 material certificate and can be provided with a 2006/42/EC declaration where applicable.



P. O. Box 596 (90748) • 910 Mahar Ave., Wilmington, CA 90744
 (800) 322-3131 • (310) 522-9698 • Fax: (310) 522-1043
 E-Mail: sales@watermansupply.com
 www.watermansupply.com
 TradeNet ID 61935