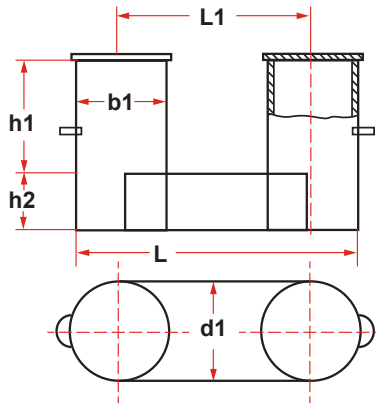




DECK FITTINGS

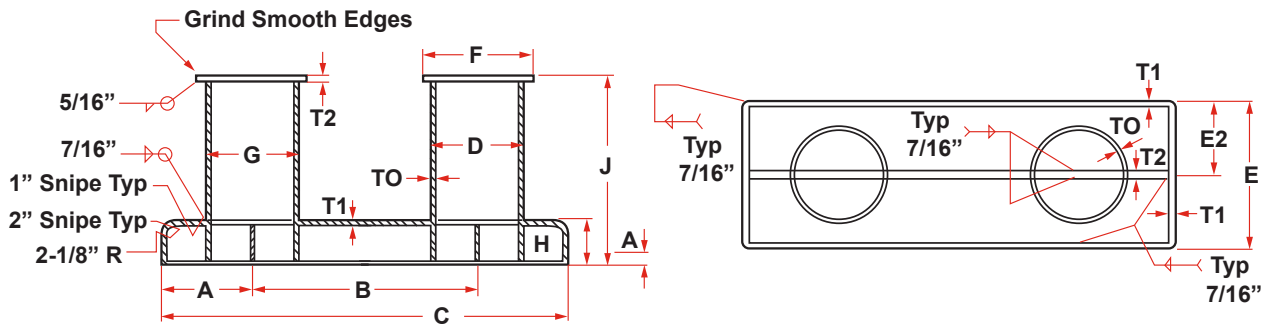
DECK BOLLARDS - DOUBLE BITTS

BOLLARDS DB-138



NOMINAL DIA.	DIMENSIONS IN MM						MAX. B.L. OF ROPE TON	MASS (KG)
	B1	D1	H1	H2	L1	L		
100	114	114	150	75	250	364	4	16
125	140	140	190	80	315	455	4	24
160	168	168	250	90	400	568	5	38
200	219	219	300	100	500	719	8	60
250	273	273	360	125	630	903	12	101
315	324	324	480	150	800	1124	20	197
400	406	406	600	175	1000	1406	32	371
500	508	508	750	200	1250	1758	46	635
630	610	610	940	225	1570	2180	70	1162
710	711	711	1050	250	1750	2461	82	1509
800	813	813	1200	275	2000	2813	100	2081

The bollard suitable for wire or rope with breaking load (tons) when cross belayed on the bollard - for mooring, when belayed on one bitt only approximately 2xb.l. is valid - for towing, bollard scantlings per iso 3913.



DIMENSIONS (INCHES)											
DRAWING	BARREL	PIPE CHED.	A	B	C	D	E	F	G	H	J
S 1051F	10	120	8-5/8	22	39-1/4	10-3/4	17-1/4	14	11	7	24
S 1052F	12	80	12-3/4	31-1/2	57	12-3/4	19	15-3/4	13	7	27
S 1123F	14	80	14-1/4	35-1/2	64	14	21-1/2	17	14-1/4	7-1/2	30
S 1124F	16	80	15-3/4	39-1/2	71	16	24	19	16-1/4	8	33
S 1128F	18	80	17-3/4	44-1/2	80	18	27	21-1/2	18-1/4	8-1/2	36
S 1345F	20	80	19-7/8	49-1/4	89	20	30	24	20-1/4	9	40
S 1346F	24	80	25	66	116	24	38	31	24-1/4	10	54



P. O. Box 596 (90748) • 910 Mahar Ave., Wilmington, CA 90744
 (800) 322-3131 • (310) 522-9698 • Fax: (310) 522-1043
 E-Mail: sales@watermansupply.com
 www.watermansupply.com
 TradeNet ID 61935