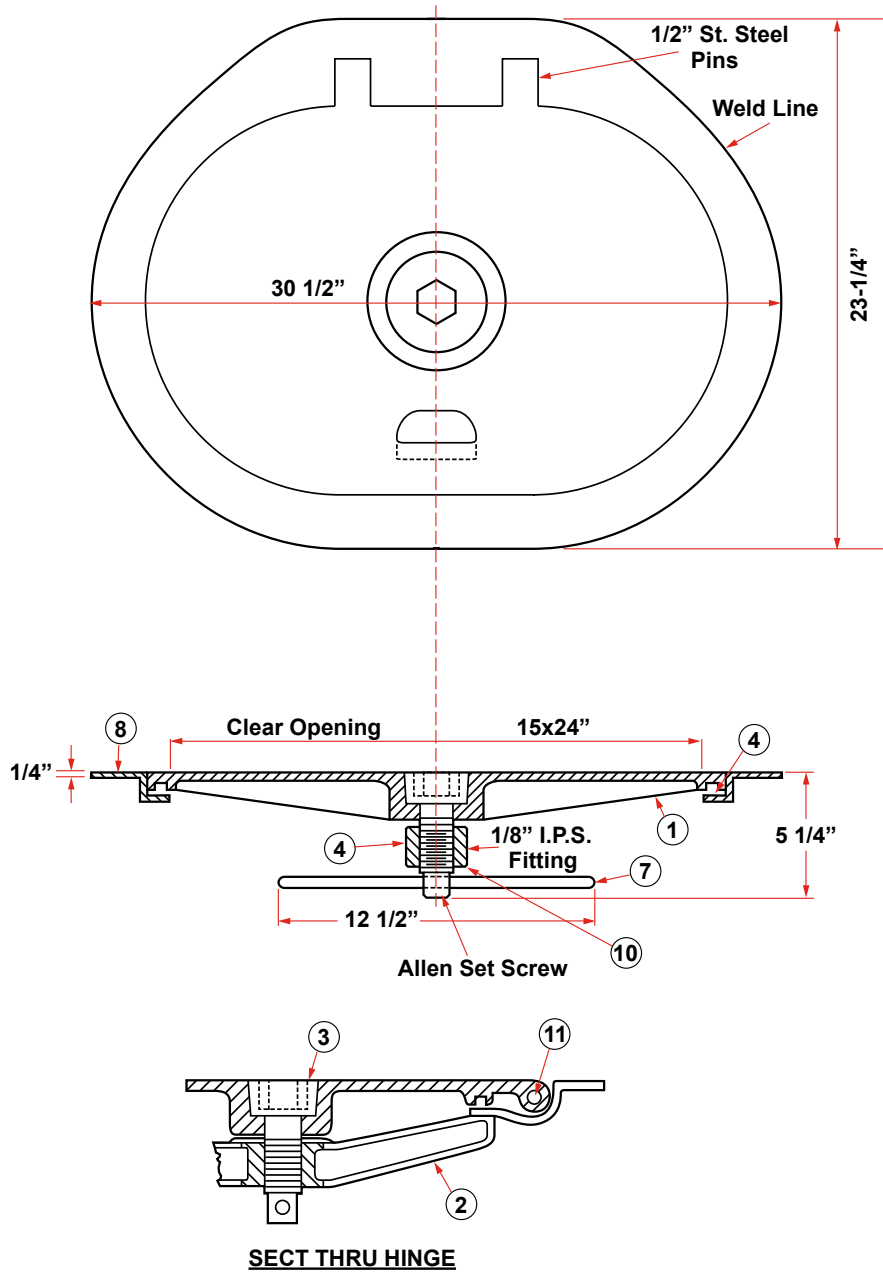




**DOORS/HATCHES**

**HINGED FLUSH TYPE**



**HINGED OVAL DOGGED TYPE  
15X24 CLEAR OPENING  
TYPE "C" POSITIVE LOCKING**

BILL OF MATERIAL		
NO.	DESC.	MAT'L
1	Cover	*
2	Strongback	*
3	Bolt	Bronze
4	Gasket	Neoprene
5	Washer	St. Steel
6	Washer	Neoprene
7	Rod-1/2" ø	Steel
8	Deck Ring	*
9	Wrench	Galv. Steel
10	Lube Zerk	Ann. Steel
11	Hinge Pins	St. Steel

\*Available in corrosion resistant aluminum or galv. steel



P. O. Box 596 (90748) • 910 Mahar Ave., Wilmington, CA 90744  
 (800) 322-3131 • (310) 522-9698 • Fax: (310) 522-1043  
 E-Mail: sales@watermansupply.com  
 www.watermansupply.com  
 TradeNet ID 61935