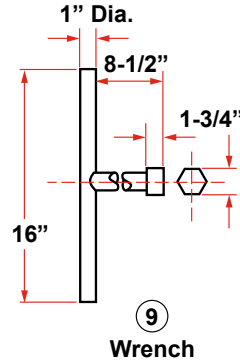
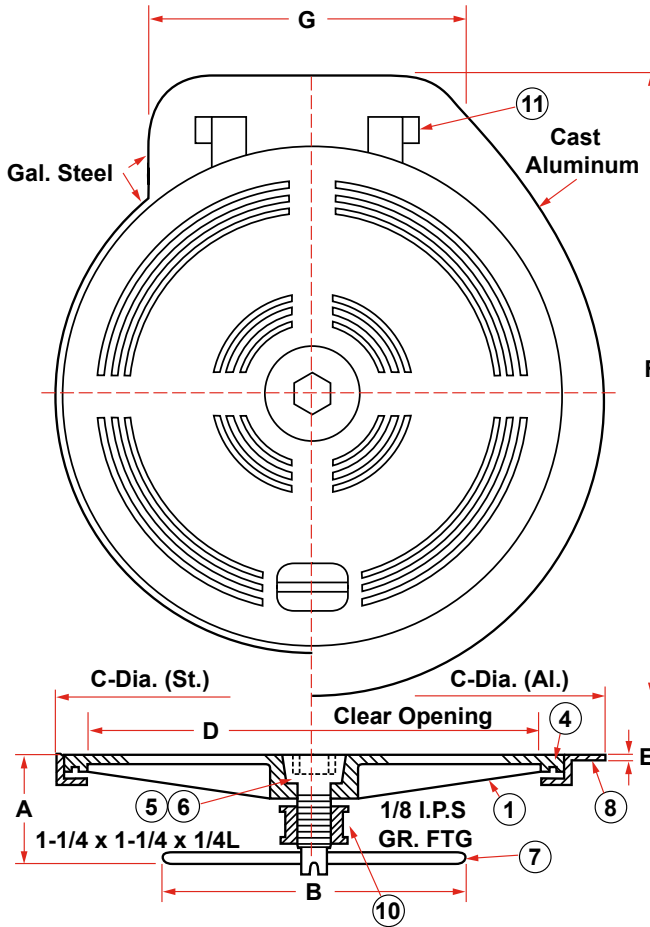




DOORS/HATCHES

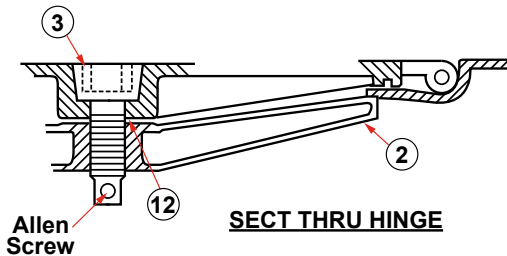
HINGED ROUND-DOGGED TYPE

CLEAR OPENING - 22", TYPE "C" POSITIVE LOCKING



BILL OF MATERIAL		
NO.	DESC.	MAT'L
1	Cover	*
2	Yoke	* 3 arms
3	Bolt	Bronze
4	Gasket	Neoprene
5	Washer	St. Steel
6	Washer	Neoprene
7	Rod-1/2" DIA.	Steel
8	Deck Ring	*
9	Wrench	Galv. Steel
10	Lube Zerk	Anodized Steel
11	Hinge Pin	Stainless Steel
12	Spring	Stainless Steel

*Available in corrosion resistant aluminum or galv. steel



MODEL NO.	SIZE.	WEIGHT (LBS.)		DIMENSIONS - (INCHES)						
		COVER	RING	A	B	C	D	E	F	G
AL.	22"	21	13	5-1/2	12-1/2	28-1/2	22	1/4	30-1/4	14
ST.		63	27			23-3/4				

WEIGHT ARE FOR ALUMINUM - FOR G. STEEL, MANUF. BY 3.0



P. O. Box 596 (90748) • 910 Mahar Ave., Wilmington, CA 90744
 (800) 322-3131 • (310) 522-9698 • Fax: (310) 522-1043
 E-Mail: sales@watermansupply.com
 www.watermansupply.com
 TradeNet ID 61935