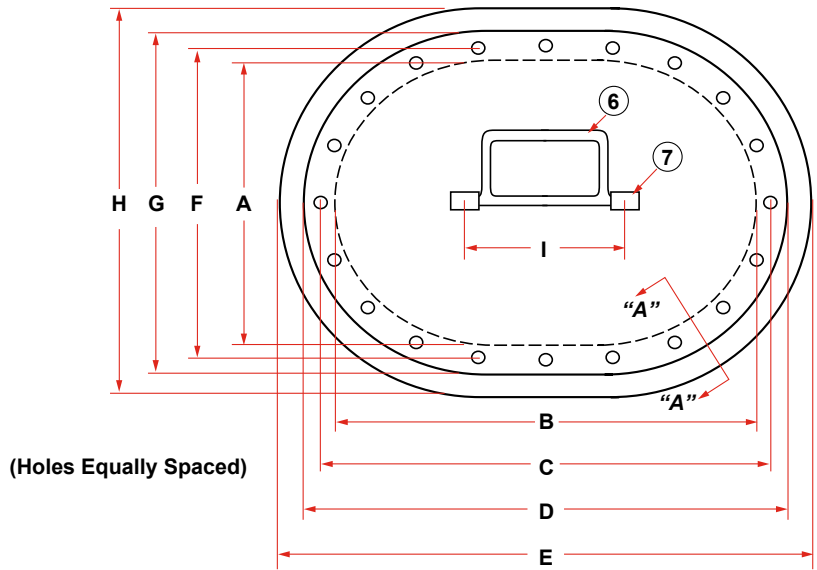


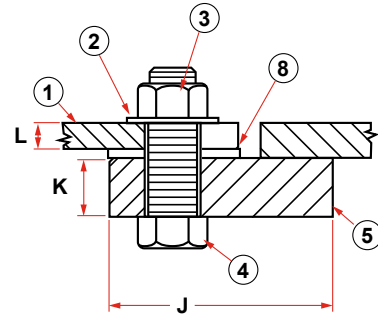


**DOORS/HATCHES**

**FLUSH BOLTED HATCH**



NOTE: Lampwick grommet furnished by others if required.



**SECTION "A-A"**

PIECE NO.	DESCRIPTION	PART NUMBER		MATERIAL
		DF-503	DF-504	
1	COVER	21229	21318	MILD STEEL
2	WASHER	21237	21237	BRASS
3	NUT	21245	21245	STAINLESS STEEL
4	BOLT	14613	14613	STEEL
5	DECK RING	21253	21326	MILD STEEL
6	HANDLE	21261	21261	MILD STEEL
7	HANDLE RETAINER	21288	21288	MILD STEEL
8	GASKET	21296	21334	NEOPRENE

MODEL NO.	PART NO.	SIZE	A	B	C	D	E	F	G	H	I	J	K	L	WT. (lbs.)
DF-503	21113	15 X 23	15	23	24-1/4	26-1/2	29	16-1/4	18-1/2	21	9	3	3/4	3/8	95
DF-504	21121	18 X 24	18	24	25-1/4	27-1/2	30	19-1/4	21-1/2	24	9	3	3/4	3/8	112

The specification and details described by drawings or text in this literature are subject to change without notice.



P. O. Box 596 (90748) • 910 Mahar Ave., Wilmington, CA 90744  
 (800) 322-3131 • (310) 522-9698 • Fax: (310) 522-1043  
 E-Mail: sales@watermansupply.com  
 www.watermansupply.com  
 TradeNet ID 61935