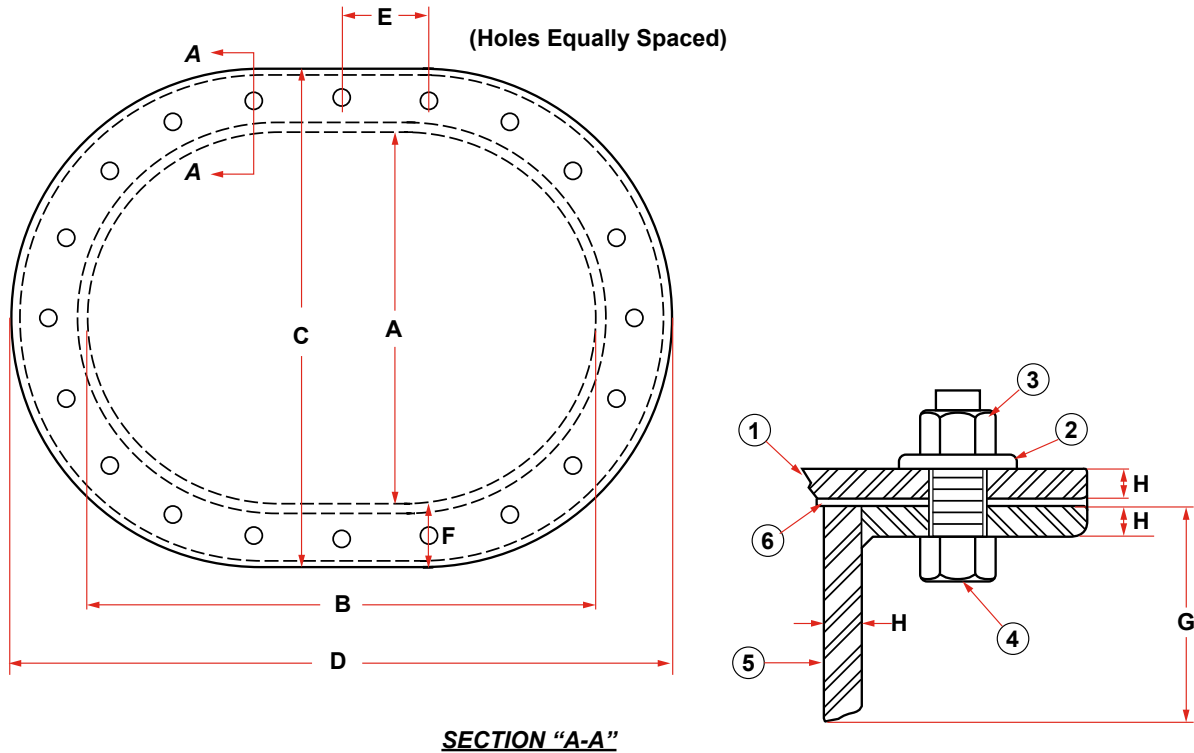


RAISED BOLTED HATCH



PIECE NO.	DESCRIPTION	PART NUMBER		MATERIAL
		DF-501	DF-502	
1	COVER PLATE	21342	21350	STEEL
2	WASHER	21237	21237	BRASS
3	HEX NUT	21245	21245	STAINLESS
4	HEX BOLT	14605	14605	STEEL
5	COAMING	21369	21377	STEEL
6	GASKET	21385	21393	NEOPRENE

MODEL NO.	PART NO.	SIZE	A	B	C	D	E	F	G	H	WT. (lbs.)
DF-501	21091	15 X 23	15	23	20	28-3/4	3-5/8	2-1/2	2-1/2	3/8	85
DF-502	21105	18 X 24	18	24	23	29-3/4	3-1/4	2-1/2	2-1/2	3/8	106

The specification and details described by drawings or text in this literature are subject to change without notice.