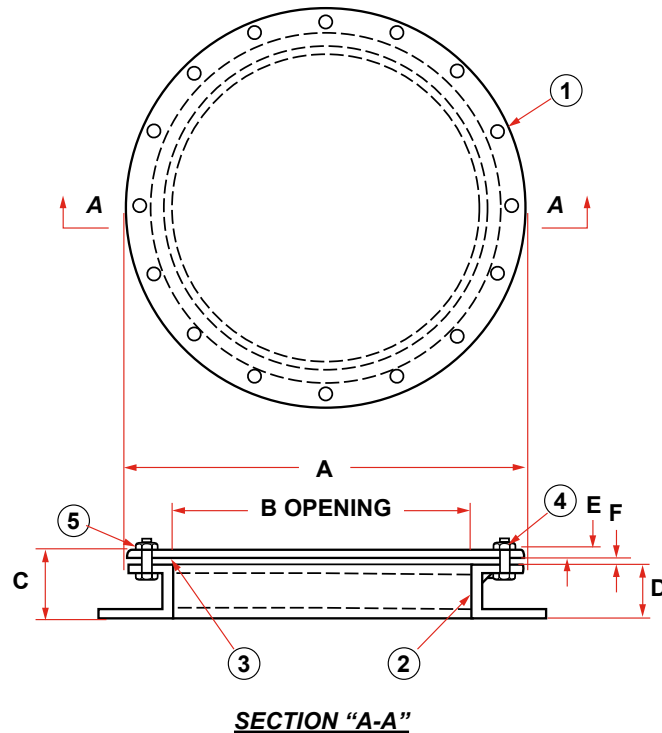


## CLEAN OUT HATCH



PIECE NO.	DESCRIPTION	PART NUMBER		MATERIAL
		DF-154-18	DF-154-14	
1	HATCH COVER	77216	76767	MILD STEEL
2	COAMING	77232	76783	MILD STEEL
3	GASKET	77224	76775	NEOPRENE
4	5/8" BOLT	14613	14613	STEEL
5	5/8" NUT	16179	16179	BRASS

MODEL NO.	PART NO.	SIZE	A	B	C	D	E	F	WT. (lbs.)
DF-154-14	15407	14	19	14	3-1/4	2-1/2	3/8	3/8	60
DF-154-18	77240	18	23	18	3-1/4	2-1/2	3/8	3/8	78

The specification and details described by drawings or text in this literature are subject to change without notice.