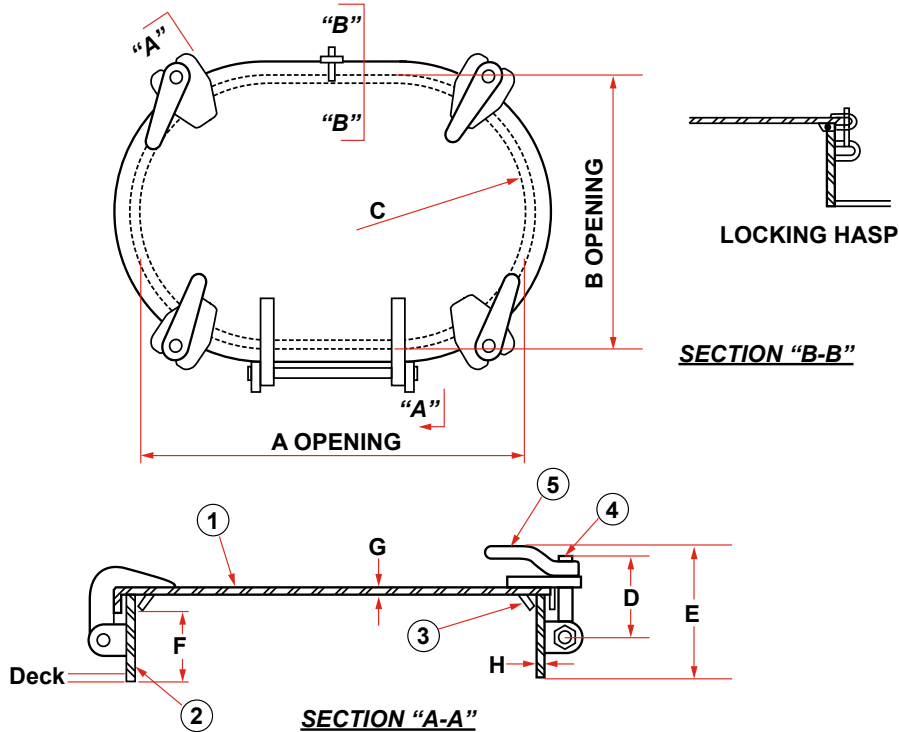




DOORS/HATCHES

RAISED WATERTIGHT HATCH



| PIECE NO. | DESCRIPTION | PART NUMBER | | MATERIAL |
|-----------|------------------|-------------|----------|-----------------|
| | | DF-174-5 | DF-464-5 | |
| 1 | Cover Assembly** | 77887 | 78484 | Mild Steel |
| 2 | Coaming | 74897 | 19551 | Mild Steel |
| 3 | Gasket | 74497 | 78530 | Neoprene† |
| 4 | Tumble Bolt | 10774 | 10774 | Bronze |
| 5 | Dog Handle | 74837 | 74837 | Malleable Iron |
| | Flame Screen* | 17051 | 19445 | Stainless Steel |

| MODEL NO. | PART NO. | SIZE | A | B | C | D | E | F | G | H | WT. (lbs.) |
|-----------|----------|---------|--------|--------|-------|-------|-------|---|------|-----|------------|
| DF-174-5 | 72451 | 15 x 23 | 23 | 15 | 7-1/2 | 5-1/4 | 8-5/8 | 5 | 5/16 | 3/8 | 95 |
| DF-464-5 | 78514 | 18 x 24 | 24-1/4 | 18-1/4 | 9-1/8 | 5-1/4 | 8-5/8 | 5 | 5/16 | 3/8 | 105 |

*OPTIONAL EXTRA
 ** Gasket included w/cover assembly
 † Other gasket material available
 Other optional extras include galvanized finish, a flame screen and a variety of coaming heights.
 The specification and details described by drawings or text in this literature are subject to change without notice.



P. O. Box 596 (90748) • 910 Mahar Ave., Wilmington, CA 90744
 (800) 322-3131 • (310) 522-9698 • Fax: (310) 522-1043
 E-Mail: sales@watermansupply.com
 www.watermansupply.com
 TradeNet ID 61935