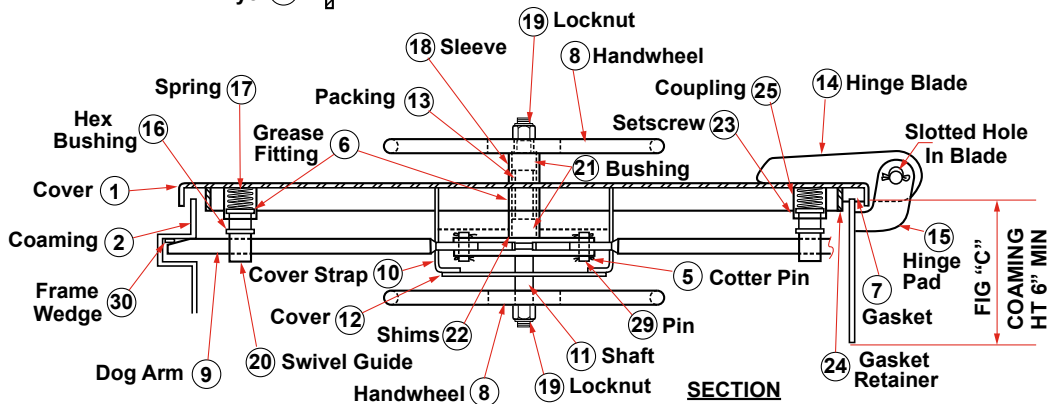
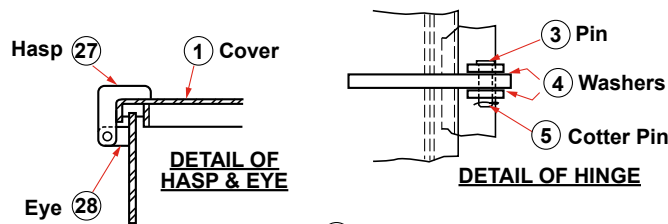
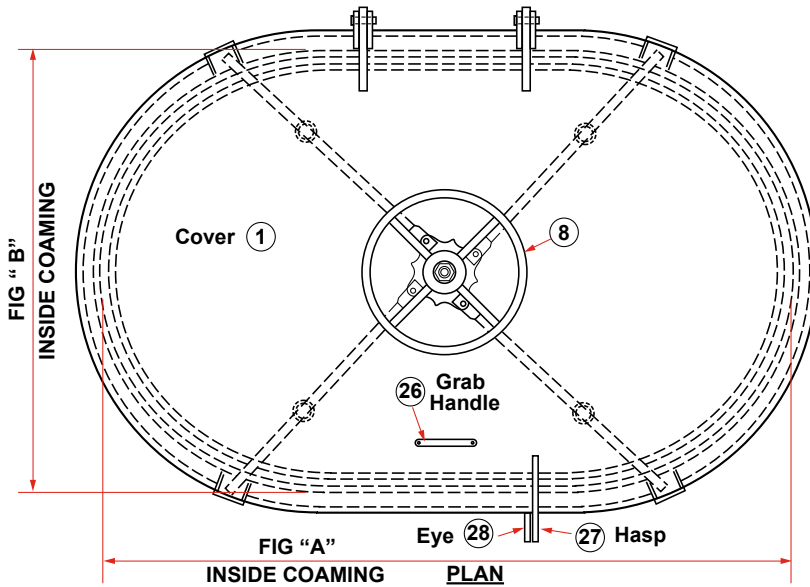




DOORS/HATCHES

**QUICK ACTING OVAL HATCH
DRAWING NO. 203**

**SCHEDULE OF
MATERIAL**



PC. NO.	MATERIAL
1	Mild Steel
2	Mild Steel
3	Brass
4	Brass
5	Brass
6	Brass
7	Neoprene
8	Mild Steel
9	Mild Steel
10	Mild Steel
11	Cold Finish
12	Mild Steel
13	Graphite
14	Mild Steel
15	Mild Steel
16	Mild Steel
17	Spring Steel
18	Mild Steel
19	Mild Steel
20	Brass
21	Delrin
22	Brass
23	Steel
24	Mild Steel
25	Mild Steel
26	Mild Steel
27	Mild Steel
28	Mild Steel
29	Brass
30	Mild Steel



P. O. Box 596 (90748) • 910 Mahar Ave., Wilmington, CA 90744
 (800) 322-3131 • (310) 522-9698 • Fax: (310) 522-1043
 E-Mail: sales@watermansupply.com
 www.watermansupply.com
 TradeNet ID 61935