

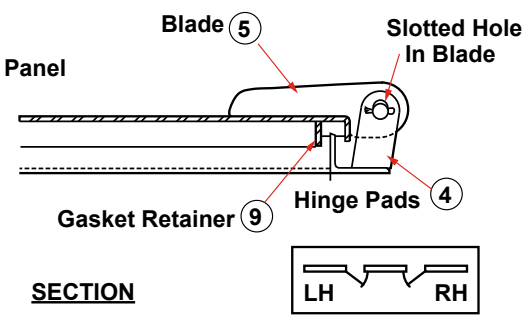
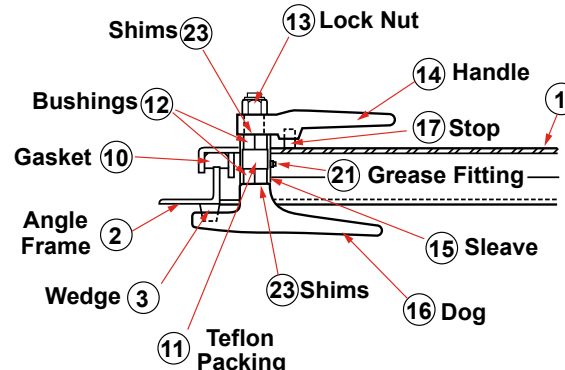
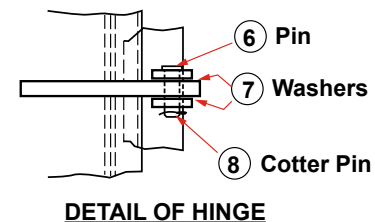
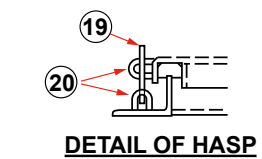
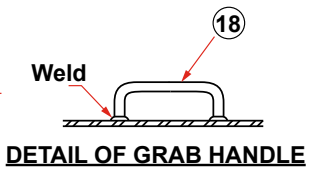
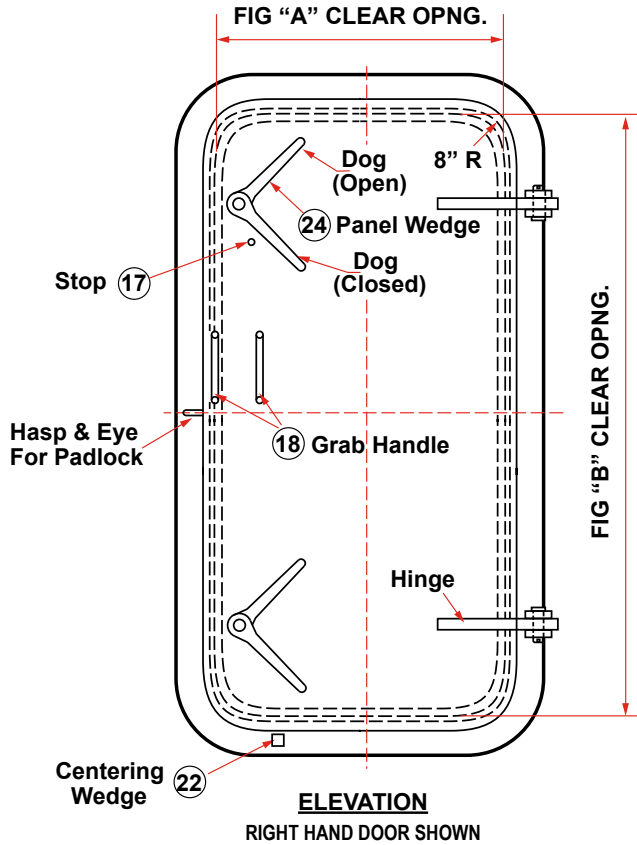


DOORS/HATCHES

**WEATHERTIGHT DOOR WITH 2 DOGS
DRAWING NO. 100**

SCHEDULE OF MATERIAL

PC. NO.	MATERIAL
1	Mild Steel
2	Mild Steel
3	Frg. Stl.
4	Mild Steel
5	Mild Steel
6	Brass
7	Teflon
8	Stainless
9	Mild Steel
10	Neoprene
11	Teflon
12	Delrin
13	Plated Steel
14	Frg. Stl.
15	Mild Steel
16	Frg. Stl.
17	Mild Steel
18	Mild Steel
19	Mild Steel
20	Mild Steel
21	Plated Steel
22	Mild Steel
23	Stainless
24	Mild Steel



P. O. Box 596 (90748) • 910 Mahar Ave., Wilmington, CA 90744
 (800) 322-3131 • (310) 522-9698 • Fax: (310) 522-1043
 E-Mail: sales@watermansupply.com
 www.watermansupply.com
 TradeNet ID 61935