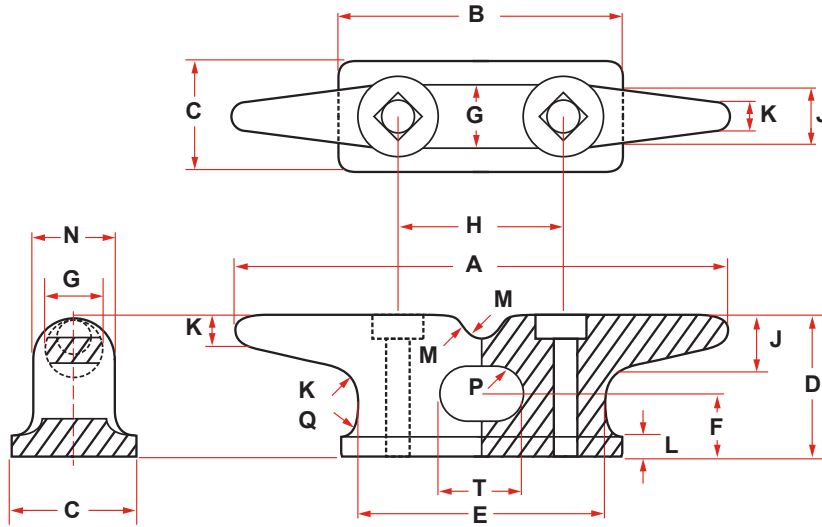


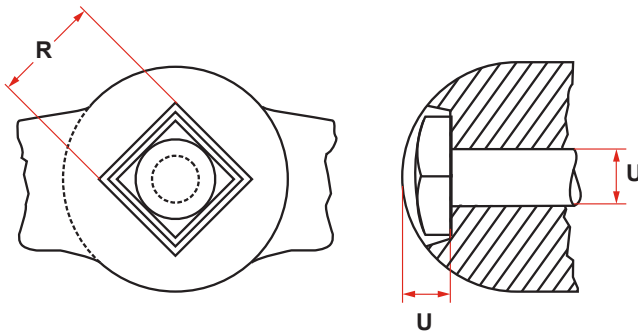


DOCK FITTINGS

AMC-200 SERIES 2-BOLT CLEATS



DIMENSIONS (INCHES)																		
	A	B	C	D	E	F	G	H	J	K	L	M	N	P	Q	R	T	U
AMC-216	16	9-1/2	3-5/8	4-1/8	8	1-1/2	2	5-1/4	1-3/4	7/8	5/8	3/4	2-3/4	1/2	7/16	1-3/8	2-1/2	3/4
AMC-220	20	11	4-1/2	5-3/8	10	2	2-1/2	6-5/8	2-1/4	1-1/8	3/4	7/8	3-3/8	3/4	9/16	1-9/16	3-1/4	7/8
AMC-224	24	13-1/2	5-3/8	6-3/8	12	2-1/2	3	8	2-3/4	1-3/8	7/8	1	4	1	11/16	1-3/4	4	1
AMC-227	27	15	6	7-3/8	13-1/2	3	3-3/8	9	3-1/8	1-9/16	1	1-1/8	4-1/2	1-1/4	13/16	1-15/16	4-1/2	1-1/8
AMC-230	30	17	6-3/4	8	15	3-1/2	3-3/4	10	3-1/2	1-3/4	1-1/8	1-1/4	5	1-1/2	7/8	2-1/8	5	1-1/4
AMC-233	33	19	7-3/8	9	16-1/2	4	4-7/8	11	3-3/4	1-7/8	1-1/4	1-3/8	5-1/2	1-3/4	15/16	2-3/8	5-1/2	1-3/8
AMC-236	36	21	8	9-7/8	18	4-1/2	4-1/2	12	4	2	1-3/8	1-1/2	6	2	1	2-5/8	6	1-1/2
AMC-242	42	24	9-3/8	11-5/8	21	5	5-1/4	14	4-3/4	2-3/8	1-1/2	1-3/4	7	2-1/4	1-3/16	2-7/8	7	1-3/4
AMC-248	48	27	10-3/4	13-1/8	24	5-1/2	6	16	5-1/2	2-3/4	1-5/8	2	8	2-1/2	1-3/8	3-3/8	8	2
AMC-254	54	30	12	14-3/4	27	6	6-3/4	18	6	3	1-3/4	2-1/4	9	2-3/4	1-1/2	3-3/4	9	2-1/4



CLEAT AMC-216-254



P. O. Box 596 (90748) • 910 Mahar Ave., Wilmington, CA 90744
 (800) 322-3131 • (310) 522-9698 • Fax: (310) 522-1043
 E-Mail: sales@watermansupply.com
www.watermansupply.com
 TradeNet ID 61935