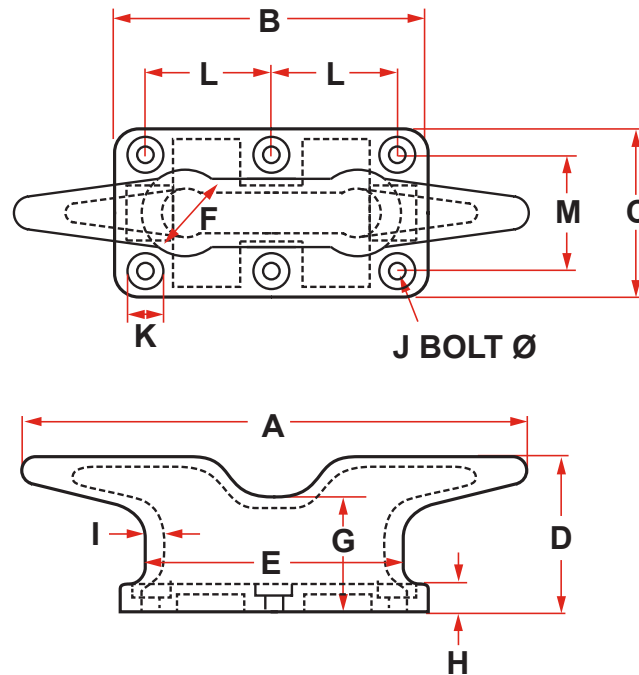




## DOCK FITTINGS

### AMCH 6-BOLT CLEATS



	DIMENSIONS (INCHES)												
	A	B	C	D	E	F	G	H	I	J	K	L	M
AMCH-16	16	10-1/2	7-1/2	5	8	2-3/4	3-3/4	1-1/2	7/8	3/4	1-3/4	3-3/4	4-1/2
AMCH-24	24	15-1/2	9-1/2	7-1/4	12	4	5-1/4	1-3/4	1-1/8	7/8	2	6	6
AMCH-30	30	19	11-1/4	8-7/8	15	5	6-3/8	2	1-1/4	1	2-1/4	7-1/2	7-1/4



P. O. Box 596 (90748) • 910 Mahar Ave., Wilmington, CA 90744

(800) 322-3131 • (310) 522-9698 • Fax: (310) 522-1043

E-Mail: [sales@watermansupply.com](mailto:sales@watermansupply.com)

[www.watermansupply.com](http://www.watermansupply.com)

TradeNet ID 61935