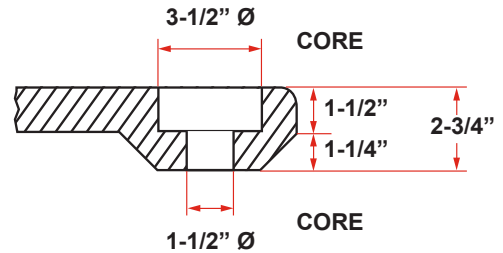
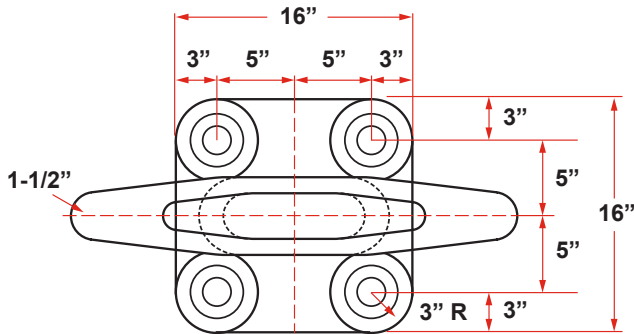
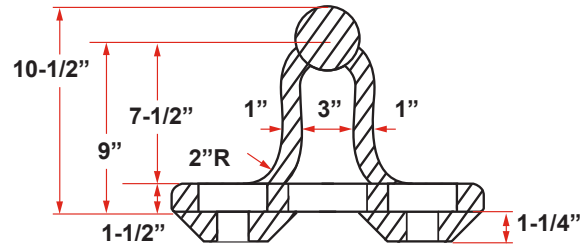
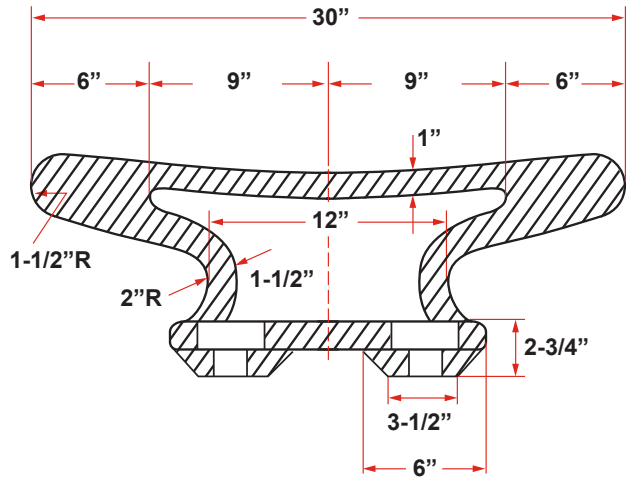




# DOCK FITTINGS



1-1/2" Ø CORE FOR  
1-1/4" Ø BOLT

## 10 TON CLEAT AMC-10A



P. O. Box 596 (90748) • 910 Mahar Ave., Wilmington, CA 90744  
 (800) 322-3131 • (310) 522-9698 • Fax: (310) 522-1043  
 E-Mail: [sales@watermansupply.com](mailto:sales@watermansupply.com)  
[www.watermansupply.com](http://www.watermansupply.com)  
 TradeNet ID 61935