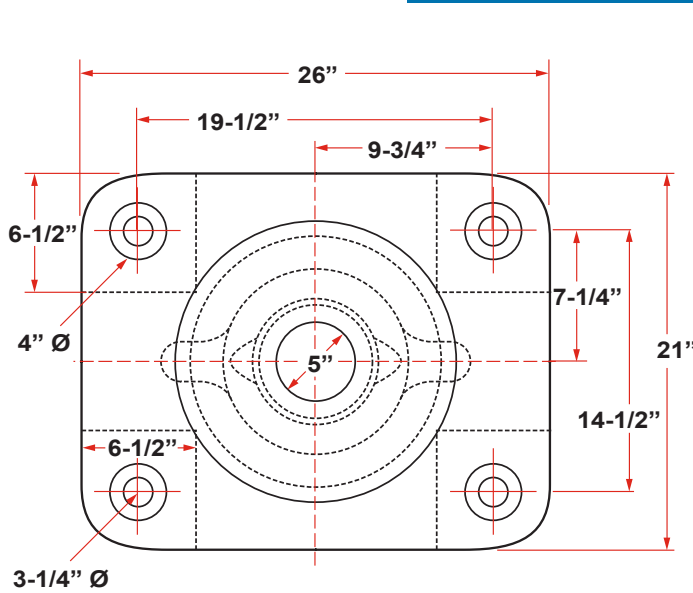
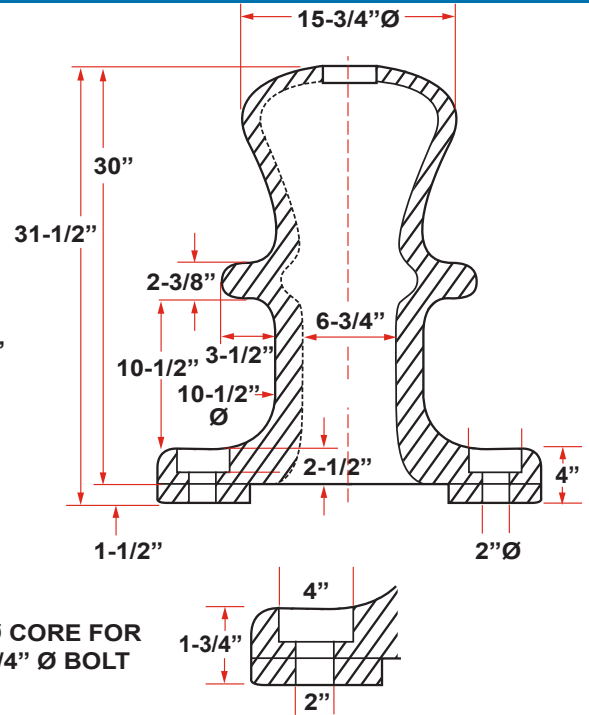




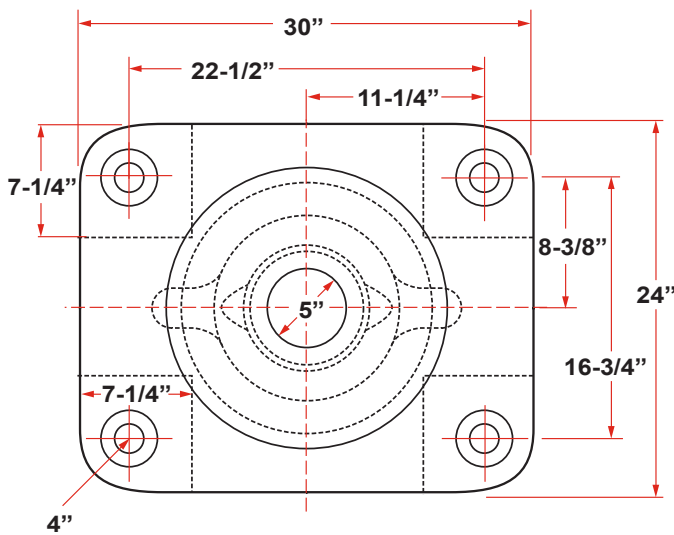
DOCK FITTINGS



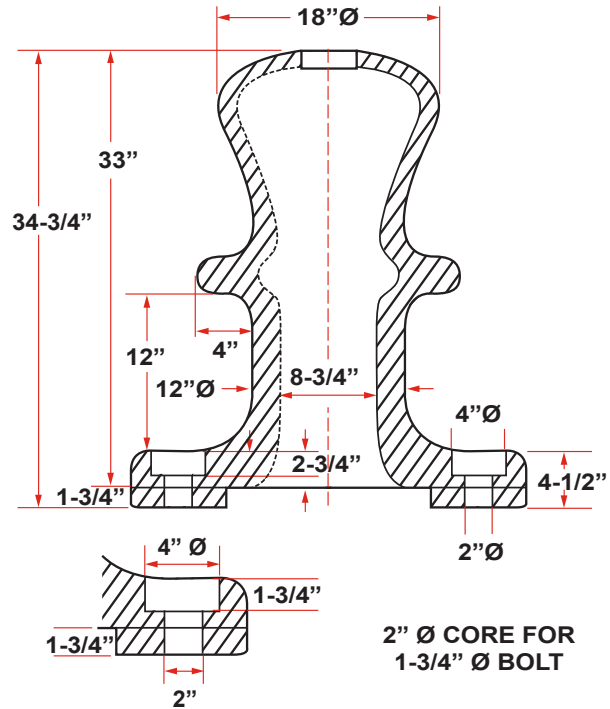
**55 TON BOLLARD
AMB-55**



2" Ø CORE FOR
1-3/4" Ø BOLT



**65 TON BOLLARD
AMB-65**



2" Ø CORE FOR
1-3/4" Ø BOLT



P. O. Box 596 (90748) • 910 Mahar Ave., Wilmington, CA 90744
 (800) 322-3131 • (310) 522-9698 • Fax: (310) 522-1043
 E-Mail: sales@watermansupply.com
www.watermansupply.com
 TradeNet ID 61935