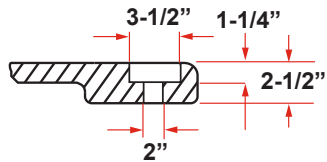
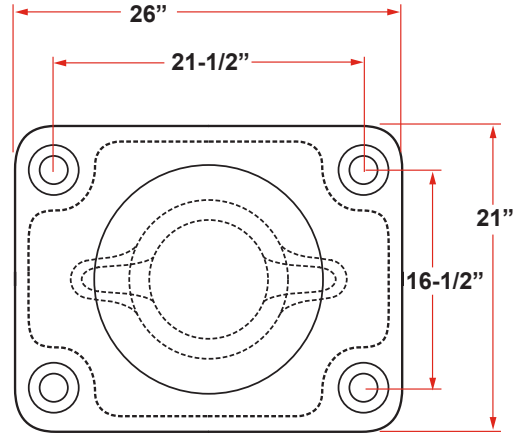
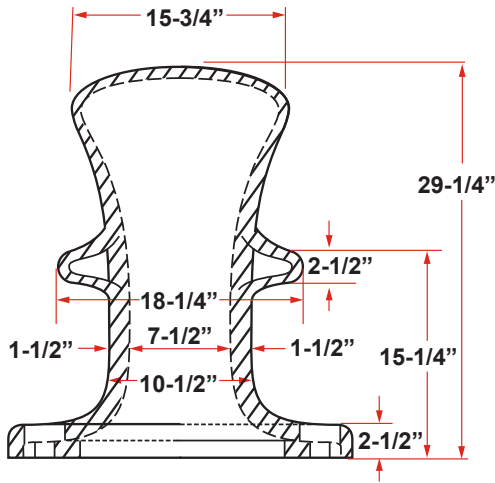


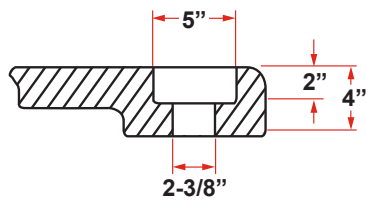
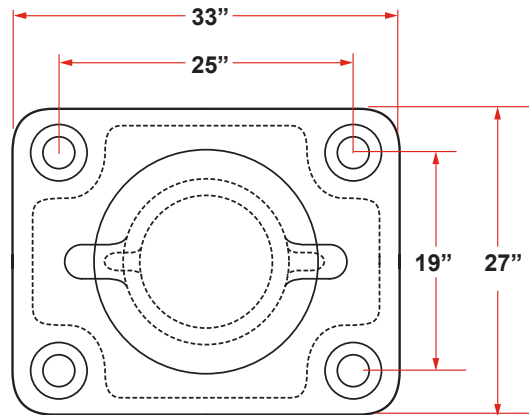
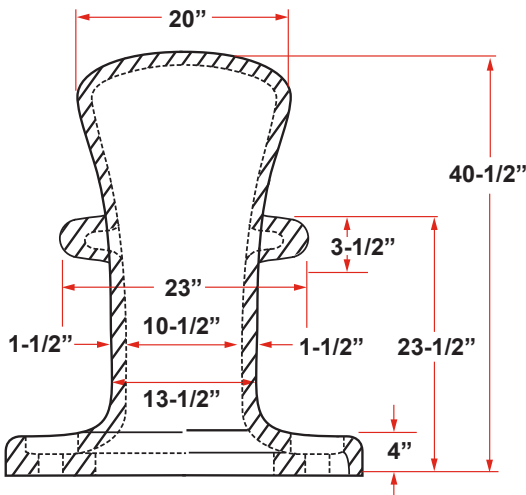


DOCK FITTINGS



2" Ø CORE FOR
1-3/4" Ø BOLT

**20 TON BOLLARD
AMB-20**



2-3/8" Ø CORE FOR
2-1/4" Ø BOLT

**25 TON BOLLARD
AMB-25**



P. O. Box 596 (90748) • 910 Mahar Ave., Wilmington, CA 90744
 (800) 322-3131 • (310) 522-9698 • Fax: (310) 522-1043
 E-Mail: sales@watermansupply.com
 www.watermansupply.com
 TradeNet ID 61935