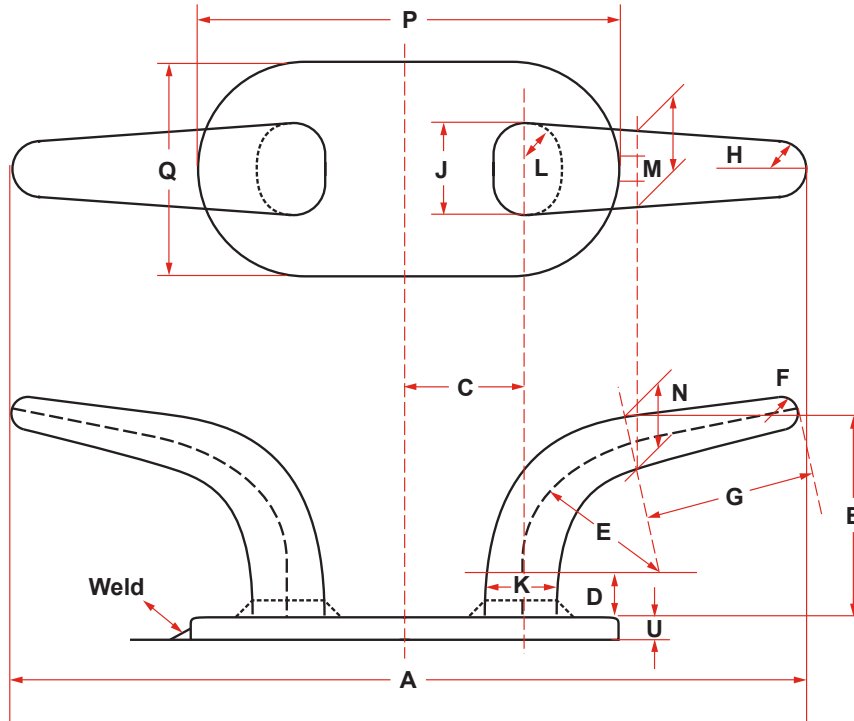




**DECK FITTINGS**

**HORN CLEATS - STEEL**



DIMENSIONS (INCHES)															
A	B	C	D	E	F	G	H	J	K	L	M	N	P	Q	U
8	2	1	1/2	1-1/4	5/32	1-15/16	5/32	11/16	11/16	-	9/16	9/16	4	2	1/4
10	2-5/8	1-1/2	1/2	1-3/4	3/16	2-5/32	3/8	1-1/4	7/8	7/16	1-1/6	11/16	5-3/8	2-3/4	5/16
12	3-1/4	1-3/4	3/4	2	3/16	2-23/32	7/16	1-5/8	1-1/8	9/16	1-3/8	7/8	6-3/8	3-1/4	3/8
16	4	2-5/8	1	2-1/2	1/4	3-7/8	9/16	2	1-1/4	5/8	1-3/4	1	8-1/4	4	1/2
18	4-1/2	2-5/8	1-1/8	2-3/8	5/16	4-11/16	5/8	2-1/2	1-1/2	3/4	2-1/8	1-1/8	9-1/8	5	5/8
20	5	2-3/4	1-1/4	2-5/8	5/16	5-3/8	3/4	2-3/4	1-5/8	13/16	2-3/8	1-1/4	9-7/8	5-1/2	5/8



P. O. Box 596 (90748) • 910 Mahar Ave., Wilmington, CA 90744  
 (800) 322-3131 • (310) 522-9698 • Fax: (310) 522-1043  
 E-Mail: sales@watermansupply.com  
 www.watermansupply.com  
 TradeNet ID 61935