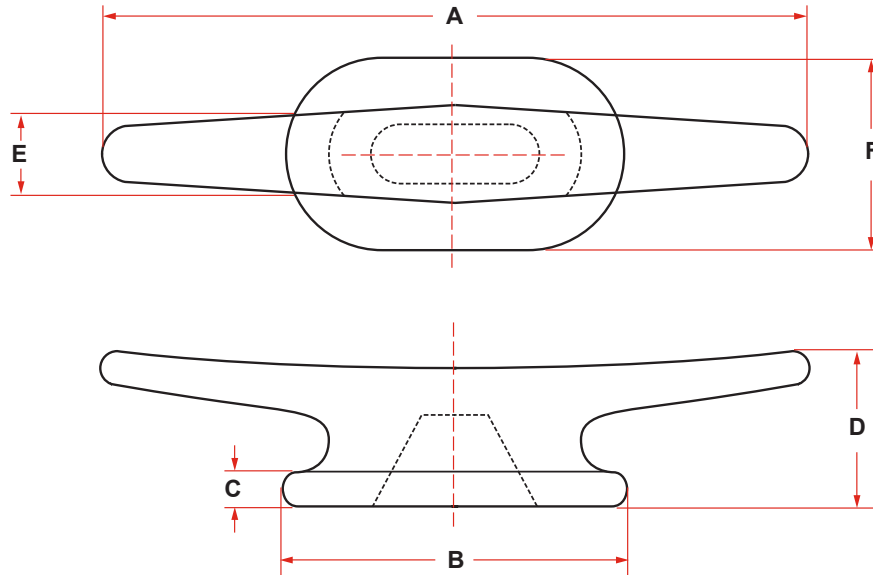


WELD ON STEEL CLEATS



ASTM A27 GRADE 70-36 CAST STEEL

CLEAT SIZE (INCHES)	DIMENSIONS (MM)						WEIGHT (LBS)
	A	B	C	D	E	F	
8	8.00	4.40	0.35	1.70	1.25	2.14	3.00
10	10.00	5.13	0.40	2.24	1.42	2.53	4.30
12	12.00	5.55	0.55	2.75	1.70	3.50	8.00
14	14.00	7.00	0.53	3.20	2.13	4.00	13.00
16	16.00	8.25	0.75	3.50	2.13	4.50	17.00
18	18.00	9.25	0.85	4.26	2.63	4.75	24.00