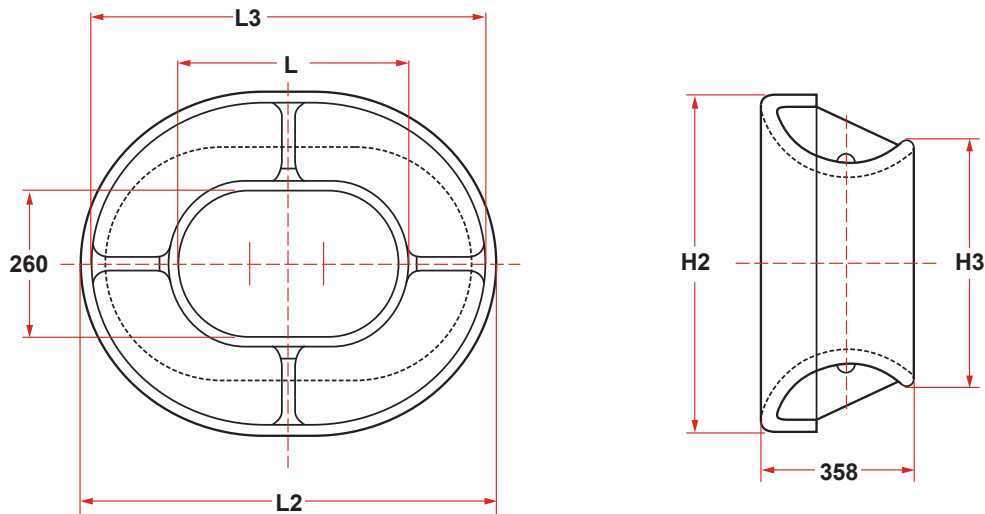




DECK FITTINGS

BULLWARK MOUNTED PANAMA CHOCK

(JIS F-2017 TYPE BC)



| NOMINAL SIZE | DIMENSIONS (MM) | | | | | MASS (KG) |
|--------------|-----------------|-----|-----|-----|-----|-----------|
| | L | L2 | L3 | H2 | H3 | |
| 310 | 310 | 734 | 652 | 684 | 462 | 276 |
| 360 | 360 | 788 | 701 | 688 | 464 | 305 |
| 400 | 400 | 832 | 750 | 692 | 470 | 344 |
| 450 | 450 | 888 | 802 | 696 | 474 | 385 |
| 500 | 500 | 940 | 854 | 700 | 478 | 422 |



P. O. Box 596 (90748) • 910 Mahar Ave., Wilmington, CA 90744

(800) 322-3131 • (310) 522-9698 • Fax: (310) 522-1043

E-Mail: sales@watermansupply.com

www.watermansupply.com

TradeNet ID 61935