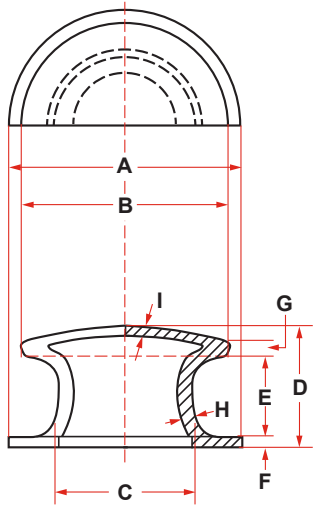


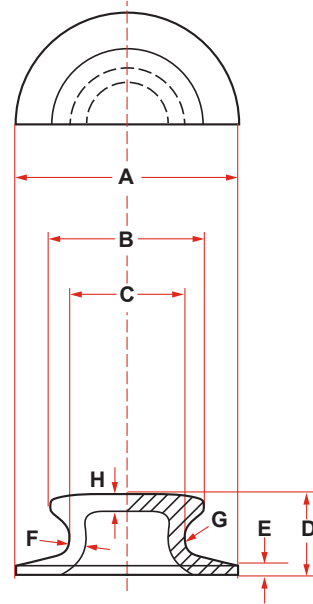


# DECK FITTINGS

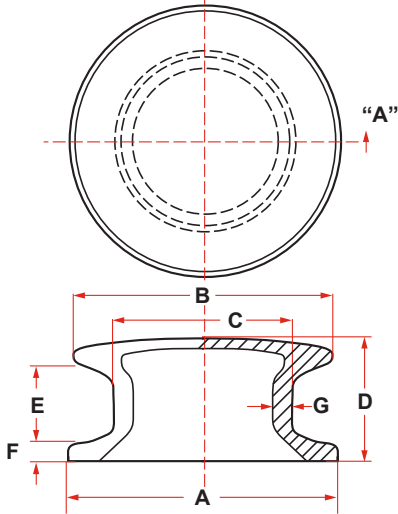
## CAST STEEL BUTTON CHOCKS



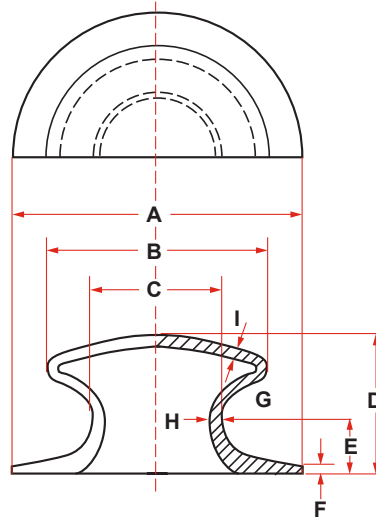
DIMENSIONS (INCHES)										WEIGHT
SIZE	A	B	C	D	E	F	G	H	I	(LBS)
10	17	15	10	8-1/2	5-3/4	5/8	1-1/8	1	1/2	138



DIMENSIONS (INCHES)										WEIGHT
SIZE	A	B	C	D	E	F	G	H	(LBS)	
6	12	8-1/2	6	4-1/8	1/2	3/4	1-1/2	3/4	38	



DIMENSIONS (INCHES)									WEIGHT
SIZE	A	B	C	D	E	F	G	(LBS)	
8	13	12-1/2	8-5/8	5-1/4	3-11/16	3/4	7/8	75	



DIMENSIONS (INCHES)										WEIGHT
SIZE	A	B	C	D	E	F	G	H	I	(LBS)
9	20	15-1/2	9	9-1/2	3-1/2	5/8	2-1/2	3/4	1/2	158



P. O. Box 596 (90748) • 910 Mahar Ave., Wilmington, CA 90744  
 (800) 322-3131 • (310) 522-9698 • Fax: (310) 522-1043  
 E-Mail: [sales@watermansupply.com](mailto:sales@watermansupply.com)  
[www.watermansupply.com](http://www.watermansupply.com)  
 TradeNet ID 61935