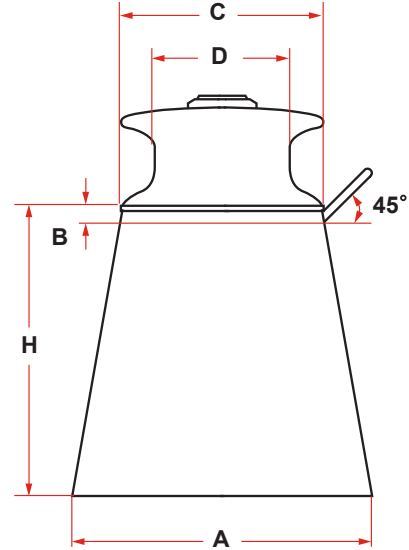




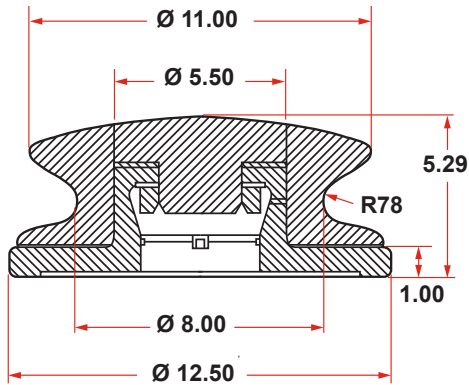
# DECK FITTINGS

## PEDESTAL ROLLER FAIRLEADS - TYPE EU

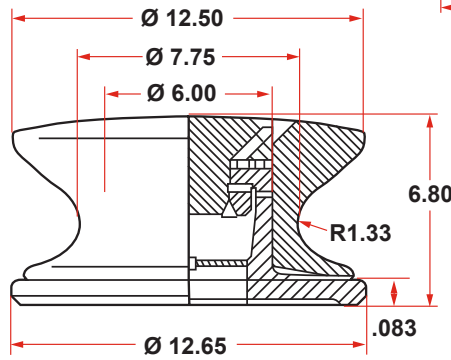
HEIGHT : H	800	1000	1200	1400			WALL THICKNESS
ROLLER DIA : D	A	A	A	A	B	C	
300	715	800	900	1000	25	440	12
350	800	825	950	1120	30	500	12
400	1000	1020	1020	1150	35	560	16
450	1020	1022	1120	1180	35	630	16
500	1020	1120	1180	1250	40	710	16
560	1120	1180	1250	1380	40	800	16



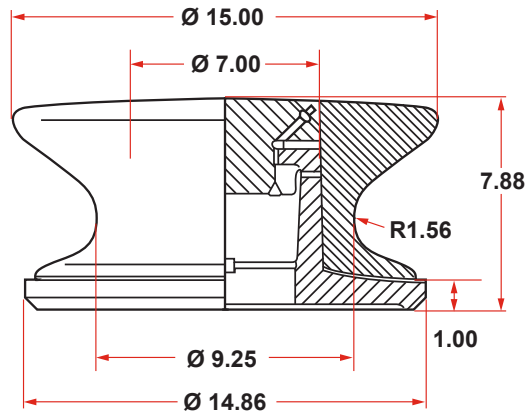
## OTHER MODELS ROLLER BUTTONS



**MODEL 50**



**MODEL 75**



**MODEL 100**

## ROLLER BUTTONS FREE ROLLING

These are the finest high-loaded carrying, free-rolling roller buttons that have ever been designed, and are manufactured in sizes to suit the needs of boats, seagoing tugs and ships. Precision machined parts have working parts coated with an extremely hard coating - 70 Rockwell C-Scale - which is corrosion resistant. The buttons will not freeze up as most do, because they are closed at the top. The air pocket formed on the inside, makes it practically impossible for water to enter the working parts. Before shipment, the roller buttons are completely lubricated and should need only occasional attention after installation and use.



P. O. Box 596 (90748) • 910 Mahar Ave., Wilmington, CA 90744  
 (800) 322-3131 • (310) 522-9698 • Fax: (310) 522-1043  
 E-Mail: [sales@watermansupply.com](mailto:sales@watermansupply.com)  
[www.watermansupply.com](http://www.watermansupply.com)  
 TradeNet ID 61935