

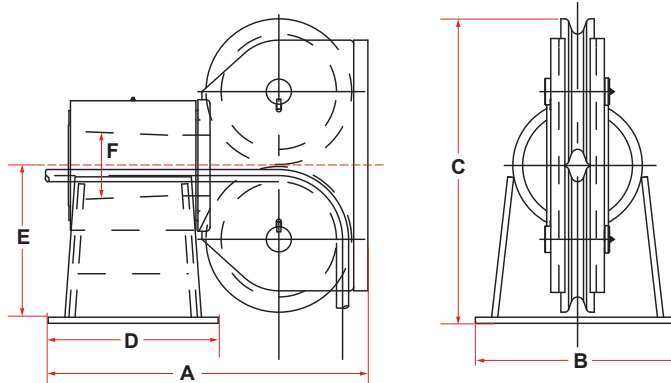


DECK FITTINGS

DECK-MOUNTED DOUBLE SHEAVE FAIRLEADERS



2600 SERIES



MODEL NO.	MAX WIRE SIZE	WIRE BREAKING STRENGTH (LBS)	SHEAVE THREAD DIA.	DIMENSIONS (INCHES)						WEIGHT (LBS)
				A	B	C	D	E	F	
MD-2610	3/4	58800	8-1/4	24-11/16	16	22	14-3/4	11	4-1/2	280
MD-2612	1	103400	9-3/4	29-13/16	19-1/4	25	17-3/4	13-1/2	5-5/8	520
MD-2614	1-1/4	159800	11-1/4	31-9/16	20	29	18-1/2	15-1/2	6-5/16	700
MD-2618	1-1/2	228000	14-1/4	39-1/8	25-1/4	37-5/8	21	19-1/2	8-1/2	1500
MD-2622	1-3/4	266000	18-1/2	46-1/8	28-1/2	48	22	23-1/2	9-1/2	2200
MD-2624	2	344000	20	51-1/8	30	49-5/8	27	25-1/2	12	2800
MD-2630	2-1/4	494000	24-7/8	57-7/8	40-1/4	61-5/8	27-1/2	31-1/2	13	5020
MD-2636	2-1/2	524000	30	64	40	72-5/8	27-1/2	36-1/4	14-1/2	6270
MD-2652	3	818000	44	104	52-3/8	105-5/8	44	34-1/2	26-1/2	17200
MD-2665	3	818000	55-1/2	117	52-3/8	130-5/8	44	34-1/2	26-1/2	19650

STANDARD FEATURES

- Designed for Breaking Strength of EIPS-IWRC Wire Rope with 90° Wrap on the Sheave and 180° Rotation of Swivelhead
- Cast Steel Sheaves with Hardened Rope Grooves for Longer Life
- Sealed Grease Lubricated Tapered Roller Bearings in Sheaves and Swivelhead
- Weld Down Mounting Base
- Removable Guide Roller
- Epoxy Primer Coating

OPTIONAL FEATURES

- Customized Design to Suit Your Application
- Tail Sheaves / Tail Rollers
- Stainless Steel or Nylon Sheaves
- Bolt Down Mounting Base
- Load Monitoring System
- Three Coat Marine Paint System
- Third Party Certification



P. O. Box 596 (90748) • 910 Mahar Ave., Wilmington, CA 90744

(800) 322-3131 • (310) 522-9698 • Fax: (310) 522-1043

E-Mail: sales@watermansupply.comwww.watermansupply.com

TradeNet ID 61935