

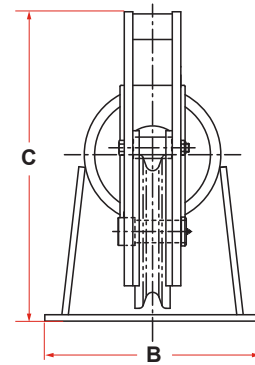
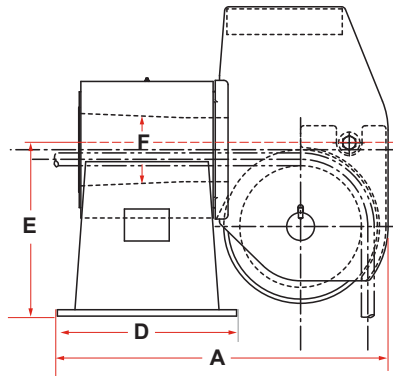


DECK FITTINGS

DECK-MOUNTED BALANCED HEAD FAIRLEADERS



600 SERIES



MODEL NO.	MAX WIRE SIZE	WIRE BREAKING STRENGTH (LBS)	SHEAVE THREAD DIA.	DIMENSIONS (INCHES)						WEIGHT (LBS)
				A	B	C	D	E	F	
MD-610	3/4	58800	8-1/4	23-11/16	16	20-1/8	14-3/4	11	4-1/2	270
MD-612	1	103400	9-3/4	28-3/16	19-1/4	24-5/8	17-3/4	13-1/2	5-5/8	495
MD-614	1-1/4	159800	11-1/4	30-9/16	20	28-1/8	18-1/2	15-1/2	6-5/16	670
MD-618	1-1/2	228000	14-1/4	38-1/8	25-1/4	36-1/4	21	19-1/2	8-1/2	1450
MD-622	1-3/4	266000	18-1/2	45-1/8	28-1/2	45-1/2	22	23-1/2	9-1/2	2100
MD-624	2	344000	20	50-1/8	30	44-13/16	27	25-1/2	12	2650
MD-630	2-1/4	494000	24-7/8	56-7/8	40-1/4	60-3/4	27-1/2	31-1/2	13	4800
MD-636	2-1/2	524000	30	63	40	70-1/4	27-1/2	36-1/4	14-1/2	6000
MD-652	3	818000	44	103-1/2	52-3/8	104	44	34-1/2	26-1/2	16500
MD-665	3	818000	55-1/2	115-5/8	52-3/8	117-1/2	44	34-1/2	26-1/2	18800

STANDARD FEATURES

- Designed for Breaking Strength of EIPS-IWRC Wire Rope with 90° Wrap on the Sheave and 180° Rotation of Swivelhead
- Cast Steel Sheave with Hardened Rope Groove for Longer Life
- Sealed Grease Lubricated Tapered Roller Bearings in Sheave and Swivelhead
- Weld Down Mounting Base
- Removable Guide Roller
- Epoxy Primer Coating

OPTIONAL FEATURES

- Customized Design to Suit Your Application
- Tail Sheaves / Tail Rollers
- Stainless Steel or Nylon Sheaves
- Bolt Down Mounting Base
- Load Monitoring System
- Three Coat Marine Paint System
- Third Party Certification



P. O. Box 596 (90748) • 910 Mahar Ave., Wilmington, CA 90744

(800) 322-3131 • (310) 522-9698 • Fax: (310) 522-1043

E-Mail: sales@watermansupply.comwww.watermansupply.com

TradeNet ID 61935