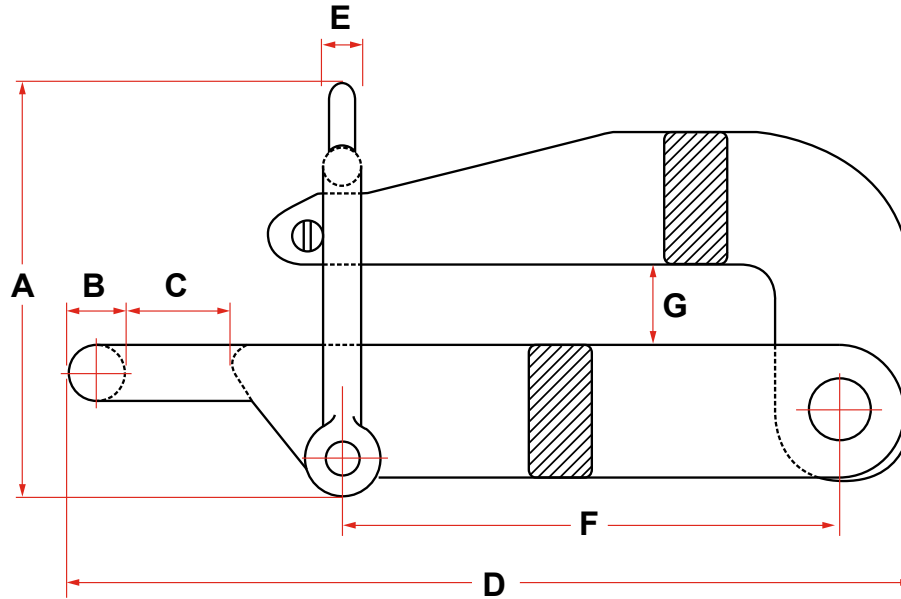




CHAIN & ANCHOR FITTINGS

PELICAN HOOK CHAIN STOPPER WITH ABS CERTIFICATION



CHAIN SIZE		A (MM)	B (MM)	C (MM)	D (MM)	E (MM)	F (MM)	G (MM)	LOADS		WEIGHT
MM	INCHES								PROOF TEST KN	BREAK TEST KN	LBS
19	3/4	176	19	32	266	16	137	25	291.3	392.3	13
22	7/8	193	22	35	337	16	178	31	392.7	529.8	21
25-32	1 - 1-1/4	219	29	41	446	19	260	39	730.6	985.6	41
32-38	1-1/4 - 1-1/2	270	38	48	490	22	267	44	941.6	1,271.1	50
35-41	1-3/8 - 1-5/8	270	38	48	490	22	267	51	941.6	1,271.1	59
41-51	1-5/8 - 2	313	38	54	565	25	305	62	1,122	1,514.6	95
54-60	2-1/8 - 2-3/8	375	41	57	680	32	394	65	1,122	1,514.6	172
64-70	2-1/2 - 2-3/4	410	48	70	780	35	457	79	1,567.1	2,119.1	216
76-83	3 - 3-1/4	454	51	76	860	38	502	95	1,816.5	2,715.9	280
86-89	3-3/8 - 3-1/2	495	64	86	927	41	514	98	2,190.5	3,312.5	357
89-95	3-1/2 - 3-3/4	568	73	108	997	44	533	114	3,137	4,746	440
121	4-3/4	568	73	108	1216	44	753	137	3,137	4,746	683



P. O. Box 596 (90748) • 910 Mahar Ave., Wilmington, CA 90744

(800) 322-3131 • (310) 522-9698 • Fax: (310) 522-1043

E-Mail: sales@watermansupply.com

www.watermansupply.com

TradeNet ID 61935