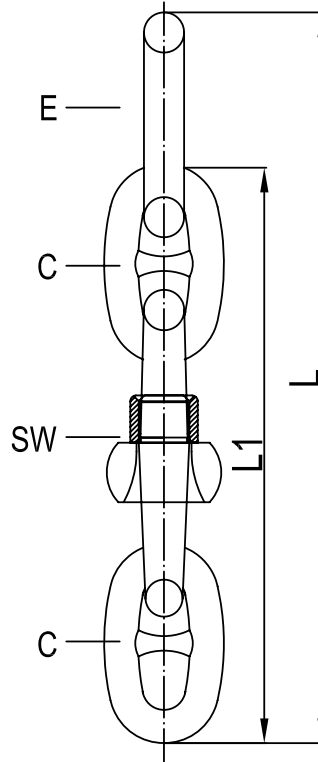
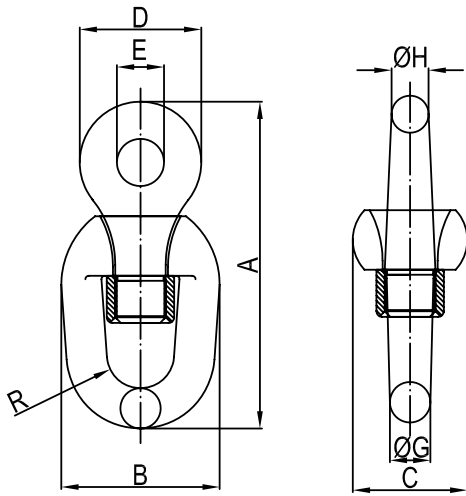




CHAIN & ANCHOR FITTINGS

SWIVEL ASSEMBLY WITH OPEN LINK



E+C+SW+C		FIT TO CHAIN		A	B	C	D	E	R	G	H	L	L1	WEIGHT (E+C+SW+C)		PROOF TEST	BREAK TEST
MM	INCHES	MM	INCHES	MM	MM	MM	MM	MM	MM	MM	MM	MM	MM	KG	LBS	LBF	LBF
13*	1/2	13	1/2	123	60	43	47	18	13	15	14	-	-	-	-	15,300	21,400
16*	5/8	16	5/8	154	75	54	58	22	16	19	17	-	-	-	-	23,700	33,200
17.5*	11/16	17.5	11/16	169	82	59	63	24	17.5	21	19	-	-	-	-	28,660	40,350
19	3/4	19	3/4	185	90	65	68	27	19	23	21	436	350	4.5	10	47,600	68,000
22	7/8	22	7/8	216	104	76	79	31	22	27	24	509	409	6.4	14	64,400	91,800
28	1 1/8	24-28	15/16 - 1 1/8	272	132	95	101	39	28	34	31	614	487	14.6	32.2	105,000	150,000
34	1 3/8	30-35	1 3/16 - 1 3/8	330	160	116	122	48	34	41	37	746	592	25.2	55.6	142,000	203,000
42	1 5/8	36-42	1 7/16 - 1 5/8	407	197	143	151	59	42	50	46	922	731	48.1	106	214,000	306,000
48	1 7/8	43-48	1 11/16 - 1 7/8	466	226	163	173	67	48	58	53	1054	835	69.7	153.7	281,000	402,000
58	2 1/4	50-58	1 15/16 - 2 1/4	563	273	197	209	81	58	70	64	1273	1009	123.8	273.2	396,000	570,000
67	2 5/8	59-67	2 5/16 - 2 5/8	660	320	231	245	95	68	82	75	1493	1183	196.7	434	554,000	792,000
73	2 7/8	68-73	2 11/16 - 2 7/8	708	343	218	262	102	73	88	80	1602	1270	245	540.7	628,000	897,000
79	3 1/8	75-79	2 15/16 - 3 1/8	786	381	275	291	113	81	97	89	1749	1389	336.7	743	732,000	1,046,000
86	3 3/8	81-86	3 3/16 - 3 3/8	844	409	296	314	122	87	104	96	1895	1504	417	920	843,000	1,204,000
92	3 5/8	87-92	3 7/16 - 3 5/8	892	432	313	331	129	92	110	101	2019	1601	494.4	1090	958,000	1,369,000
98	3 7/8	94-98	3 11/16 - 3 7/8	970	470	340	360	140	100	120	110	2166	1720	615	1356	1,080,000	1,543,000
102	4	100-102	3 15/16 - 4	989	479	347	367	143	102	122	112	2239	1775	669	1476	1,143,000	1,632,000

* Grade 2. Number of links may vary. Call for details.



P. O. Box 596 (90748) • 910 Mahar Ave., Wilmington, CA 90744
 (800) 322-3131 • (310) 522-9698 • Fax: (310) 522-1043
 E-Mail: sales@watermansupply.com
 www.watermansupply.com
 TradeNet ID 61935