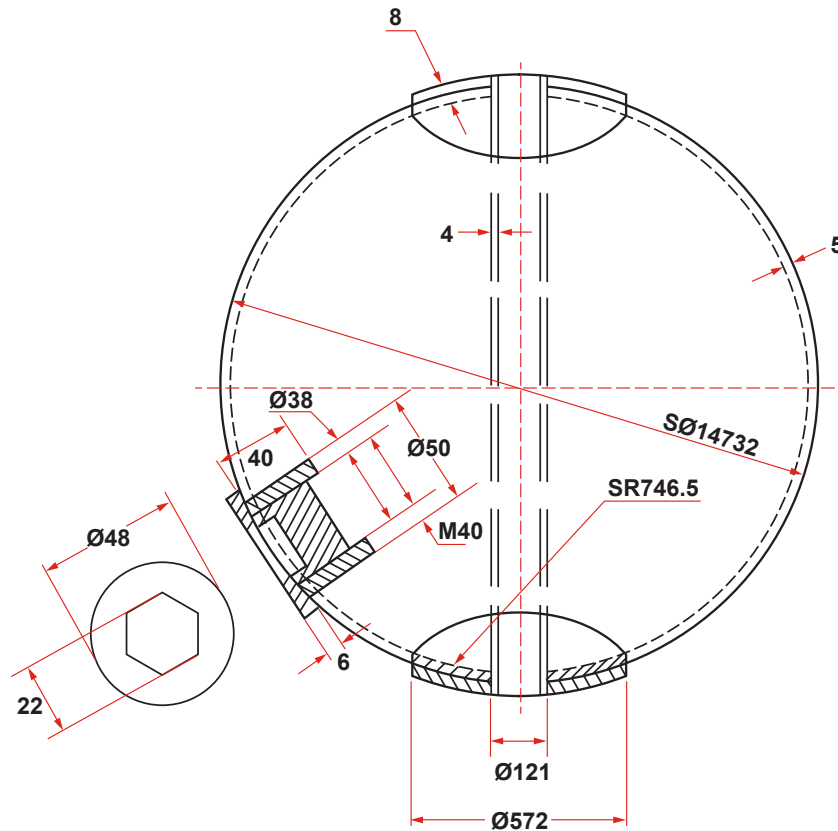


## 58" SPHERICAL BUOY WITH PIPE THROUGH



BUOYANCY: 3007  
 LBS.  
 WEIGHT: 694 LBS.  
 CAPACITY: 420 GAL