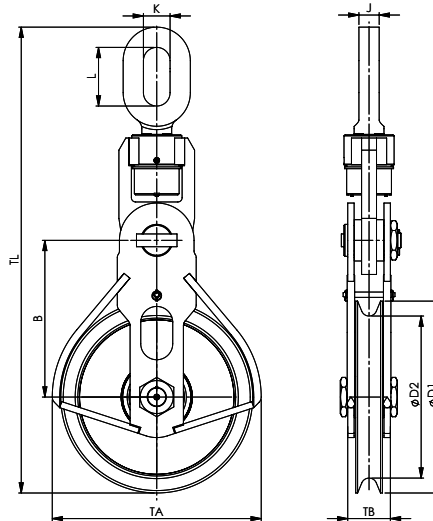




BLOCKS

HIGH CAPACITY LIGHT WEIGHT BLOCKS

LIGHT WEIGHT TILT-UP BLOCKS



MODEL NO.	WLL (UST)	FOR WIRE ØD INCH	DIMENSIONS (INCH)									WEIGHT (LBS)
			ØD1	ØD2	B	J	K	L	TA	TB	TL	
HCLW 240.28.1.25.O	27.5	1 - 11/8	11.8	9.4	10.2	2.0	3.0	5.9	14.0	4.0	37.2	175
HCLW 355.32.1.27.O	30	1 1/8 - 1 1/4	16.5	14.0	14.8	2.4	3.1	6.9	18.7	4.4	47.0	290
HCLW 355.36.1.32.O	35	1 1/4 - 1 3/8	16.5	14.0	14.8	2.4	3.1	6.9	18.7	4.8	47.0	290
HCLW 430.32.1.27.O	30	1 1/8 - 1 1/4	19.5	16.9	16.3	2.4	3.1	6.9	21.7	4.4	50.0	275
HCLW 430.32.1.32.O	35	1 1/8 - 1 1/4	19.5	16.9	16.3	2.4	3.1	6.9	21.7	4.4	49.0	310
HCLW 430.38.1.32.O	35	1 1/4 - 1 1/2	19.5	16.9	16.3	2.4	3.1	6.9	21.7	4.8	50.0	290
HCLW 430.38.1.40.O	45	1 1/4 - 1 1/2	19.5	16.9	16.3	2.6	3.5	7.9	21.7	4.8	51.6	340
HCLW 520.38.1.55.O	60	1 1/4 - 1 1/2	23.4	16.9	19.1	2.6	3.5	7.5	25.6	5.2	60.0	480
HCLW 520.44.1.55.O	60	1 1/2 - 1 3/4	23.4	20.5	19.1	2.8	3.9	8.7	25.6	5.2	60.5	480
HCLW 520.52.1.55.O	60	1 3/4 - 2	23.4	20.5	19.1	2.8	3.9	8.7	25.6	5.2	60.5	480
HCLW 630.58.1.81.O	90	2 - 2 1/4	28.0	24.8	22.6	3.1	4.3	9.8	30.6	6.0	74.1	915
HCLW 630.64.1.81.O	90	2 1/4 - 2 1/2	28.0	24.8	22.6	3.1	4.3	9.8	30.6	6.0	74.1	915
HCLW 760.70.1.100.O	110	2 1/2 - 2 3/4	35.4	29.9	28.9	3.7	4.9	10.8	38.6	7.9	86.2	1300
HCLW 760.76.1.100.O	110	2 3/4 - 3	35.4	29.9	28.9	3.7	4.9	10.8	38.6	7.9	86.2	1300
HCLW 760.76.1.125.O	137.5	2 3/4 - 3	35.4	29.9	28.9	3.9	4.9	10.8	38.6	7.9	86.2	1430
HCLW 760.76.1.137.5.O	150	2 3/4 - 3	35.4	29.9	28.9	3.9	4.9	10.8	38.6	7.9	86.2	1650

- The dimensions in this table are indicative only. A drawing will always be submitted prior to production and will be the leading document when discussing dimensions.
- Blocks shown here are standard models; inquiries for custom versions are welcome.
- Refer to wire rope manufacturers D/d ratio guideline.

Minimum Ultimate Strength = 4 x WLL.



P. O. Box 596 (90748) • 910 Mahar Ave., Wilmington, CA 90744

(800) 322-3131 • (310) 522-9698 • Fax: (310) 522-1043

E-Mail: sales@watermansupply.com

www.watermansupply.com

TradeNet ID 61935