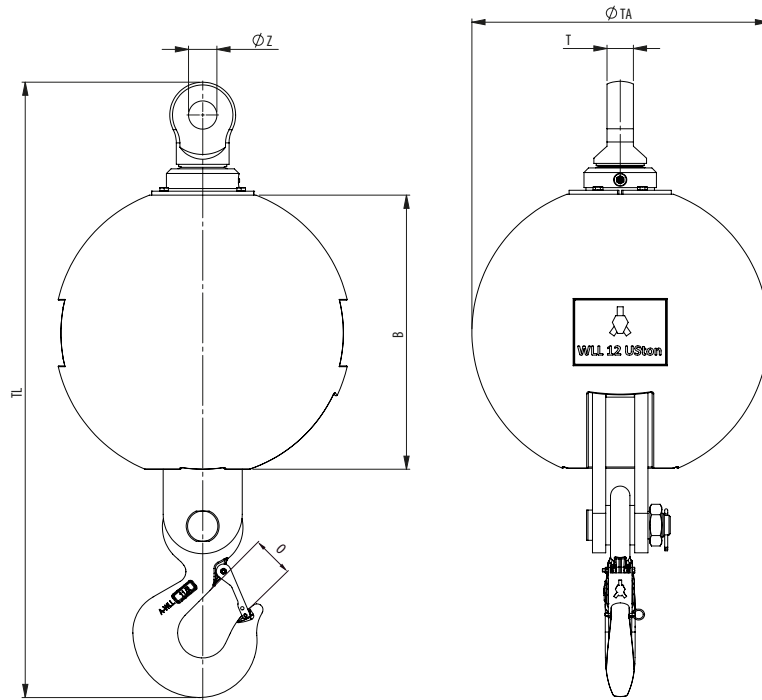




BLOCKS

ROUND OVERHAUL BALL



MODEL NO.	WLL (UST)	BECKET	DIMENSIONS (INCH)						WEIGHT (LBS)
			B	O	TA	TL	T	Z	
OHB-B 4,5.45-1	5	1	7 13/16	1 3/8	9 1/16	23 1/4	7/8	1 1/16	100
OHB-B 4,5.100-2	5	2	11 3/8	1 3/8	12 5/16	25 9/16	1 1/8	1 5/16	220
OHB-B 4,5.140-2	5	2	12 9/16	1 3/8	13 9/16	26 3/4	1 1/8	1 5/16	310
OHB-B 7.80-2	8	2	10	1 11/16	11	26 1/4	1 1/8	1 5/16	175
OHB-B 7.110-2	8	2	11 3/8	1 11/16	12 5/16	27 7/16	1 1/8	1 5/16	242
OHB-B 7.145-3	8	3	12 9/16	1 11/16	13 9/16	28 15/16	1 3/8	1 7/16	320
OHB-B 11.180-3	12	3	13 1/8	2 1/16	14 9/16	33 1/16	1 3/8	1 7/16	396
OHB-B 11.265-4	12	4	15 3/8	2 1/16	16 3/4	35 7/8	1 9/16	1 11/16	583
OHB-B 11.320-4	12	4	16 7/16	2 1/16	17 11/16	36 7/8	1 9/16	1 11/16	705
OHB-B 11.530-4	12	4	20	2 1/16	21 1/16	40 7/16	1 9/16	1 11/16	1165
OHB-B 18.195-5	20	5	13 1/8	3 1/16	14 9/16	38 5/16	1 3/4	2 1/16	429
OHB-B 18.330-6	20	6	16 7/16	3 1/16	17 11/16	42	1 15/16	2 5/16	726
OHB-B 18.545-6	20	6	20	3 1/16	21 1/16	45 9/16	1 15/16	2 5/16	1200

- The dimensions in this table are indicative only. A drawing will always be submitted prior to production and will be the leading document when discussing dimensions.
- Blocks shown here are standard models; inquiries for custom versions are welcome.
- Refer to wire rope manufacturers D/d ratio guideline.

Minimum Ultimate Strength = 4 x WLL.



ROPEBLOCK



P. O. Box 596 (90748) • 910 Mahar Ave., Wilmington, CA 90744

(800) 322-3131 • (310) 522-9698 • Fax: (310) 522-1043

E-Mail: sales@watermansupply.com

www.watermansupply.com

TradeNet ID 61935