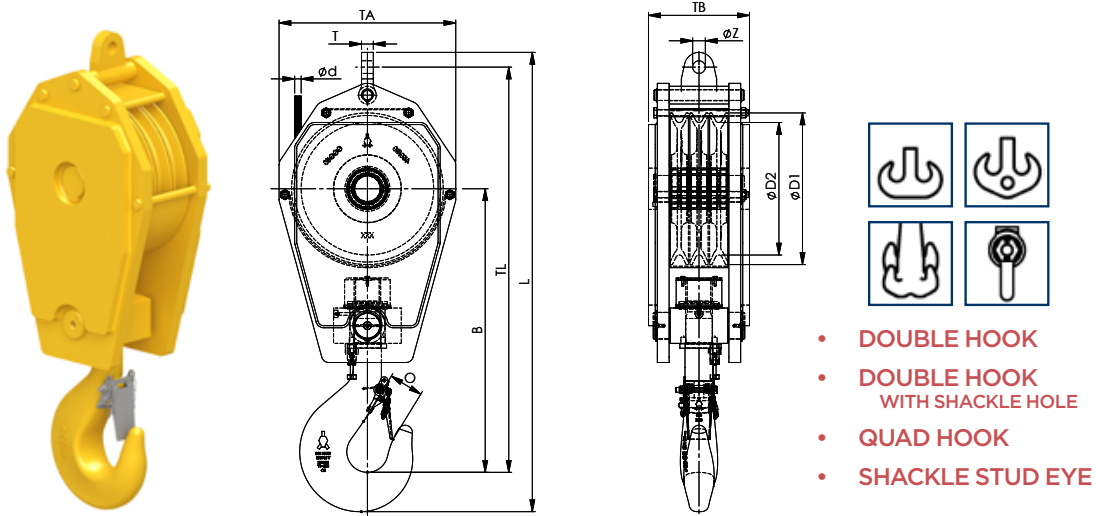




# BLOCKS

## STANDARD REEVE CRANE BLOCKS

3 SHEAVES



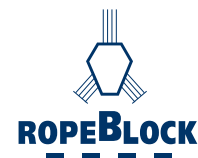
- DOUBLE HOOK
- DOUBLE HOOK WITH SHACKLE HOLE
- QUAD HOOK
- SHACKLE STUD EYE

MODEL NO.	WLL (UST)	FOR WIRE ØD INCH	HOOK SIZE	DIMENSIONS (INCH)										WEIGHT (LBS)
				ØD1	ØD2	B	O	TA	TB	TL	L	T	ØZ	
SRB 260.xx.3.25.E	27,5	7/16 - 5/8	8	11.8	10.2	25.9	3.1	15.7	10.2	37.5	42.8	TBD	TBD	465
SRB 285.xx.3.29.E	32	1/2 - 3/4	8	12.8	11.2	26.3	3.1	15.7	10.6	38.5	43.8	TBD	TBD	465
SRB 320.xx.3.29.E	32	9/16 - 3/4	8	14.4	12.6	28.1	3.1	17.7	9.4	41.3	46.6	TBD	TBD	495
SRB 355.xx.3.32.E	35	9/16 - 7/8	10	16.1	14.0	29.6	3.5	19.7	10.3	43.0	49.0	TBD	TBD	715
SRB 360.xx.3.40.E	44	5/8 - 7/8	12	16.5	14.2	33.0	3.9	19.7	14.3	46.4	52.8	TBD	TBD	1000
SRB 360.xx.3.55.E	60	5/8 - 7/8	12	16.5	14.2	33.0	3.9	19.7	14.3	46.4	52.9	TBD	TBD	1000
SRB 400.xx.3.40.E	44	5/8 - 1	12	18.1	15.7	34.0	3.9	22.4	13.9	49.0	55.6	TBD	TBD	1100
SRB 400.xx.3.50.E	55	5/8 - 1	16	18.1	15.7	34.0	4.4	22.4	13.9	49.0	56.1	TBD	TBD	1100
SRB 400.xx.3.50.E	55	5/8 - 1	16	18.1	15.7	34.0	4.4	22.4	14.7	49.0	56.1	TBD	TBD	1190
SRB 400.xx.3.55.EA	60	5/8 - 1	12	18.1	15.7	34.0	3.9	22.4	13.5	49.0	55.6	TBD	TBD	1200
SRB 450.xx.3.64.E	70	3/4 - 1 1/8	16	20.3	17.7	37.9	4.4	23.6	13.5	54.2	61.3	TBD	TBD	1495
SRB 450.xx.3.64.E	70	3/4 - 1 1/8	16	20.3	17.7	37.9	4.4	23.6	15.1	54.2	61.7	TBD	TBD	1695
SRB 450.xx.3.70.E	77	3/4 - 1 1/8	16	20.3	17.7	38.3	4.4	23.6	11.1	55.0	62.9	TBD	TBD	1650
SRB 528.xx.3.82.E	90	7/8 - 1 1/4	20	23.4	20.8	44.6	4.9	28.0	18.2	63.5	71.7	TBD	TBD	2500
SRB 528.xx.3.100.E	110	7/8 - 1 1/4	25	23.4	20.8	48.1	5.5	28.0	18.2	66.3	75.3	TBD	TBD	2800
SRB 670.xx.3.125.E	137,5	1 - 1 3/8	25	29.9	26.4	53.3	5.5	34.3	25.3	75.5	85.0	TBD	TBD	6380

**NOTE** xx = To be replaced by metric wire size in final part number • TBD = These dimensions vary with wire size

- The dimensions in this table are indicative only. A drawing will always be submitted prior to production and will be the leading document when discussing dimensions.
- Blocks shown here are standard models; inquiries for custom versions are welcome.
- Refer to wire rope manufacturers D/d ratio guideline.
- Hook locking pin included on all blocks 40M ton and higher

Minimum Ultimate Strength = 4 x WLL.



P. O. Box 596 (90748) • 910 Mahar Ave., Wilmington, CA 90744  
 (800) 322-3131 • (310) 522-9698 • Fax: (310) 522-1043  
 E-Mail: sales@watermansupply.com  
 www.watermansupply.com  
 TradeNet ID 61935