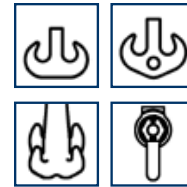
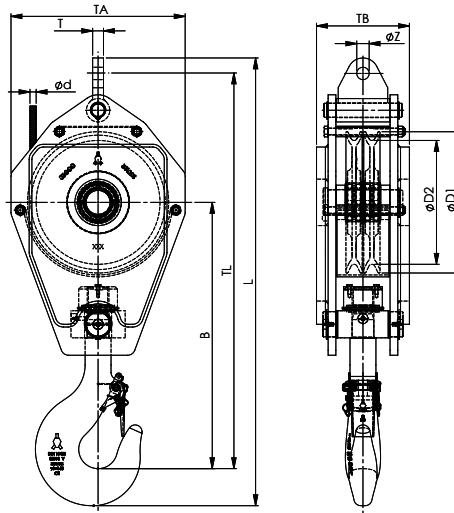




BLOCKS

STANDARD REEVE CRANE BLOCKS

2 SHEAVES



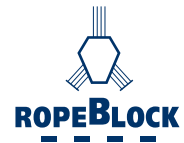
- DOUBLE HOOK
- DOUBLE HOOK WITH SHACKLE HOLE
- QUAD HOOK
- SHACKLE STUD EYE

| MODEL NO. | WLL (UST) | FOR WIRE ØD INCH | HOOK SIZE | DIMENSIONS (INCH) | | | | | | | | | | WEIGHT (LBS) |
|--------------------|-----------|------------------|-----------|-------------------|------|------|-----|------|------|------|------|-----|-----|--------------|
| | | | | ØD1 | ØD2 | B | O | TA | TB | TL | L | T | ØZ | |
| SRB 225.xx.2.16.E | 17,6 | 3/8 - 9/16 | 6 | 11.8 | 10.2 | 23.3 | 2.8 | 15.7 | 6.5 | 34.6 | 39.5 | TBD | TBD | 240 |
| SRB 260.xx.2.16.E | 17,6 | 7/16 - 5/8 | 6 | 11.8 | 10.2 | 23.3 | 2.8 | 15.7 | 6.5 | 34.6 | 39.5 | TBD | TBD | 285 |
| SRB 260.xx.2.20.E | 22 | 7/16 - 5/8 | 8 | 11.8 | 10.2 | 26.7 | 3.1 | 15.7 | 6.5 | 37.9 | 43.1 | TBD | TBD | 285 |
| SRB 285.xx.2.16.E | 17,6 | 1/2 - 3/4 | 6 | 12.6 | 11.0 | 23.9 | 2.8 | 16.5 | 6.5 | 35.7 | 40.7 | TBD | TBD | 210 |
| SRB 285.xx.2.20.EA | 22 | 1/2 - 3/4 | 8 | 12.6 | 11.0 | 26.3 | 3.1 | 16.5 | 6.5 | 38.1 | 43.4 | TBD | TBD | 285 |
| SRB 285.xx.2.20.EB | 22 | 1/2 - 3/4 | 8 | 12.6 | 11.0 | 26.3 | 3.1 | 16.5 | 7.7 | 38.1 | 43.4 | TBD | TBD | 330 |
| SRB 320.xx.2.20.E | 22 | 9/16 - 3/4 | 8 | 14.4 | 12.6 | 27.1 | 3.1 | 17.7 | 7.7 | 39.8 | 45.1 | TBD | TBD | 350 |
| SRB 320.xx.2.22.E | 24 | 9/16 - 3/4 | 8 | 14.4 | 12.6 | 27.1 | 3.1 | 17.7 | 7.9 | 39.8 | 45.6 | TBD | TBD | 350 |
| SRB 320.xx.2.25.E | 27,5 | 9/16 - 3/4 | 8 | 14.4 | 12.6 | 27.1 | 3.1 | 17.7 | 9.4 | 39.8 | 45.1 | TBD | TBD | 450 |
| SRB 355.xx.2.29.E | 32 | 9/16 - 7/8 | 8 | 16.1 | 14.0 | 28.1 | 3.1 | 19.7 | 9.6 | 41.9 | 47.4 | TBD | TBD | 550 |
| SRB 400.xx.2.29.E | 32 | 5/8 - 1 | 8 | 18.1 | 15.7 | 29.3 | 3.1 | 22.4 | 9.8 | 44.4 | 50.1 | TBD | TBD | 705 |
| SRB 450.xx.2.40.E | 45 | 3/4 - 11/8 | 12 | 20.3 | 17.7 | 35.2 | 3.9 | 23.6 | 13.1 | 52.0 | 58.1 | TBD | TBD | 1210 |
| SRB 450.xx.2.50.E | 55 | 3/4 - 11/8 | 16 | 20.3 | 17.7 | 35.2 | 4.4 | 23.6 | 13.1 | 52.0 | 59.6 | TBD | TBD | 1210 |
| SRB 528.xx.2.64.E | 70 | 7/8 - 11/4 | 16 | 23.4 | 20.8 | 39.5 | 4.4 | 28.0 | 15.9 | 58.4 | 65.9 | TBD | TBD | 2155 |
| SRB 528.xx.2.80.E | 88 | 7/8 - 11/4 | 20 | 23.4 | 20.8 | 43.7 | 4.9 | 28.0 | 16.3 | 62.6 | 71.2 | TBD | TBD | 2200 |
| SRB 670.xx.2.100.E | 110 | 1 - 1 3/8 | 20 | 29.9 | 26.4 | 49.5 | 4.9 | 34.3 | 19.8 | 71.7 | 80.6 | TBD | TBD | 4930 |

NOTE xx = To be replaced by metric wire size in final part number TBD = These dimensions vary with wire size

- The dimensions in this table are indicative only. A drawing will always be submitted prior to production and will be the leading document when discussing dimensions.
- Blocks shown here are standard models; inquiries for custom versions are welcome.
- Refer to wire rope manufacturers D/d ratio guideline.
- Hook locking pin included on all blocks 40M ton and higher

Minimum Ultimate Strength = 4 x WLL.



P. O. Box 596 (90748) • 910 Mahar Ave., Wilmington, CA 90744
 (800) 322-3131 • (310) 522-9698 • Fax: (310) 522-1043
 E-Mail: sales@watermansupply.com
 www.watermansupply.com
 TradeNet ID 61935