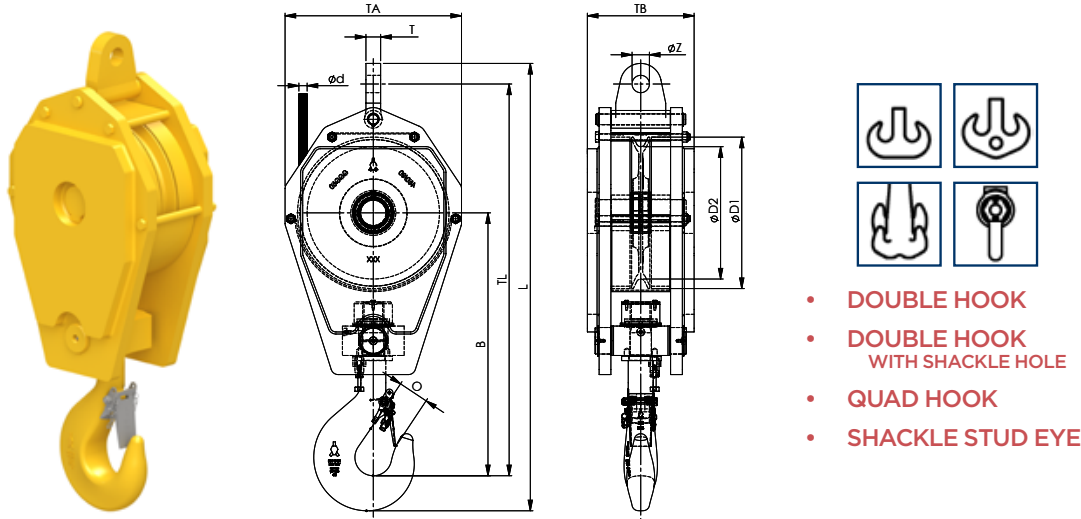




BLOCKS

STANDARD REEVE CRANE BLOCKS

1 SHEAVE



- DOUBLE HOOK
- DOUBLE HOOK WITH SHACKLE HOLE
- QUAD HOOK
- SHACKLE STUD EYE

MODEL NO.	WLL (UST)	FOR WIRE ØD INCH	DIMENSIONS (INCH)										WEIGHT (LBS)
			ØD1	ØD2	B	O	TA	TB	TL	L	T	ØZ	
SRB 225.xx.1.12.5.E	13.75	3/8 - 9/16	10.2	8.9	20.6	2.5	13.6	6.7	31.4	35.9	TBD	TBD	165
SRB 225.xx.1.16.E	17.6	3/8 - 9/16	10.2	8.9	21.6	2.5	13.6	7.1	32.4	36.9	TBD	TBD	220
SRB 260.xx.1.12.5.E	13.75	7/16 - 5/8	11.8	10.2	21.6	2.5	15.7	7.3	32.8	37.3	TBD	TBD	240
SRB 260.xx.1.16.E	17.6	7/16 - 5/8	11.8	10.2	21.6	2.5	15.7	7.3	32.8	37.3	TBD	TBD	240
SRB 285.xx.1.16.E	17.6	1/2 - 3/4	12.6	11.0	23.9	2.8	16.5	6.5	35.7	40.7	TBD	TBD	350
SRB 320.xx.1.16.E	17.6	9/16 - 3/4	14.4	12.6	24.7	2.8	17.7	8.1	37.4	42.6	TBD	TBD	350
SRB 355.xx.1.16.EA	17.6	9/16 - 7/8	16.1	14.0	26.3	2.8	19.7	7.7	39.9	44.8	TBD	TBD	400
SRB 355.xx.1.20.E	22	9/16 - 7/8	16.1	14.0	28.1	3.1	19.7	8.9	41.5	47.4	TBD	TBD	550
SRB 400.xx.1.29.E	32	5/8 - 1	18.1	15.7	29.3	3.1	22.4	9.4	44.4	50.1	TBD	TBD	640
SRB 450.xx.1.32.EA	35	3/4 - 11/8	20.3	17.7	32.8	3.5	23.6	13.8	49.4	56.0	TBD	TBD	1000
SRB 450.xx.1.32.EB	35	3/4 - 11/8	20.3	17.7	32.8	3.5	23.6	16.1	49.4	56.0	TBD	TBD	1300
SRB 528.xx.1.32.EA	35	7/8 - 11/4	23.5	20.8	35.4	3.5	28.0	10.2	53.6	60.2	TBD	TBD	1050
SRB 528.xx.1.32.EB	35	7/8 - 11/4	23.5	20.8	35.4	3.5	28.0	11.8	53.6	60.2	TBD	TBD	1300
SRB 528.xx.1.32.ED	35	7/8 - 11/4	23.5	20.8	35.4	3.5	28.0	18.1	53.6	60.2	TBD	TBD	2000
SRB 450.xx.1.40.E	45	3/4 - 11/8	20.3	17.7	42.3	3.9	23.6	16.1	58.5	65.6	TBD	TBD	1300
SRB 450.xx.1.50.E	55	3/4 - 11/8	20.3	17.7	36.1	3.9	23.8	12.7	52.7	59.7	TBD	TBD	1300
SRB 528.xx.1.50.EB	55	7/8 - 11/4	23.5	20.8	36.8	4.4	28.0	13.9	55.6	63.1	TBD	TBD	1650
SRB 575.xx.1.50.E	55	15/16 - 11/4	25.6	22.6	37.7	4.4	30.3	13.1	57.4	65.4	TBD	TBD	2045
SRB 630.xx.1.64.E	70	1 - 13/8	28.3	24.8	38.8	4.4	32.5	13.9	59.9	68.0	TBD	TBD	2200
SRB 670.xx.1.64.E	70	1 - 11/2	29.9	26.4	46.2	4.4	34.3	18.6	68.4	76.6	TBD	TBD	3000

NOTE xx = To be replaced by metric wire size in final part number TBD = These dimensions vary with wire size

- The dimensions in this table are indicative only. A drawing will always be submitted prior to production and will be the leading document when discussing dimensions.
- Blocks shown here are standard models; inquiries for custom versions are welcome.
- Refer to wire rope manufacturers D/d ratio guideline.
- Hook locking pin included on all blocks 40M ton and higher

Minimum Ultimate Strength = 4 x WLL.



P. O. Box 596 (90748) • 910 Mahar Ave., Wilmington, CA 90744
 (800) 322-3131 • (310) 522-9698 • Fax: (310) 522-1043
 E-Mail: sales@watermansupply.com
 www.watermansupply.com
 TradeNet ID 61935