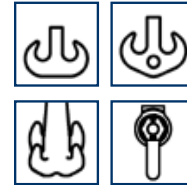
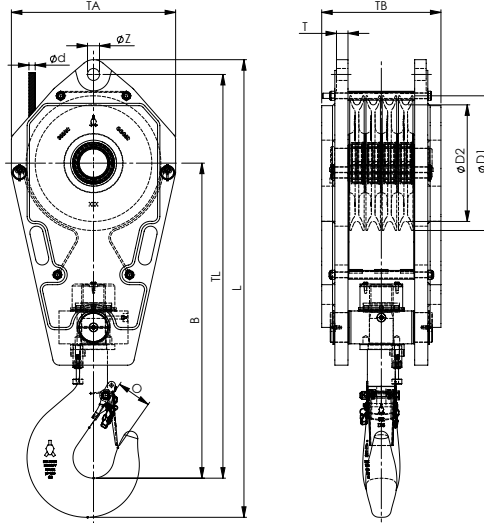




BLOCKS

FAST REEVE CRANE BLOCKS

4 SHEAVES



- DOUBLE HOOK
- DOUBLE HOOK WITH SHACKLE HOLE
- QUAD HOOK
- SHACKLE STUD EYE

MODEL NO.	WLL (UST)	FOR WIRE ØD INCH	HOOK SIZE	DIMENSIONS (INCH)										WEIGHT (LBS)
				ØD1	ØD2	B	O	TA	TB	TL	L	T	ØZ	
FRB 285.xx.4.35.E	38.5	1/2 - 3/4	10	12.6	11.2	29.6	3.5	16.5	11.5	41.9	47.6	TBD	TBD	605
FRB 320.xx.4.37.E	40	9/16 - 3/4	10	14.4	12.6	29.6	3.5	17.7	12.3	39.0	44.8	TBD	TBD	700
FRB 355.xx.4.50.E	55	9/16 - 7/8	12	16.1	14.0	37.8	3.9	19.7	14.3	48.4	54.8	TBD	TBD	1100
FRB 355.xx.4.55.E	60	9/16 - 7/8	12	16.1	14.0	37.8	3.9	19.7	14.3	48.4	54.8	TBD	TBD	1100
FRB 400.xx.4.64.E	70	5/8 - 1	16	18.1	15.7	40.9	4.4	22.4	13.8	52.5	57.7	TBD	TBD	1500
FRB 450.xx.4.64.E	70	3/4 - 11/8	16	20.3	17.7	40.9	4.4	23.6	15.7	57.0	62.2	TBD	TBD	1650
FRB 528.xx.4.64.E	70	7/8 - 1 1/4	16	23.4	20.8	42.4	4.4	28.0	19.8	57.4	64.8	TBD	TBD	2500
FRB 400.xx.4.70.E	77	5/8 - 1	16	18.1	15.7	41.9	4.4	22.4	14.3	53.5	60.6	TBD	TBD	1350
FRB 400.xx.4.70.EA	77	5/8 - 1	16	18.1	15.7	40.9	4.4	22.4	13.8	52.5	57.7	TBD	TBD	1500
FRB 450.xx.4.70.EA	77	3/4 - 11/8	16	20.3	17.7	40.9	4.4	23.6	15.7	57.0	62.2	TBD	TBD	1650
FRB 450.xx.4.70.EB	77	3/4 - 11/8	16	20.3	17.7	43.9	4.4	23.6	18.4	57.1	64.3	TBD	TBD	1800
FRB 450.xx.4.82.E	90	7/8 - 1 1/4	20	20.3	17.7	46.6	4.9	23.6	20.7	61.7	67.6	TBD	TBD	2200
FRB 528.xx.4.82.E	90	7/8 - 1 1/4	20	23.4	20.8	50.1	4.9	28.0	20.7	68.3	74.3	TBD	TBD	2800
FRB 450.xx.4.100.E	110	3/4 - 1 1/8	25	20.3	17.7	49.7	5.5	23.6	24.5	62.9	72.0	TBD	TBD	3200
FRB 528.xx.4.100.EA	110	7/8 - 1 1/4	25	23.4	20.8	50.7	5.5	28.0	18.6	68.6	75.3	TBD	TBD	2800
FRB 528.xx.4.137.E	150	7/8 - 1 1/4	32	23.4	20.8	54.6	6.3	28.0	19.0	69.8	79.9	TBD	TBD	3000
FRB 575.xx.4.100.E	110	7/8 - 1 1/4	25	25.6	22.6	54.3	5.5	30.3	18.2	70.8	79.9	TBD	TBD	3000
FRB 575.xx.4.125.E	137.5	7/8 - 1 1/4	32	25.6	22.6	55.6	6.3	30.3	17.4	74.5	82.0	TBD	TBD	3000
FRB 575.xx.4.137.5.E	150	7/8 - 1 1/4	32	25.6	22.6	55.6	6.3	30.3	17.4	72.2	82.1	TBD	TBD	3000
FRB 630.xx.3.137.5.E	150	1 - 1 3/8	32	28.0	24.8	55.4	6.3	32.7	17.8	73.0	83.3	TBD	TBD	3500
FRB 670.xx.4.137.E	150	1 - 1 1/2	32	29.9	26.4	56.6	6.3	34.3	15.8	75.7	86.0	TBD	TBD	3200
FRB 670.xx.4.160.E	176	1 - 1 1/2	40	29.9	26.4	63.6	7.1	34.3	26.1	85.9	94.2	TBD	TBD	6930

NOTE xx = To be replaced by metric wire size in final part number • TBD = These dimensions vary with wire size

- The dimensions in this table are indicative only. A drawing will always be submitted prior to production and will be the leading document when discussing dimensions.
- Blocks shown here are standard models; inquiries for custom versions are welcome.
- Refer to wire rope manufacturers D/d ratio guideline.
- Hook locking pin included on all blocks 40M ton and higher

Minimum Ultimate Strength = 4 x WLL.



ROPEBLOCK



P. O. Box 596 (90748) • 910 Mahar Ave., Wilmington, CA 90744
 (800) 322-3131 • (310) 522-9698 • Fax: (310) 522-1043
 E-Mail: sales@watermansupply.com
 www.watermansupply.com
 TradeNet ID 61935