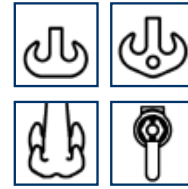
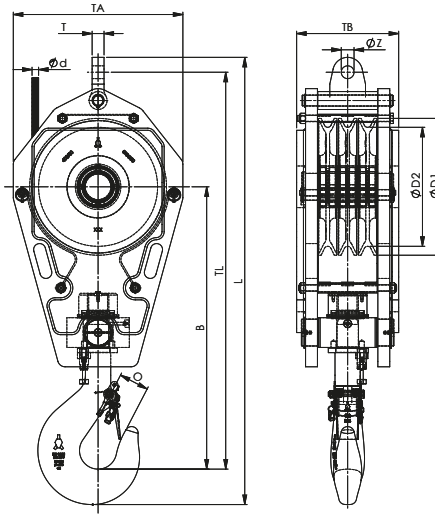




BLOCKS

FAST REEVE CRANE BLOCKS

3 SHEAVES



- DOUBLE HOOK
- DOUBLE HOOK WITH SHACKLE HOLE
- QUAD HOOK
- SHACKLE STUD EYE

MODEL NO.	WLL (UST)	FOR WIRE ØD INCH	HOOK SIZE	DIMENSIONS (INCH)										WEIGHT (LBS)
				ØD1	ØD2	B	O	TA	TB	TL	L	T	ØZ	
FRB 450.xx.3.70.EA	77	3/4 - 11/8	16	20.3	17.7	41.1	4.4	23.6	13.1	57.4	64.6	TBD	TBD	1500
FRB 450.xx.3.70.EB	77	3/4 - 11/8	16	20.3	17.7	41.1	4.4	23.6	14.3	57.4	64.6	TBD	TBD	1700
FRB 450.xx.3.70.EC	77	3/4 - 11/8	16	20.3	17.7	41.1	4.4	23.6	14.7	57.4	64.6	TBD	TBD	1800
FRB 528.xx.3.70.E	77	7/8 - 11/4	16	23.4	20.8	47.6	4.4	28.0	15.1	65.9	73.5	TBD	TBD	2350
FRB 450.xx.3.82.EA	90	3/4 - 11/8	20	20.3	17.7	46.5	4.9	23.6	15.0	62.8	70.7	TBD	TBD	1800
FRB 450.xx.3.82.EB	90	3/4 - 11/8	20	20.3	17.7	46.5	4.9	23.6	18.2	62.8	70.7	TBD	TBD	2200
FRB 528.xx.3.82.E	90	7/8 - 11/4	20	23.4	20.8	50.1	4.9	28.0	16.2	68.3	76.6	TBD	TBD	2500
FRB 528.xx.3.82.EB	90	7/8 - 11/4	20	23.4	20.8	50.1	4.9	28.0	16.2	68.3	76.6	TBD	TBD	2800
FRB 528.xx.3.100.E	110	7/8 - 11/4	25	23.4	20.8	53.7	5.5	28.0	18.2	71.9	80.9	TBD	TBD	3000
FRB 575.xx.3.100.E	110	7/8 - 11/4	25	25.6	22.6	51.3	5.5	30.3	17.0	71.2	80.6	TBD	TBD	3000
FRB 670.xx.3.100.EA	110	1 - 11/2	25	29.9	26.4	55.2	5.5	34.3	14.3	77.5	87.0	TBD	TBD	3000
FRB 670.xx.3.100.EB	110	1 - 11/2	25	29.9	26.4	55.2	5.5	34.3	16.2	77.5	87.0	TBD	TBD	3500
FRB 670.xx.3.100.EC	110	1 - 11/2	25	29.9	26.4	55.2	5.5	34.3	17.8	77.5	87.0	TBD	TBD	4000
FRB 670.xx.3.125.E	137,5	1 - 11/2	25	29.9	26.4	56.2	5.5	34.3	24.5	78.5	87.9	TBD	TBD	6380
FRB 670.xx.3.137.D	150	1 - 11/2	32	29.9	26.4	0.0	6.3	0.0	41.0	0.0	0.0	TBD	TBD	8600

NOTE xx = To be replaced by metric wire size in final part number n TBD = These dimensions vary with wire size

- The dimensions in this table are indicative only. A drawing will always be submitted prior to production and will be the leading document when discussing dimensions.
- Blocks shown here are standard models; inquiries for custom versions are welcome.
- Refer to wire rope manufacturers D/d ratio guideline.
- Hook locking pin included on all blocks 40M ton and higher

Minimum Ultimate Strength = 4 x WLL.



P. O. Box 596 (90748) • 910 Mahar Ave., Wilmington, CA 90744
 (800) 322-3131 • (310) 522-9698 • Fax: (310) 522-1043
 E-Mail: sales@watermansupply.com
 www.watermansupply.com
 TradeNet ID 61935