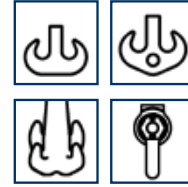
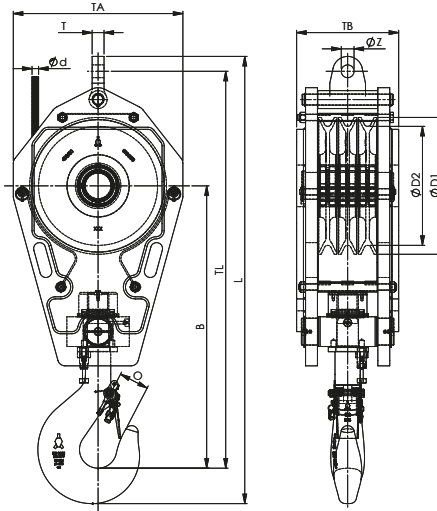




BLOCKS

FAST REEVE CRANE BLOCKS

3 SHEAVES



- DOUBLE HOOK
- DOUBLE HOOK WITH SHACKLE HOLE
- QUAD HOOK
- SHACKLE STUD EYE

MODEL NO.	WLL (UST)	FOR WIRE ØD INCH	HOOK SIZE	DIMENSIONS (INCH)										WEIGHT (LBS)
				ØD1	ØD2	B	O	TA	TB	TL	L	T	ØZ	
FRB 225.xx.3.20.EB	22	3/8 - 9/16	8	10.2	8.9	28.3	3.1	13.6	7.1	39.1	44.4	TBD	TBD	410
FRB 260.xx.3.20.EB	22	7/16 - 5/8	8	11.8	10.2	28.5	3.1	15.7	8.7	40.1	45.4	TBD	TBD	410
FRB 260.xx.3.25.E	27.5	7/16 - 5/8	8	11.8	10.2	27.5	3.1	15.7	10.2	39.1	44.4	TBD	TBD	465
FRB 285.xx.3.29.EB	32	1/2 - 3/4	10	12.6	11.0	27.7	3.5	16.5	10.2	39.9	45.2	TBD	TBD	460
FRB 320.xx.3.29.EA	32	9/16 - 3/4	8	14.4	12.6	30.0	3.1	17.7	8.7	43.1	48.5	TBD	TBD	460
FRB 320.xx.3.29.EB	32	9/16 - 3/4	8	14.4	12.6	30.0	3.1	17.7	9.1	43.1	48.5	TBD	TBD	495
FRB 260.xx.3.32.E	35	7/16 - 5/8	10	11.8	10.2	28.9	3.5	15.7	9.4	40.5	46.3	TBD	TBD	465
FRB 260.xx.3.32.EA	35	7/16 - 5/8	10	11.8	10.2	28.9	3.5	15.7	10.4	40.5	46.3	TBD	TBD	525
FRB 285.xx.3.32.EB	35	1/2 - 3/4	10	12.6	11.0	30.0	3.5	16.5	9.4	42.2	48.0	TBD	TBD	505
FRB 355.xx.3.35.EA	38.5	9/16 - 7/8	10	16.1	14.0	34.0	3.5	19.7	9.4	47.6	53.5	TBD	TBD	700
FRB 355.xx.3.35.EB	38.5	9/16 - 7/8	10	16.1	14.0	34.0	3.5	19.7	10.6	47.6	53.5	TBD	TBD	825
FRB 355.xx.3.37.EA	40	9/16 - 7/8	10	16.1	14.0	34.0	3.5	19.7	9.4	47.6	53.5	TBD	TBD	700
FRB 355.xx.3.37.EB	40	9/16 - 7/8	10	16.1	14.0	34.0	3.5	19.7	11.0	47.6	53.5	TBD	TBD	825
FRB 360.xx.3.40.E	45	5/8 - 7/8	12	16.5	14.2	35.4	3.9	20.1	13.5	49.4	55.8	TBD	TBD	1000
FRB 360.xx.3.41.E	45	5/8 - 7/8	12	16.5	14.2	35.4	3.9	20.1	11.9	49.3	55.8	TBD	TBD	900
FRB 400.xx.3.40.E	45	5/8 - 1	12	18.1	15.7	36.5	3.9	22.4	13.5	52.1	58.5	TBD	TBD	1000
FRB 360.xx.3.50.E	55	5/8 - 7/8	12	16.5	14.2	35.4	3.9	20.1	15.8	49.4	56.3	TBD	TBD	1200
FRB 400.xx.3.50.EA	55	5/8 - 1	12	18.1	15.7	37.4	3.9	22.4	13.5	52.1	59.1	TBD	TBD	1100
FRB 400.xx.3.50.EB	55	5/8 - 1	12	18.1	15.7	37.4	3.9	22.4	13.5	52.1	59.3	TBD	TBD	1200
FRB 360.xx.3.55.EA	60	5/8 - 7/8	12	16.5	14.2	35.4	3.9	20.1	11.9	49.3	55.8	TBD	TBD	900
FRB 360.xx.3.55.EB	60	5/8 - 7/8	12	16.5	14.2	35.4	3.9	20.1	15.4	49.3	55.8	TBD	TBD	1200
FRB 400.xx.3.55.EA	60	5/8 - 1	12	18.1	15.7	37.4	3.9	22.4	13.5	52.1	59.1	TBD	TBD	1100
FRB 400.xx.3.55.EB	55	5/8 - 1	12	18.1	15.7	37.4	3.9	22.4	13.5	52.1	59.3	TBD	TBD	1200
FRB 450.xx.3.64.EA	70	3/4 - 11/8	16	20.3	17.7	40.9	4.4	23.6	13.1	57.2	64.8	TBD	TBD	1500
FRB 450.xx.3.64.EB	70	3/4 - 11/8	16	20.3	17.7	40.9	4.4	23.6	14.3	57.2	64.8	TBD	TBD	1600

NOTE xx = To be replaced by metric wire size in final part number • TBD = These dimensions vary with wire size

- The dimensions in this table are indicative only. A drawing will always be submitted prior to production and will be the leading document when discussing dimensions.
- Blocks shown here are standard models; inquiries for custom versions are welcome.
- Refer to wire rope manufacturers D/d ratio guideline.
- Hook locking pin included on all blocks 40M ton and higher

Minimum Ultimate Strength = 4 x WLL.



P. O. Box 596 (90748) • 910 Mahar Ave., Wilmington, CA 90744
 (800) 322-3131 • (310) 522-9698 • Fax: (310) 522-1043
 E-Mail: sales@watermansupply.com
 www.watermansupply.com
 TradeNet ID 61935