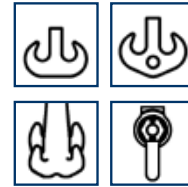
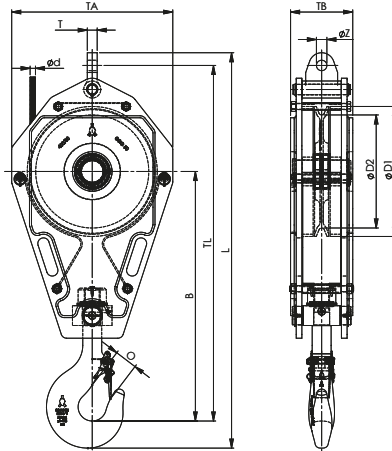




BLOCKS

FAST REEVE CRANE BLOCKS

1 SHEAVE



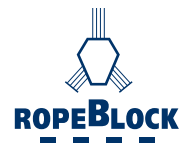
- DOUBLE HOOK
- DOUBLE HOOK WITH SHACKLE HOLE
- QUAD HOOK
- SHACKLE STUD EYE

MODEL NO.	WLL (UST)	WIRE ROPE	DIMENSIONS (INCH)										WEIGHT (LBS)
			øD1	øD2	B	O	TA	TB	TL	L	T	øZ	
FRB 225.xx.1.12.5.E	13.75	3/8 - 9/16	10.2	8.9	23.1	2.2	13.6	6.7	34.0	38.2	TBD	TBD	195
FRB 260.xx.1.12.5.E	13.75	7/16 - 5/8	11.8	10.2	25.7	2.2	15.7	6.1	36.9	41.9	TBD	TBD	220
FRB 225.xx.1.16.E	17.6	3/8 - 9/16	10.2	8.9	23.9	2.8	13.6	7.1	34.8	39.7	TBD	TBD	225
FRB 260.xx.1.16.E	17.6	7/16 - 5/8	11.8	10.2	27.3	2.8	15.7	6.5	38.5	43.4	TBD	TBD	265
FRB 285.xx.1.16.E	17.6	1/2 - 3/4	12.6	11.2	28.5	2.8	16.5	6.5	40.3	45.2	TBD	TBD	350
FRB 320.xx.1.16.E	17.6	9/16 - 3/4	14.4	12.6	28.7	2.8	17.7	7.1	41.8	46.7	TBD	TBD	350
FRB 355.xx.1.16.E.A	17.6	9/16 - 7/8	16.1	14.0	31.0	2.8	19.7	7.7	44.6	49.7	TBD	TBD	400
FRB 355.xx.1.16.E.B	17.6	9/16 - 7/8	16.1	14.0	31.0	2.8	19.7	8.5	44.6	49.7	TBD	TBD	500
FRB 260.xx.1.20.E	22	7/16 - 5/8	11.8	10.2	29.4	3.1	15.7	6.5	40.7	46.0	TBD	TBD	285
FRB 285.xx.1.20.E	22	1/2 - 3/4	12.6	11.2	30.6	3.1	16.5	6.5	42.4	47.8	TBD	TBD	350
FRB 320.xx.1.20.E	22	9/16 - 3/4	14.4	12.6	30.2	3.1	17.7	7.1	43.3	48.7	TBD	TBD	350
FRB 355.xx.1.20.EA	22	9/16 - 7/8	16.1	14.0	33.6	3.1	19.7	8.9	47.2	52.7	TBD	TBD	550
FRB 355.xx.1.20.EB	22	9/16 - 7/8	16.1	14.0	33.6	3.1	19.7	8.9	47.2	52.7	TBD	TBD	660
FRB 355.xx.1.25.EA	27.5	9/16 - 7/8	16.1	14.0	33.4	3.1	19.7	8.9	47.0	52.2	TBD	TBD	550
FRB 355.xx.1.25.EB	27.5	9/16 - 7/8	16.1	14.0	33.4	3.1	19.7	11.2	47.0	52.2	TBD	TBD	750
FRB 400.xx.1.25.EA	27.5	5/8 - 1	18.1	15.7	34.8	3.1	22.4	8.7	49.5	55.0	TBD	TBD	630
FRB 400.xx.1.25.EB	27.5	5/8 - 1	18.1	15.7	34.8	3.1	22.4	9.5	49.5	55.2	TBD	TBD	700
FRB 400.xx.1.25.EC	27.5	5/8 - 1	18.1	15.7	34.8	3.1	22.4	10.2	49.5	55.1	TBD	TBD	750
FRB 400.xx.1.25.ED	27.5	5/8 - 1	18.1	15.7	34.8	3.1	22.4	16.5	49.5	54.7	TBD	TBD	1320
FRB 400.xx.1.29.EB	32	5/8 - 1	18.1	15.7	34.8	3.1	22.4	10.6	49.9	55.6	TBD	TBD	800
FRB 450.xx.1.29.EA	32	3/4 - 11/8	20.3	17.7	37.3	3.1	23.6	7.9	51.4	59.3	TBD	TBD	650
FRB 450.xx.1.29.EB	32	3/4 - 11/8	20.3	17.7	37.3	3.1	23.6	9.1	51.4	59.3	TBD	TBD	800
FRB 450.xx.1.32.EA	35	3/4 - 11/8	20.3	17.7	39.5	3.5	23.6	9.8	55.7	61.9	TBD	TBD	1000
FRB 450.xx.1.32.EB	35	3/4 - 11/8	20.3	17.7	39.5	3.5	23.6	13.1	56.1	62.7	TBD	TBD	1320
FRB 450.xx.1.32.EA	35	3/4 - 11/8	20.3	17.7	39.5	3.5	23.6	9.8	56.1	62.7	TBD	TBD	990
FRB 528.xx.1.32.EA	35	7/8 - 11/4	23.4	20.8	40.5	3.5	28.0	8.7	58.7	65.3	TBD	TBD	1000
FRB 528.xx.1.32.E-1	35	7/8 - 11/4	23.4	20.8	40.5	3.5	28.0	9.5	58.7	65.3	TBD	TBD	1100
FRB 528.xx.1.32.EB	35	7/8 - 11/4	23.4	20.8	40.5	3.5	28.0	10.6	58.7	65.3	TBD	TBD	1320

NOTE xx = To be replaced by metric wire size in final part number • TBD = These dimensions vary with wire size

- The dimensions in this table are indicative only. A drawing will always be submitted prior to production and will be the leading document when discussing dimensions.
- Blocks shown here are standard models; inquiries for custom versions are welcome.
- Refer to wire rope manufacturers D/d ratio guideline.
- Hook locking pin included on all blocks 40M ton and higher

Minimum Ultimate Strength = 4 x WLL.



P. O. Box 596 (90748) • 910 Mahar Ave., Wilmington, CA 90744
 (800) 322-3131 • (310) 522-9698 • Fax: (310) 522-1043
 E-Mail: sales@watermansupply.com
 www.watermansupply.com
 TradeNet ID 61935